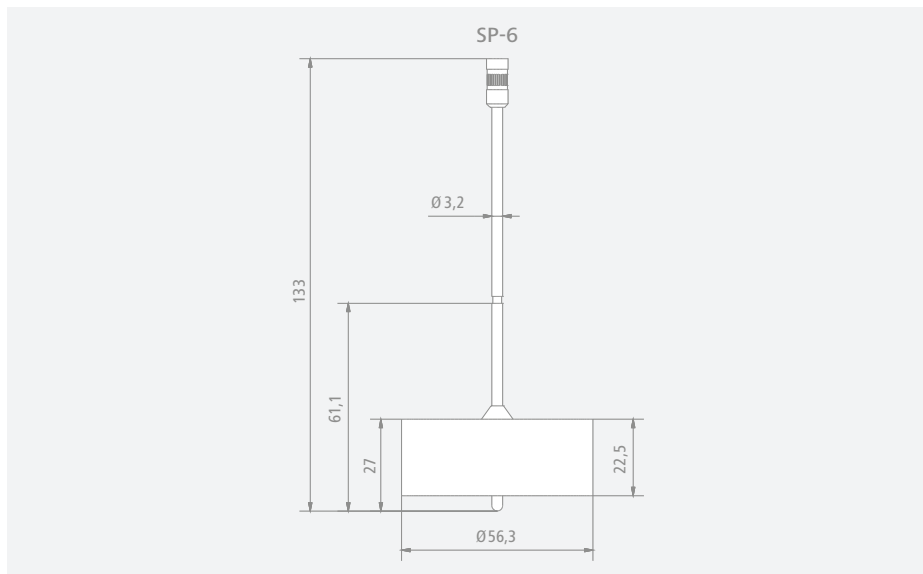


IKA

designed for scientists

SP-6

/// Spindle dimensions (mm)



/// Full-scale range based on speed: 1... 200 rpm

Spindle	lo-vi		me-vi		hi-vi I		hi-vi II	
	<i>M%</i>		<i>M%</i>		<i>M%</i>		<i>M%</i>	
	<u>100</u>	<u>100</u>	<u>100</u>	<u>100</u>	<u>100</u>	<u>100</u>	<u>100</u>	<u>100</u>
	Min.	Max.	Min.	Max.	Min.	Max.	Min.	Max.
SP-6	15	937.3	200	10000	400	20000	1600	80000
<i>rpm</i>	<u>200</u>	<u>1</u>	<u>200</u>	<u>1</u>	<u>200</u>	<u>1</u>	<u>200</u>	<u>1</u>

/// Measuring range base on speed: 0.1... 100 rpm

Spindle	lo-vi		me-vi		hi-vi I		hi-vi II	
	<i>M%</i>		<i>M%</i>		<i>M%</i>		<i>M%</i>	
	<u>10</u>	<u>100</u>	<u>10</u>	<u>100</u>	<u>10</u>	<u>100</u>	<u>10</u>	<u>100</u>
	Min.	Max.	Min.	Max.	Min.	Max.	Min.	Max.
SP-6	15	9373	100	100000	200	200000	800	800000
<i>rpm</i>	<u>100</u>	<u>0.1</u>	<u>100</u>	<u>0.1</u>	<u>100</u>	<u>0.1</u>	<u>100</u>	<u>0.1</u>



designed for scientists

IKA-Werke GmbH & Co. KG

Janke & Kunkel-Straße 10, 79219 Staufen, Germany
Phone: +49 7633 831-0, Fax: +49 7633 831-98
eMail: sales@ika.de

USA

IKA Works, Inc.
Phone: +1 910 452-7059
eMail: usa@ika.net

KOREA

IKA Korea Ltd.
Phone: +82 2 2136 6800
eMail: sales-lab@ika.kr

BRAZIL

IKA Brasil
Phone: +55 19 3772 9600
eMail: sales@ika.net.br

MALAYSIA

IKA Works (Asia) Sdn Bhd
Phone: +60 3 6099-5666
eMail: sales.lab@ika.my

CHINA

IKA Works Guangzhou
Phone: +86 20 8222 6771
eMail: info@ika.cn

POLAND

IKA Poland Sp. z o.o.
Phone: +48 22 201 99 79
eMail: sales.poland@ika.com

JAPAN

IKA Japan K.K.
Phone: +81 6 6730 6781
eMail: info_japan@ika.ne.jp

INDIA

IKA India Private Limited
Phone: +91 80 26253 900
eMail: info@ika.in

UNITED KINGDOM

IKA England LTD.
Phone: +44 1865 986 162
eMail: sales.english@ika.com

VIETNAM

IKA Vietnam Company Limited
Phone: +84 28 38202142
eMail: sales.lab-vietnam@ika.com

Discover and order the fascinating products of IKA online:
www.ika.com



IKAworlwide



IKAworlwide /// #lookattheblue



@IKAworlwide

Technical specifications may be changed without prior notice.