

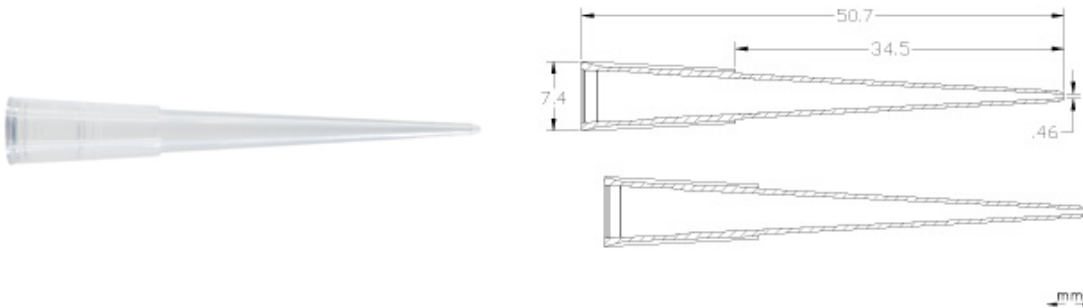


Product Data Sheet

SLS5038

SLS Select Filter Tips

200 µl (1-200 µl)



Catalog #	Description
SLS5038	Yellow, Polypropylene

Packaging Type	Packaging Details
Bulk Tips	Non-Sterile, Bulk, 1,000 Tips/Bag, 30 Bags/Case , Bulk Pack

Attributes



Certified Human DNA Free
Certified PCR Inhibitor Free
Certified Pyrogen Free

Volume Range: 1-200 µl
Grad Lines: No Graduations