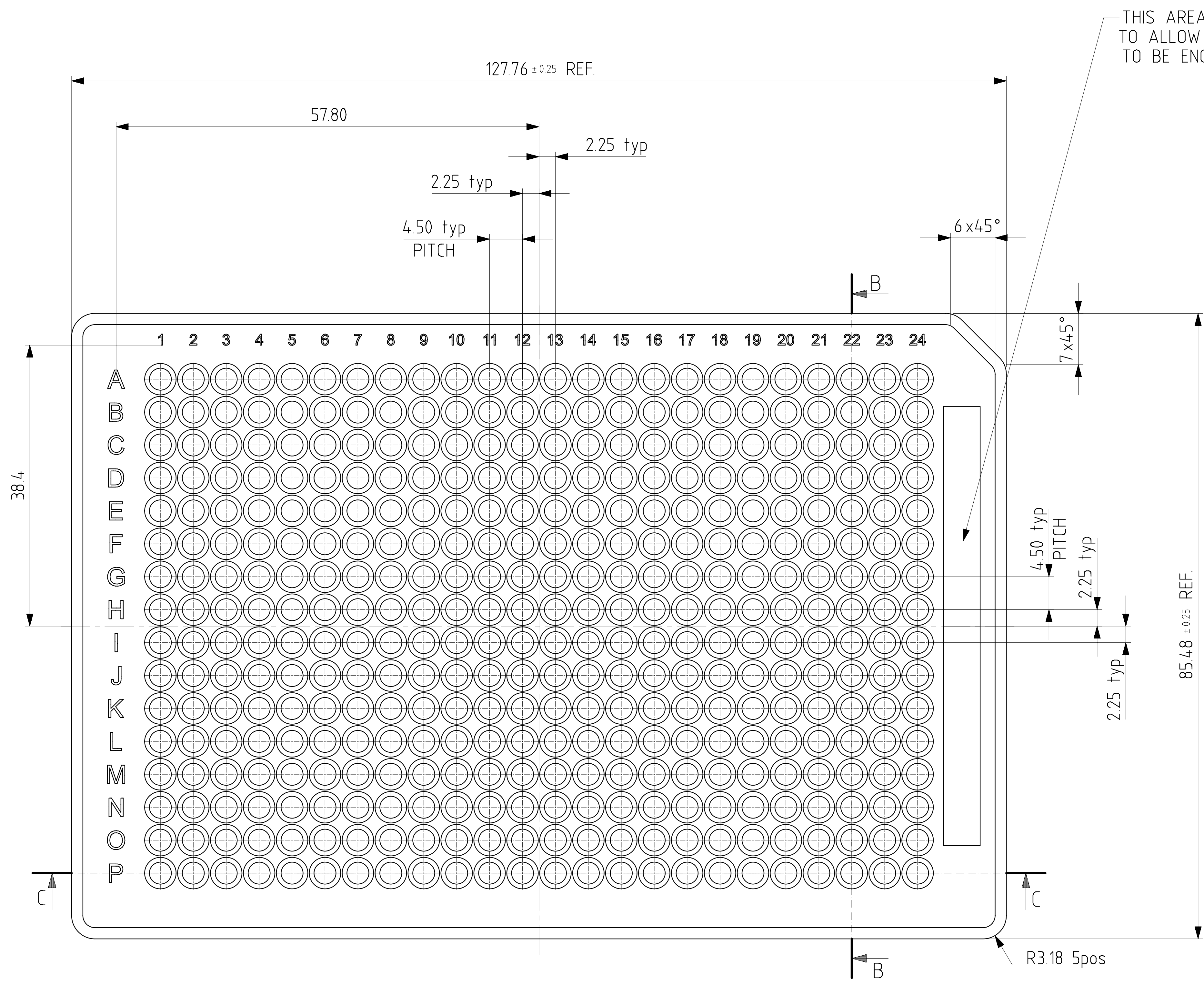
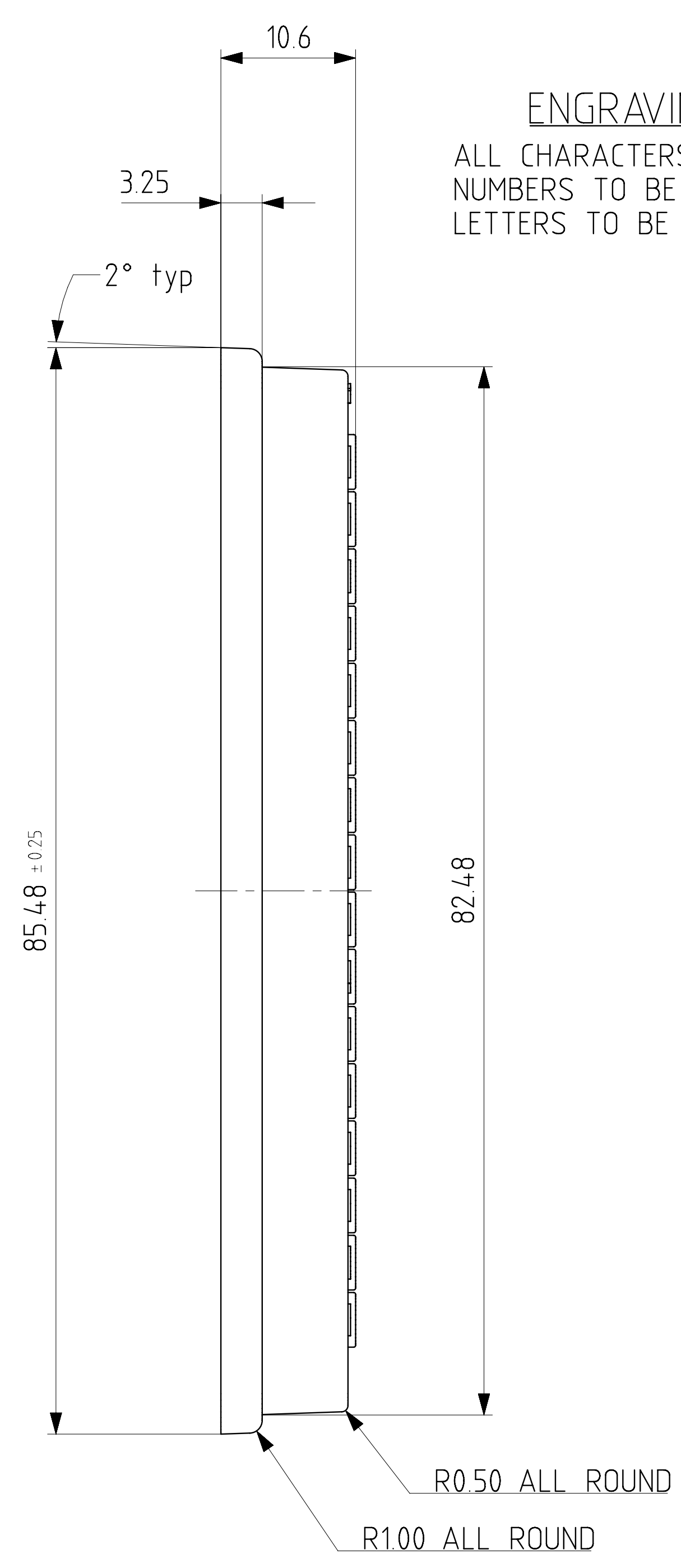
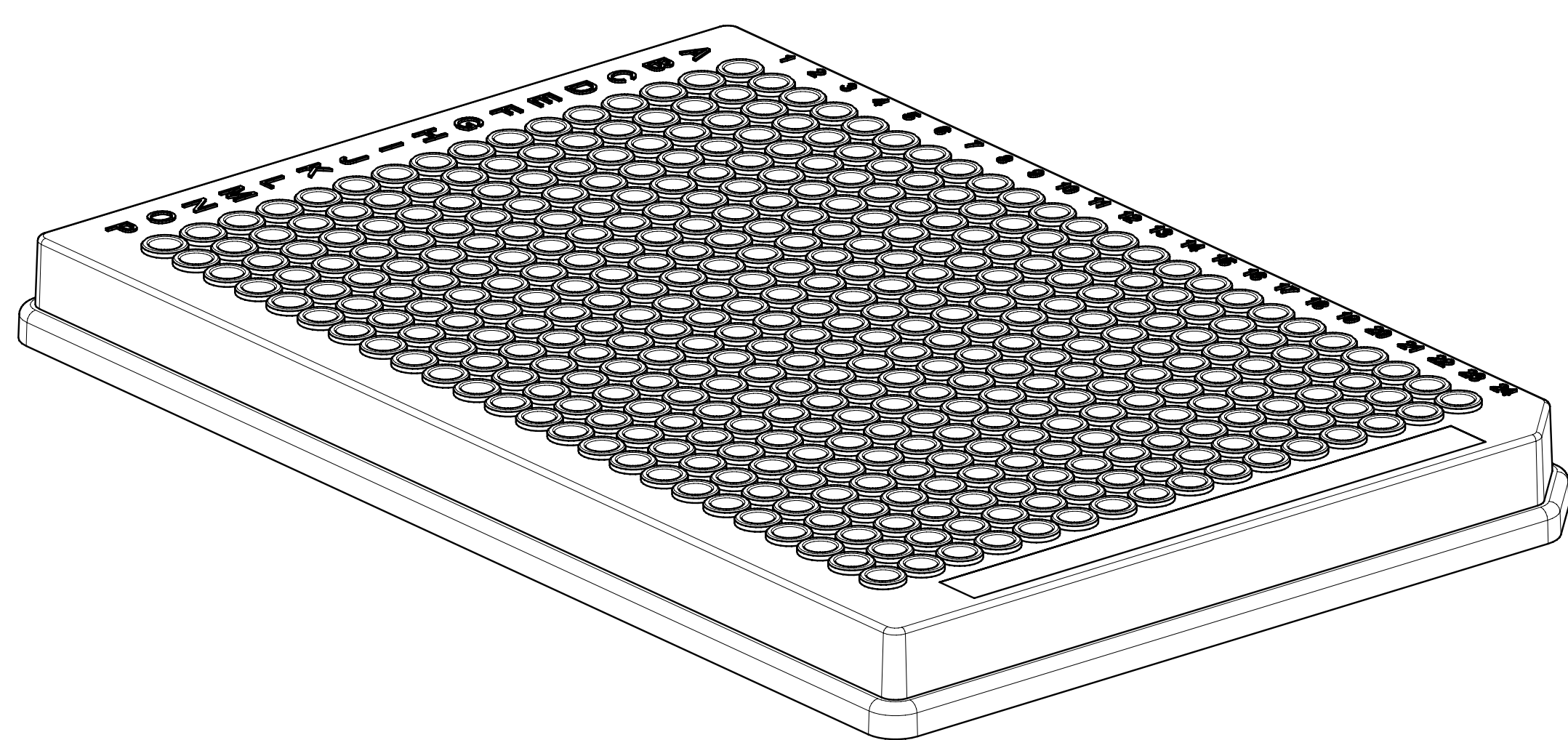
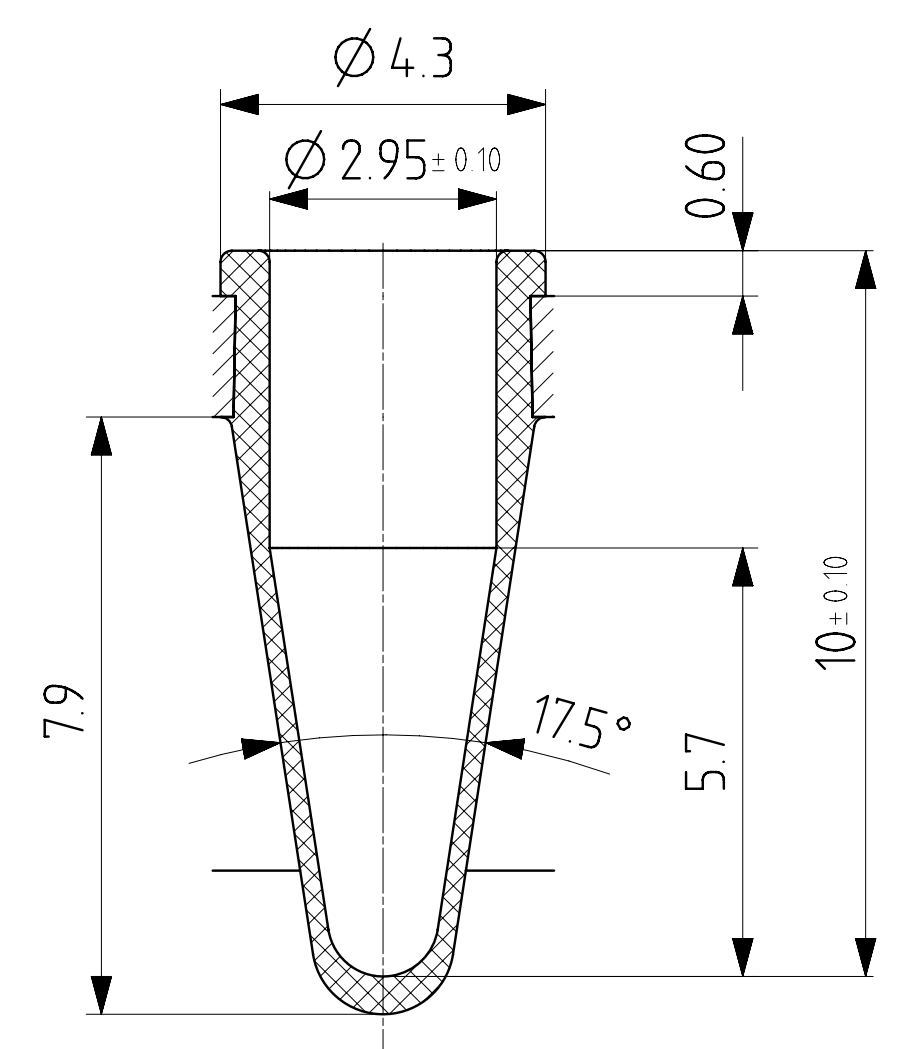
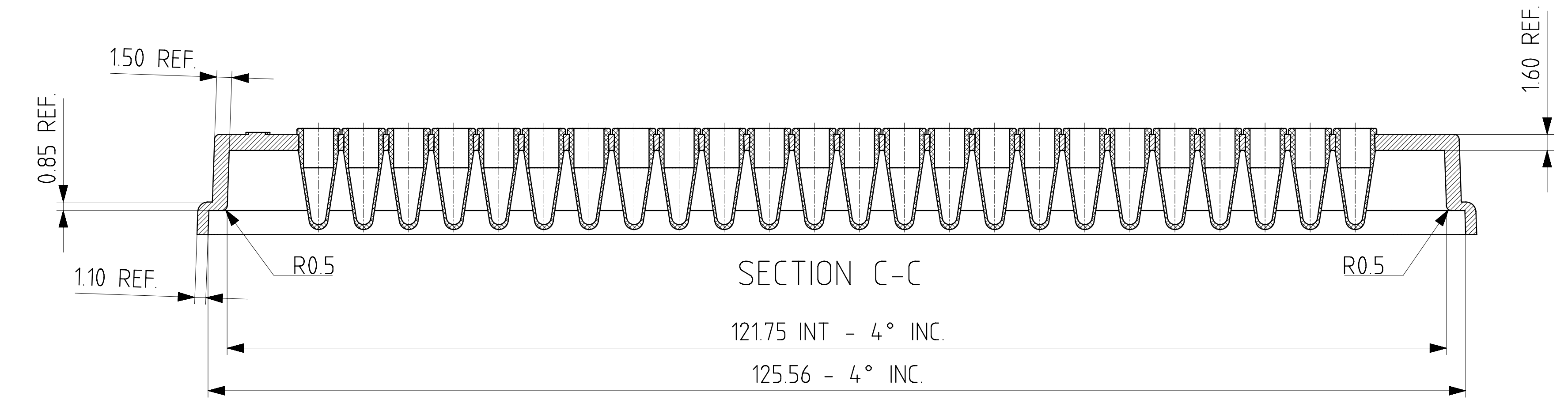
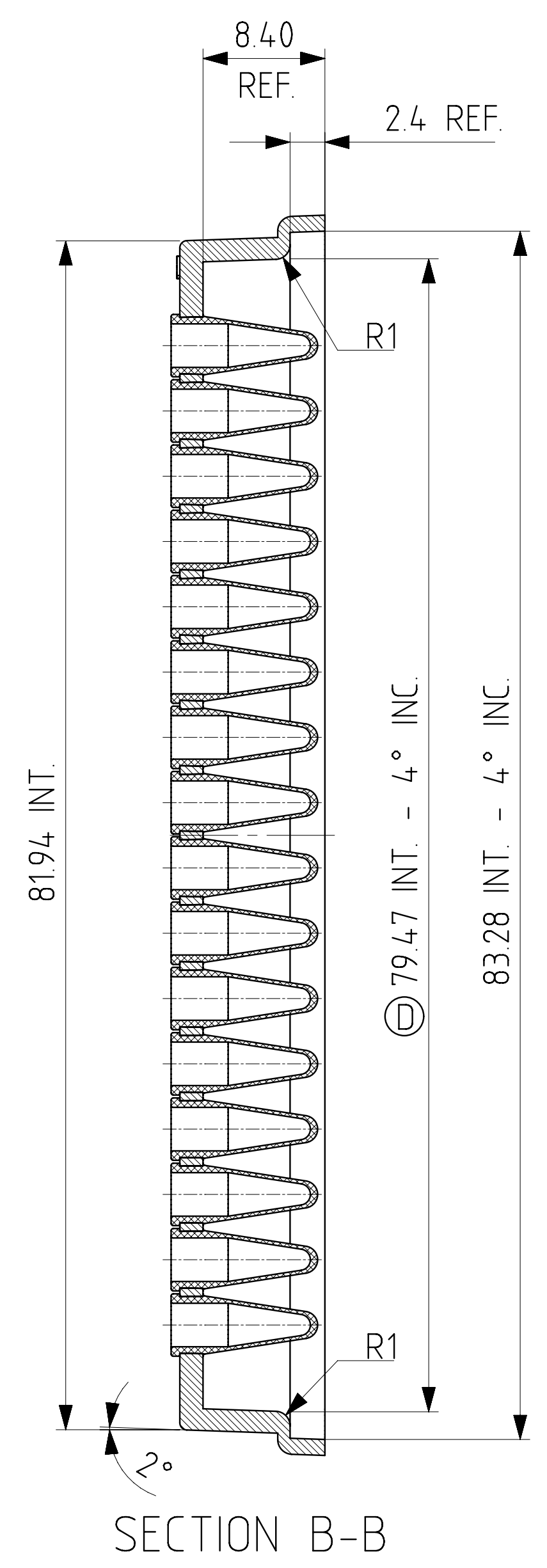


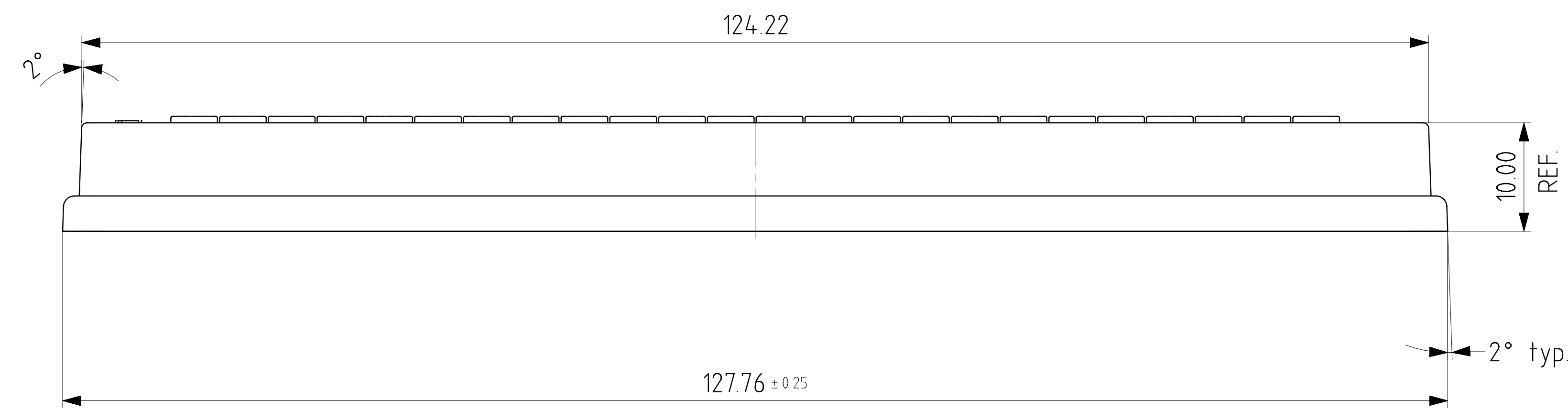
This drawing and/or any technical information relating to it is issued in strict confidence and may not be reproduced or used for manufacture without written permission. Sign reveal of which it is the users responsibility to seek confirmation of any dimensions and production tolerances.



THIS AREA TO BE INSERTED ON THE TOOL TO ALLOW THE CUSTOMERS NAME TO BE ENGRAVED IF REQUESTED



M 2:1



Code	Description	Plates/Case
4ti-0384	FrameStar® 384well PCR plate, clear wells, purple frame	50
4ti-0384/B	FrameStar® 384well PCR plate, clear wells, blue frame	50
4ti-0384/C	FrameStar® 384well PCR plate, clear wells, clear frame	50
4ti-0384/G	FrameStar® 384well PCR plate, clear wells, green frame	50
4ti-0384/R	FrameStar® 384well PCR plate, clear wells, red frame	50
4ti-0384/X	FrameStar® 384well PCR plate, clear wells, black frame	50
4ti-0385	FrameStar® 384well PCR plate, white wells, black frame	50
4ti-0386	FrameStar® 384well PCR plate, black wells, black frame	50

ISSUE	DATE	AMENDMENT	ISSUE	DATE	AMENDMENT



DO NOT SCALE
 IF IN DOUBT ASK

CUSTOMER
 CUSTOMER DRG No
 MATERIAL FRAME Polycarbonate, TUBES Polypropylene
 TOLERANCES
 GENERAL TOLERANCES (UNLESS OTHERWISE STATED)
 0 ± 0.10
 0.05 ± 0.05
 0.10 ± 0.05
 ANGULAR ± 0.3°
 (ALL DIMENSIONS IN MILLIMETRES)

DRAWN ZOLTAN E
 DATE 14.10.2014
 CHECKED JAMES B.
 DATE
 SCALE

TITLE
FrameStar 384
 Marketing drawing
 DRAWING No 4ti-0384-NF
 SHEET No 1 OF 1
 ISSUE E