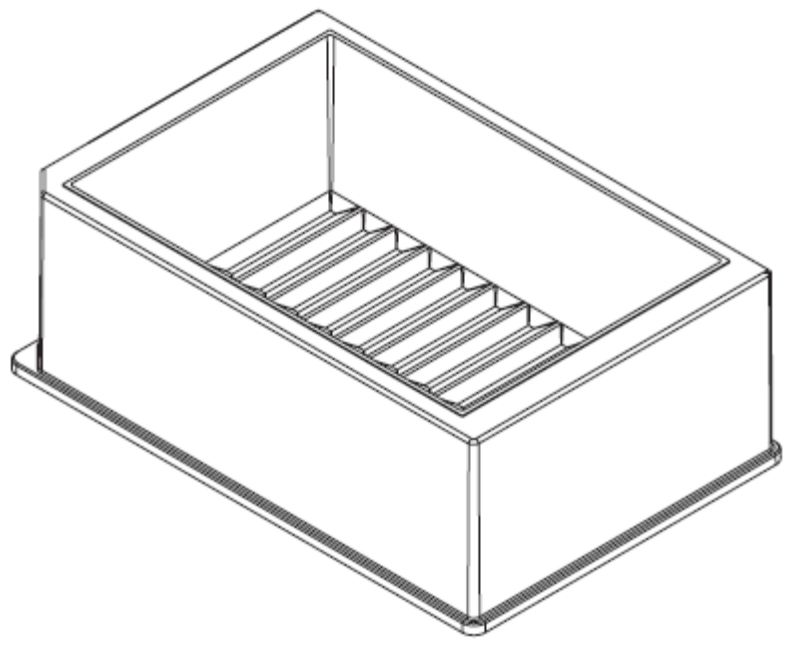
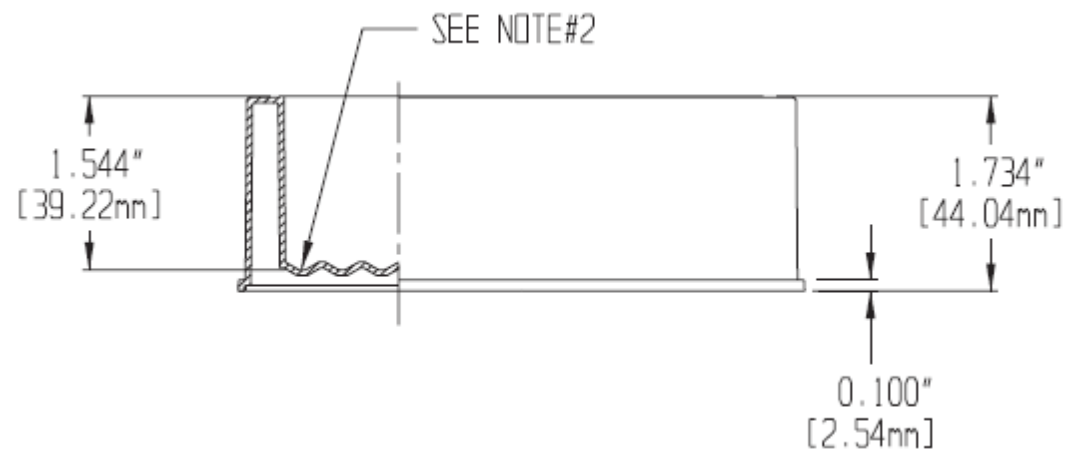
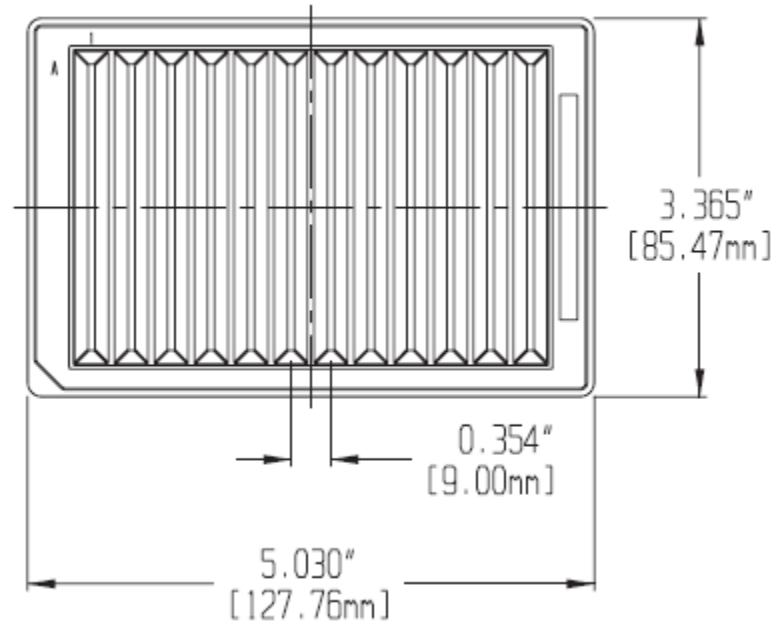
	<b>Identification number</b> QC - 0352	
	<b>Title</b> Technical Drawing 4ti-0133	
	<b>Revision</b> 001	<b>Effective date</b> 22/07/2014
	<b>Document owned by</b> QC	<b>Page</b> 1



- NOTES:
1. MAX VOLUME OF RESERVOIR 290 ml
  2. MAX VOLUME OF COLUMN 0.540 ml