



Technical Data Sheet
Thermo Scientific Ultra-Low Temperature Freezer
 Upright Model Release - 81
 Thermo Fisher Scientific, Asheville, North Carolina

ENERGY STAR® MDEC
 (Maximum Daily Energy Consumption)



0.36 kW-hr/day/cuft

Model Number

Thermo Scientific TSX70086V

Application, Rating and Electrical Data

Application	Storage of General (non-flammable) Laboratory Materials
Storage Volume	33.5 cu. ft. (949 liters), 700 Standard 2" Boxes
Temperature Rating	-50°C to -86°C
Electrical Power	230V, 50, 1 Phase
Instrument Rated Current	6.1 AMP
Building Supply Rating	10.0A dedicated grounded circuit
Power Plug / Power Cord	Country Dependant plug / IEC Cords, 10 ft (3.05 m)
Agency Listings	UL, cUL, CE
Application Environment	Non-Corrosive, Non-Flammable, Non-Explosive Indoor Use Only, Ventilated 15 - 32°C (59 - 90°F)

Dimensions and Construction

Interior Dimensions (H x D x W)	51.2 x 27 x 40.1 in. (1300 x 686 x 1019 mm)
Exterior Dimensions (H x D x W)	78 x 37.8 x 45.2 in. (1981 x 960 x 1148 mm)
Shipping Dimensions	83.12 x 42.75 x 51.13 in. (2111 x 1086 x 1299 mm)
Shipping Weight / Net Weight	869 lbs. (304 kg) / 753 lbs. (341 kg)
Insulation	Vacuum Insulation Panels with High-Density Water-Blown Polyurethane Foam
Door Seal	Silicone-Based Gasket Seal with Electrical Door Perimeter Heater
Shelves	3 Stainless Steel Adjustable Shelves in 1" (25mm) Increments
Shelf Capacity	Max. Capacity per Shelf: 285 lbs. (128 kg)
Interior / Exterior Material	Painted Steel (Stainless Steel Option) / Painted Steel
All-Direction Casters	Standard with Locks
Other Options	LN2 or CO2 Back Up System HID Controlled Access, Chart Recorder

Electrical System Configuration

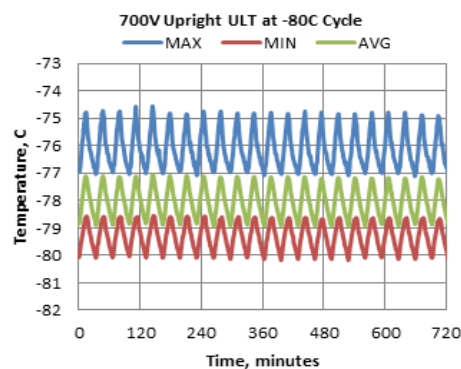
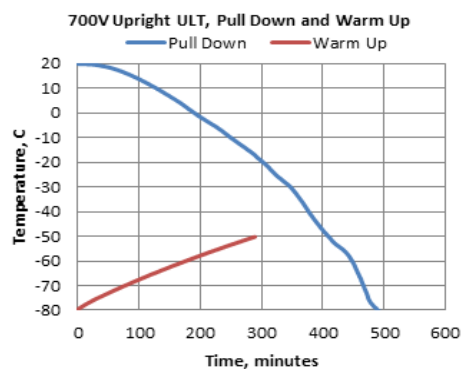
Controller Level	Top
Power Switch	(Front) Soft-touch / (Rear) Main Circuit Breaker
Controller Type	Capacitive Touch Screen Input and Display with USB Data Retrieval
Setpoint Security	Yes
Compressor Safe Guard	High Temp Cutout Switch, Current, Logic protection
Control Sensor	Single RTD (1000 ohm Platinum RTD)
Connectivity / Remote Outputs	Wi-Fi Enabled, RS485/4-20mA output
Thermo Fisher Cloud	InstrumentConnect™ Remote Monitoring
Adjustable Warm/Cold Alarms	Fully Adjustable
Auto-Voltage Safeguard	Buck/Boost System

Refrigeration Configuration

Refrigeration System	Two Stage Cascade System
Compressor/Number	Industrial Rated, Hermetically Sealed / 2
Compressor Capacity*	525W (max). VCC
Condenser Type	Enhanced Micro-Channel and Forced-Air Cooled
Expansion Device	Capillary Tube
Evaporator Type	Enhanced Cold Wall Design
Defrost Method	Manual Defrost
Refrigerant (1st/2nd Stage)	R290 / R170+R290 Mix
Environmental Effects	GWP: 3 (R290) / 6 (R170) ODP: 0 (R290); 0 (R170)
Flammable	Yes

Typical Performance Characteristics in 20 °C Ambient

Standard Performance Mode	Energy Consumption (kW-hr/day)	9.5
	Heat Rejection Rate (Btu/hr)	1354
	Peak Variation from Setpoint (°C)	+7.8 / +2.2
High Performance Mode	Energy Consumption (kW-hr/day)	11.7
	Heat Rejection Rate (Btu/hr)	1664
	Peak Variation from Setpoint (°C)	+5.4 / -0.2
	Sound (dBA)	48.0
	1-min Door Opening Recovery to -75°C (min)	28
	Average Uniformity at -80°C (°C)	3.2
	Average Stability at -80°C (°C)	2.0
	Pull Down Time (to -80°C) (hrs)	8.6
	Warm Up Time (-80°C to -50°C) (min)	289

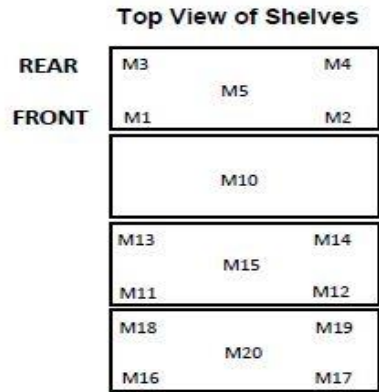


- 1) Performance is nominal and individual units may vary.
- 2) Freezer performance will differ due to product amount, product size and operating conditions.
- 3) Continuous product enhancements may, without notice, result in amendments or omissions to this specification. Thermo Scientific cannot accept responsibility for damage, injury, loss or expenses resulting from misapplication of the information herein.

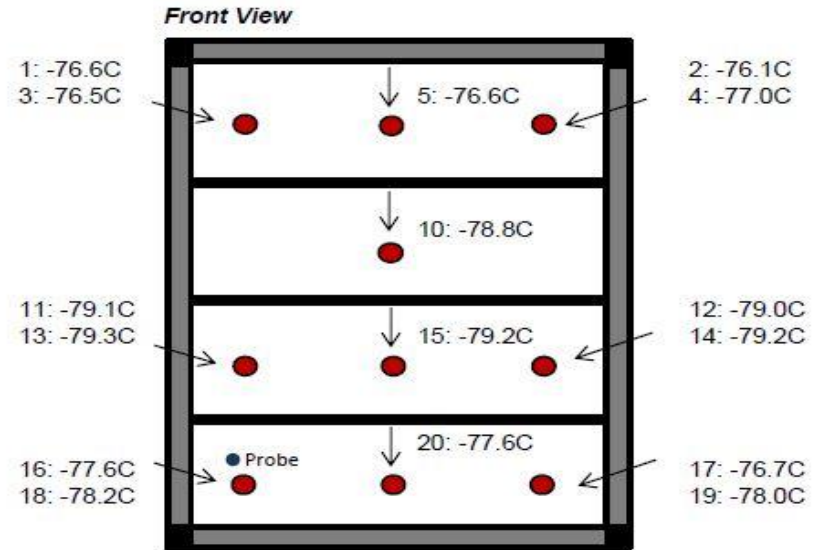
* Manufacturer measured compressor capacity taken at standard -35°C/40°C (Evap/Cond) condition.

© 2018 Thermo Fisher Scientific Inc. All rights reserved. All trademarks are the property of Thermo Fisher Scientific Inc. and its subsidiaries. Specifications, terms and pricing are subject to change.

Not all products are available in all countries. Please consult your local sales representative for details.



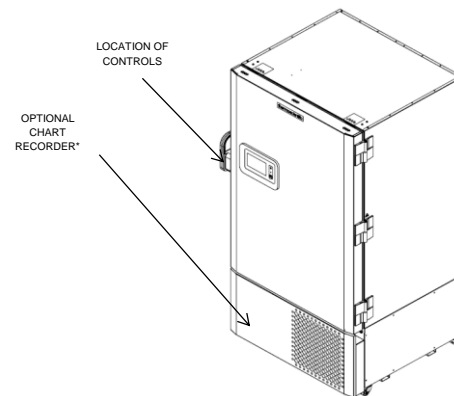
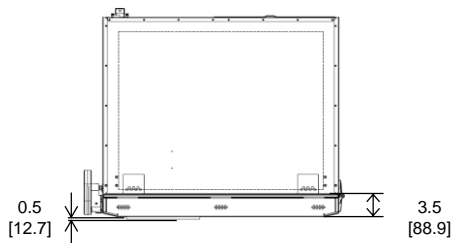
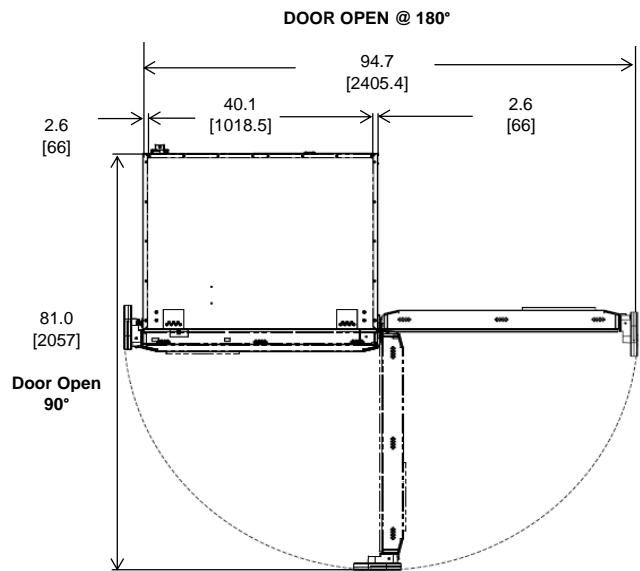
Cabinet Average: -78.0 C
Probe Average: -79.2 C
Peak Variation: +5.4 C / -0.2 C



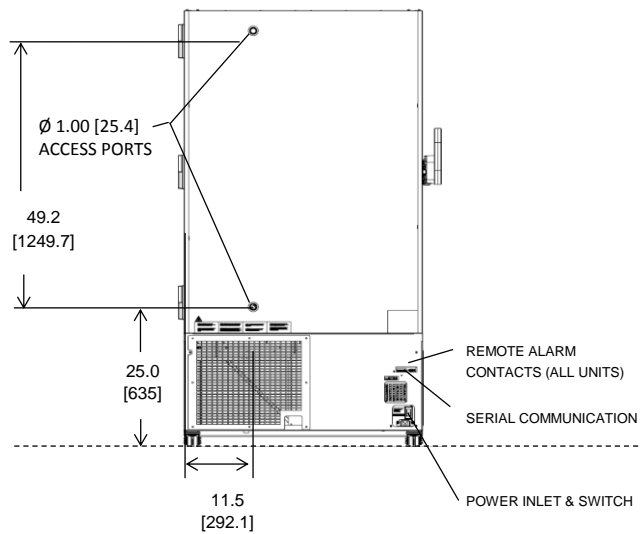
19554-BA-T21

	M1	M2	M3	M4	M5	M10	M11	M12	M13
Avg	-76.6	-76.1	-76.5	-77	-76.6	-78.8	-79.1	-79	-79.3
Max	-75.3	-74.6	-74.7	-75.8	-75.2	-77.8	-78.4	-78.3	-78.5
Min	-77.7	-77.1	-77.9	-78.1	-77.8	-79.6	-79.9	-79.8	-80.2

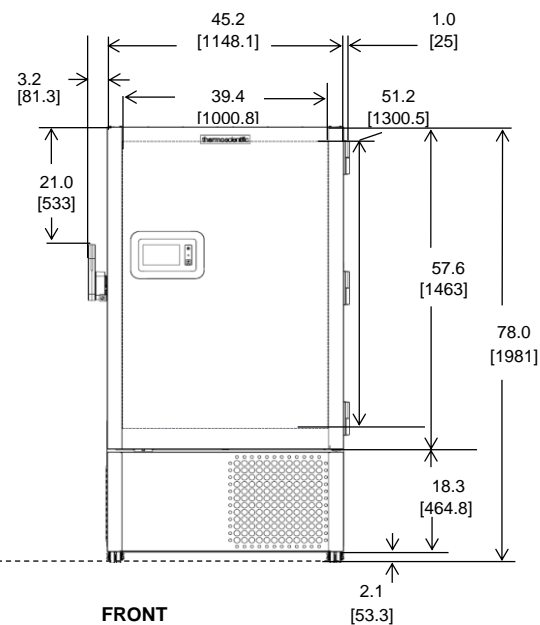
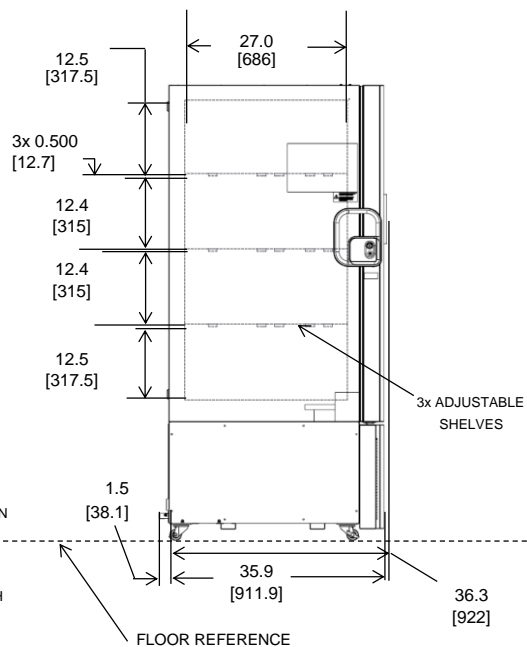
	M14	M15	M16	M17	M18	M19	M20
Avg	-79.2	-79.2	-77.6	-76.7	-78.2	-78	-77.6
Max	-78.6	-78.5	-77	-76	-77.2	-76.7	-76.8
Min	-80	-80	-78.6	-77.6	-79.3	-79.2	-78.6



*Chart recorder/Back up systems are stand alone on 300 models.



BACK



NOTE: DUAL DIMENSION IS INCH OVER METRIC

DO NOT USE FOR ENGINEERING PURPOSES. SUBJECT TO CHANGE WITHOUT NOTICE.

thermo
scientific

34 cuft Upright Freezer
2 Inner Doors
Single Outer Door
Top Mount Controls