



# 2 Block Dry Block Heaters



## *Versatile Block Heaters Designed for Everyday Use with Accessories for Every Application*

Versatile Dry Block Heaters are ideal for applications that require temperature stability. All units hold 2 optional interchangeable modular blocks with over 40 choices. Blocks are easy to use, no tools required. Close tube-to-block contact enables maximum heat retention, resulting in efficient heating. Digital models offer exceptional temperature uniformity and stability for repeatable results, while non-digital models are an economical choice.

### *Unique Features:*

- Three models to customize your application. All models offer exceptional temperature uniformity with outstanding temperature stability.
- Avoid contamination to ensure repeatable, reliable results. The Heatblock with Heated Lid features a second heater in the lid to minimize condensation to maintain your sample integrity.
- Ensure temperature accuracy. Digital models include a unique single point calibration feature to match the block heater's display to a known external temperature standard for 3 temperature setpoints.

# 2 Block Dry Block Heaters

Model	HB2AL	HB2DG	HB2DGHL
Control	Non-Digital	Digital	Digital
Temperature Range	Low Ambient + 5 °C – 100 °C, High 75 °C – 150 °C	Ambient + 5 °C – 100 °C	
Stability @ 37 °C	+/-1.5°C (120V) +/-2°C (230V)	+/-0.1°C (120V) +/-0.2°C (230V)	
Uniformity within the block @ 37 °C	+/-0.1°C (120V) +/-0.4°C (230V)	+/-0.1°C (120V) +/-0.2°C (230V)	+/-0.1°C (120V) +/-0.1°C (230V)
Heat Up Time to 100 °C	≤ 16 min		≤ 30 min
Temperature Calibration	NA	•	
Number of Blocks	2		
Overshoot Protection	NA	10 °C above set point	
Working Environment	18 °C – 33 °C, 20% – 80% Relative humidity, non-condensing		
Power	230V, 0.92A, 50/60Hz		230V, 1.65A, 50/60Hz
Power Consumption	210 W		400 W
Dimensions (W × L × H)	203 × 391 × 89 mm		203 × 391 × 178 mm
Net Weight	2.8 kg		3.1 kg

## Other Standard Features and Equipment

Touchpad control and audible alarm (digital models), painted steel housing, digital models include support rod holder with locking knob, detachable 3-wire cord and plug (included)

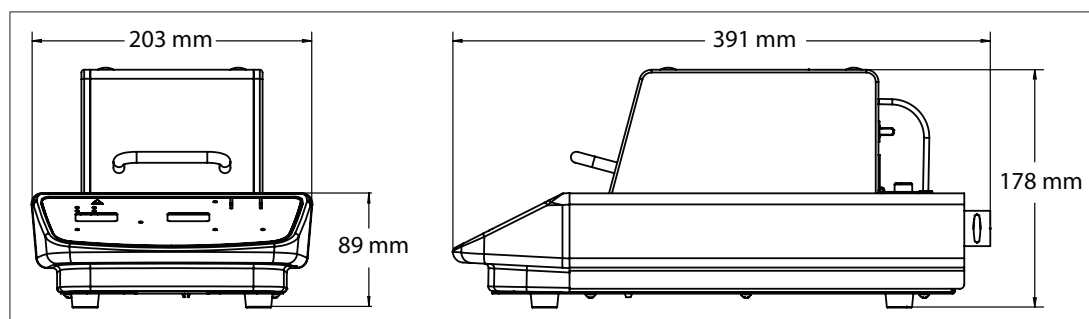
## Compliance

- **Product Safety:** EN 61010-1, EN 61010-2-051
- **Electromagnetic Compatibility:** EN 61326-1 Class A, Industrial Environments
- **Compliance Marks:** CE; RCM; UKCA; TÜV SÜD

## Accessories

Module Block 10 mm Test Tube, 24 Wells . . . . .	30400151	Module Block 15 mL Conical Centrifuge, 12 Wells	30400172
Module Block 12/13 mm, 20 Wells . . . . .	30400152	Sand Bath, 2 Block Unit . . . . .	30400174
Module Block 15/16 mm, 12 Wells . . . . .	30400153	Sand, 0.5 kg Bag . . . . .	30400177
Module Block 20 mm Test Tube, 8 Wells . . . . .	30400154	Stainless Steel Shot, 0.5 kg . . . . .	30400178
Module Block 25 mm Test Tube, 6 Wells . . . . .	30400155	Cover Low-Temperature 2 Block* . . . . .	30400179
Module Block Combo - Test Tube Combination Block:		Module Block For Vials 12 mm, 20 Wells . . . . .	30400182
6 mm, 12/13 mm, 25 mm . . . . .	30400156	Module Block For Vials 15 mm, 20 Wells . . . . .	30400183
Module Block 0.5 mL Microtaper, 30 Wells . . . . .	30400157	Module Block For Vials 17 mm, 12 Wells . . . . .	30400184
Module Block 6 mm Test Tube, 30 Wells . . . . .	30400158	Module Block For Vials 19 mm, 12 Wells . . . . .	30400185
Module Block 1.5 mL Microtaper, 20 Wells . . . . .	30400159	Module Block For Vials 21 mm, 9 Wells . . . . .	30400186
Module Block Solid . . . . .	30400160	Module Block For Vials 23 mm, 8 Wells . . . . .	30400187
Module Block Cuvette - 12 Cuvet, 2 Wells . . . . .	30400161	Module Block For Vials 25 mm, 8 Wells . . . . .	30400188
Module Block 11.5/1.5 mL Microcentrifuge, 20 Wells		Module Block For Vials 28 mm, 6 Wells . . . . .	30400189
. . . . .	30400162	Module Block For Vials 16 mm, 15 Wells . . . . .	30400190
Module Block 250 Microliter/6 mm, 30 Wells . . . . .	30400163	Module Block, 2.0 mL Tube, 20 Wells . . . . .	30400191
Module Block Titer Plate . . . . .	30400164	Module Block, 2.0 mL Corning Tube, 20 Wells . . . . .	30400192
Module Block 12/13 mm, 16 Wells . . . . .	30400165	Module Block Combo - Centrifuge Tube Configuration:	
Module Block Solid Double . . . . .	30400166	50 mL-2 Wells, 15 mL-3 Wells, 1.5 mL-4 Wells . . . . .	30400193
Module Block 35 mm Test Tube, 4 Wells . . . . .	30400167	Module Block Combo - Micro Tube Combination:	
Module Block 50 mL Conical Centrifuge, 5 Wells	30400168	2 mL-5 Wells, 1.5 mL-10 Wells, 0.5 mL-6 Wells . . . . .	30400194
Module Block 0.2 mL Micro, 80 Wells . . . . .	30400169	Module Block 17/18 mm, 12 Wells . . . . .	30400195
Module Block 0.2 mL Micro, 64 Wells . . . . .	30400170	Stainless Steel Probe Kit** . . . . .	30400246
Module Block 0.2 mL 96 Hole Double Block . . . . .	30400171	*NA for HB2DGHL **NA for HB2AL	

## Dimensions



80775615\_B 20221130 © Copyright OHAUS Corporation

### OHAUS Europe GmbH

Heuwinkelstrasse 3,  
8606 Nänikon,  
Switzerland

e-mail: [ssc@ohaus.com](mailto:ssc@ohaus.com)  
Tel: 0041 22 567 53 19  
e-mail: [tsc@ohaus.com](mailto:tsc@ohaus.com)  
Tel: 0041 22 567 53 20

[www.ohaus.com](http://www.ohaus.com)

The management system  
governing the manufacture  
of this product is  
ISO 9001:2015 certified.

