

IKA

designed for scientists

VOLS-1
VOLS-1 flex
(Volume limited spindle set for ROTAVISC)

ENGLISH

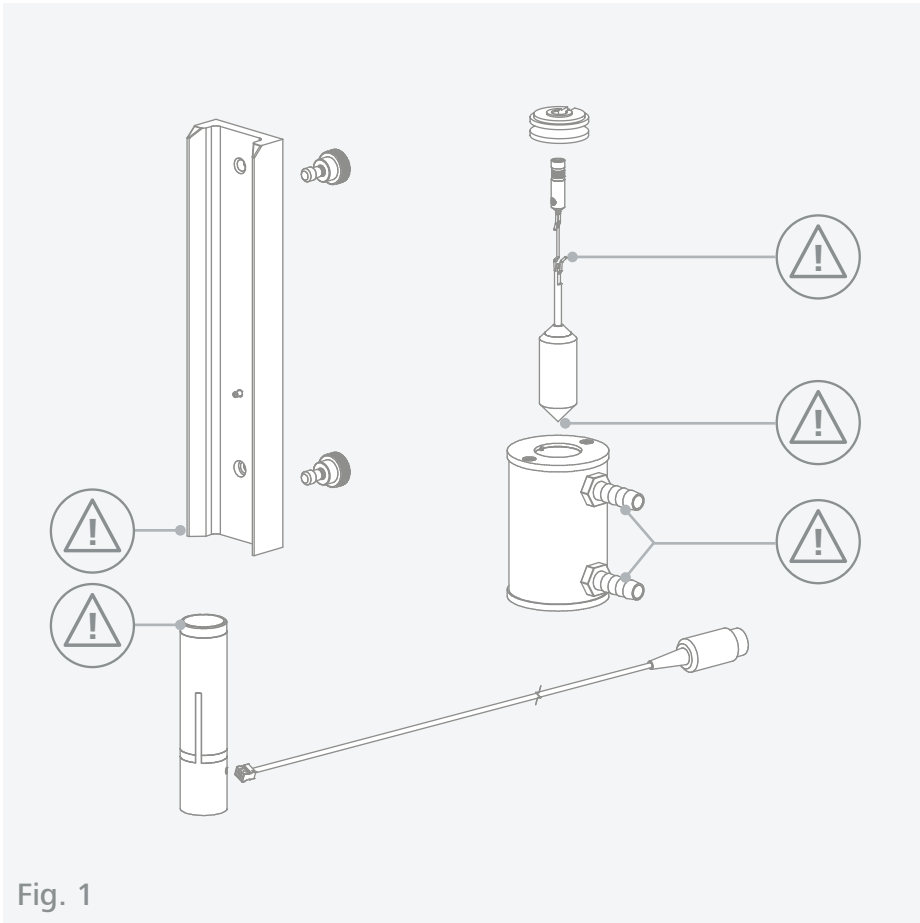













Fig. 1

	Explication of warning symbols	5
	Safety instructions.....	6
	Intended use.....	6
	Unpacking	6
	Assembly	8
	Spindle information.....	11
	Maintenance and cleaning	14
	Technical Data	15
	Warranty	15

Source language: German




Explication of warning symbols

/// Warning symbols

-  **Danger!** Indicates an (extremely) hazardous situation, which, if not avoided, will result in death, serious injury.
-  **Warning!** Indicates a hazardous situation, which, if not avoided, can result in death, serious injury.
-  **Caution!** Indicates a potentially hazardous situation, which, if not avoided, can result in injury.
-  **Notice!** Indicates practices which, if not avoided, can result in equipment damage.




/// General Symbols

- A** — Position number
Indicates device components relevant to actions.
-  Correct / result
Indicates the correct execution or the result of an action step.
-  Wrong
Indicates the incorrect execution of an action step.
-  Note
Indicates steps of actions that require particular attention.



Safety instructions

/// General information

- › **Read the operating instructions in its entirety before using the device and follow the safety instructions.**
- › Keep the operating instructions in a place where it can be accessed by everyone.
- › Ensure that only trained staff work with the device.
- › Follow the safety instructions, guidelines, occupational health and safety and accident prevention regulations.
-  **Notice!**
- › Pay attention to the marked sites in **Fig. 1**.
- › Read the operating instructions of the IKA ROTAVISC and the IKA ROTASTAND before starting.



Intended use

/// Use

- › IKA VOLS-1 spindle set measures the viscosity of especially valuable and expensive samples. A double jacket with temperature sensor to quickly heat up or cool down the sample as well as a coaxial cylinder system for the analysis of the sample at a specific shear rate is included.

/// Area of use

- › Indoor environments similar to that a laboratory of research, teaching, trade or industry area.
- › The safety of the user cannot be guaranteed:
 - If the device is operated with accessories that are not supplied or recommended by the manufacturer.
 - If the device is operated improperly or contrary to the manufacturer's specifications.
 - If the device is modified by the third parties.

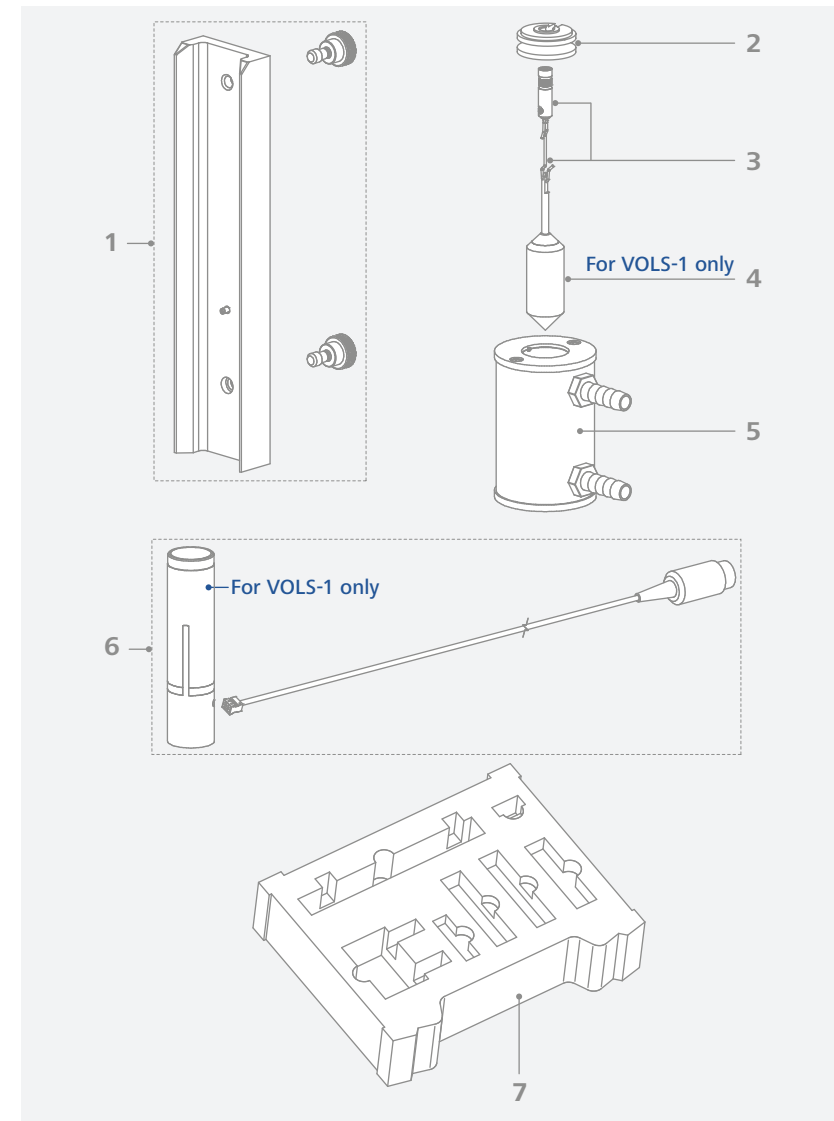


Unpacking

/// Unpacking

Unpack the device carefully. Any damage should immediately be reported to the carrier (mail, rail or freight forwarding company).

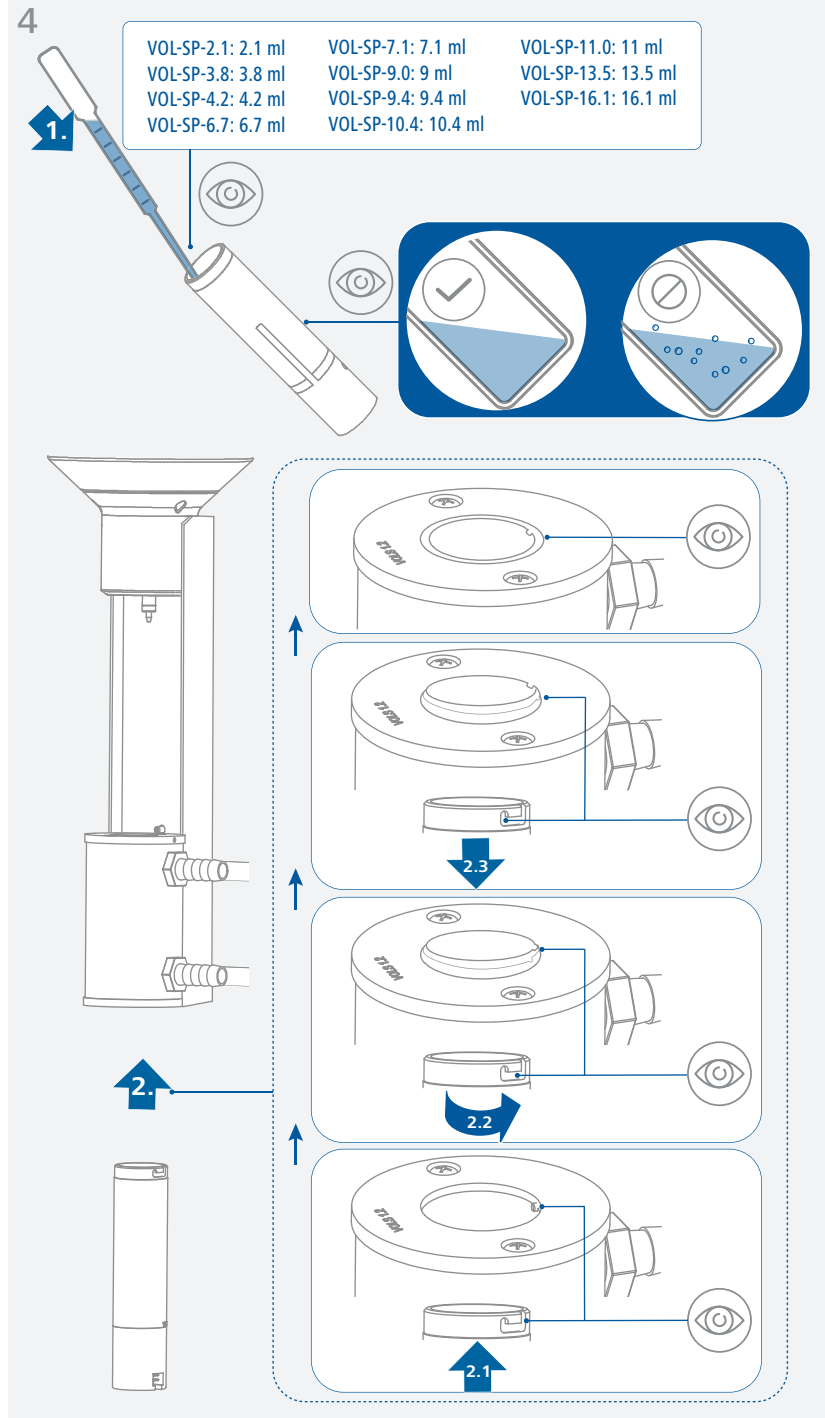
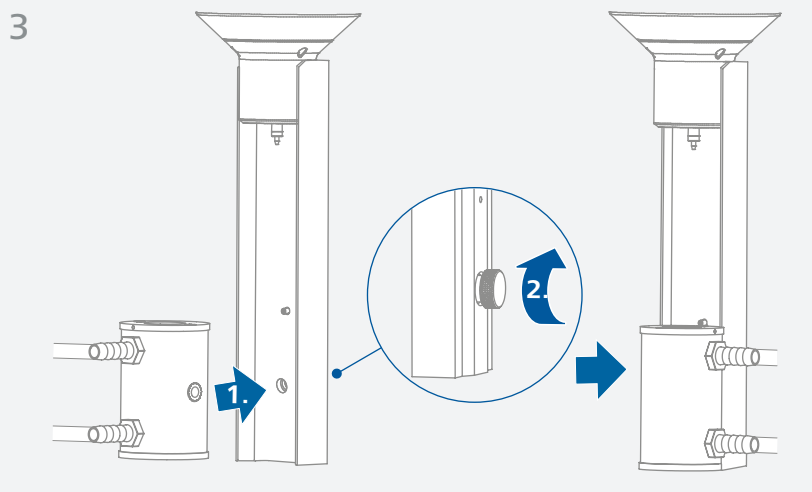
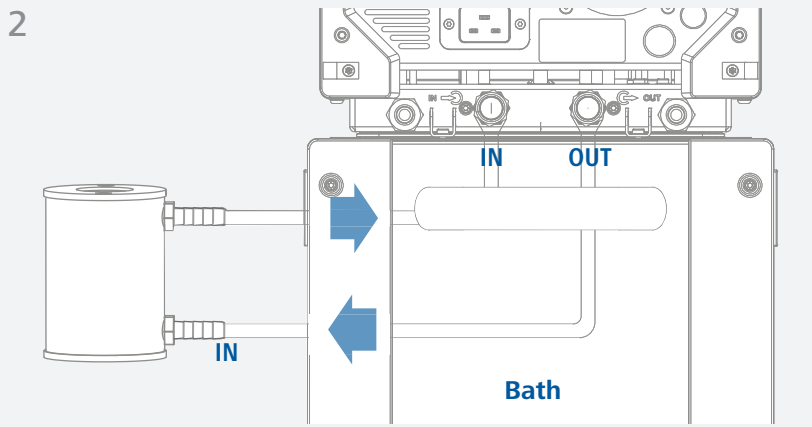
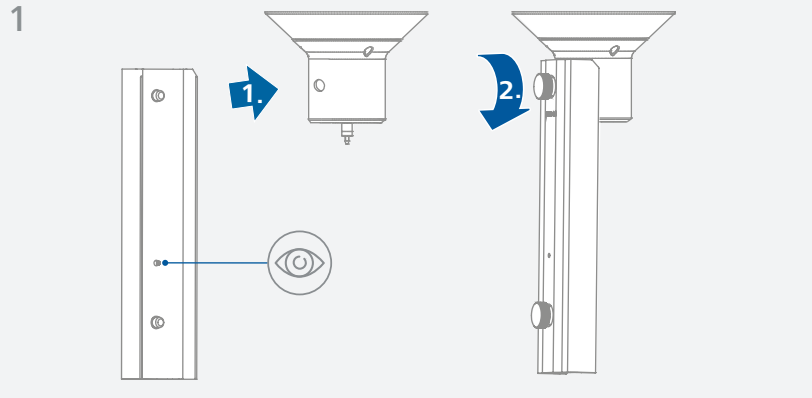
/// Scope of delivery

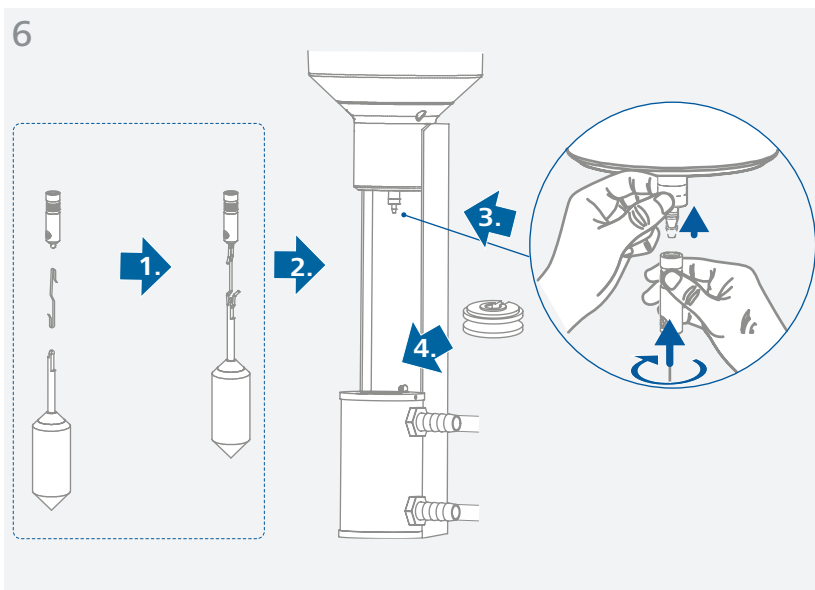
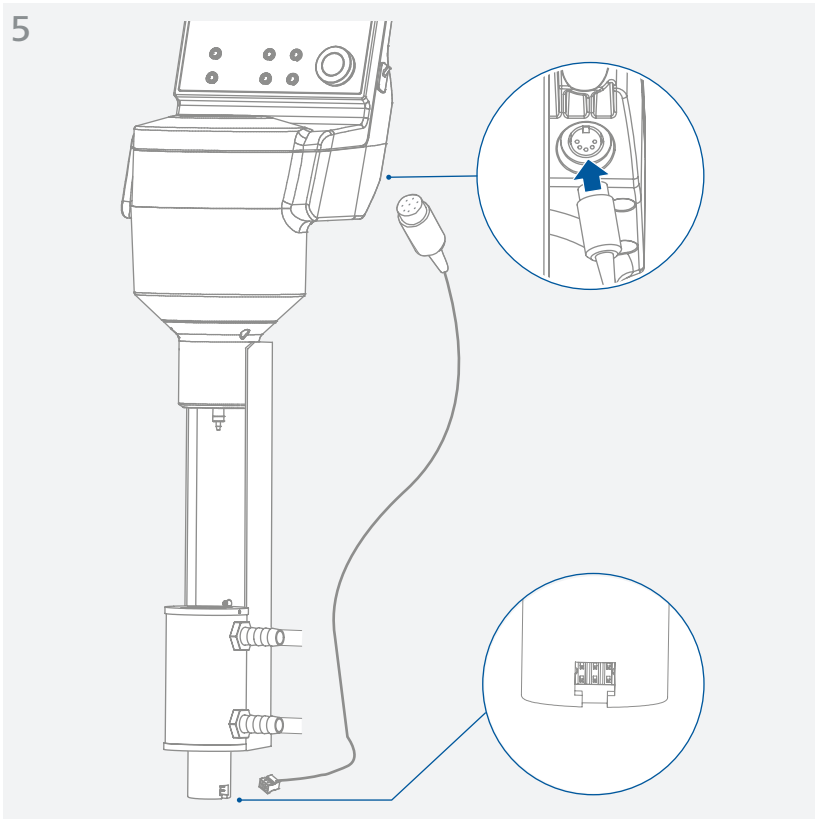


1	Locating channel assembly VOLS 1.1	6	Sample chamber VOL-C-RTD-1 (Removeable, with embedded RTD temperature probe and connector cable)
2	Chamber cover VOLS 1.2.1		
3	Extension connector VOLS 1.1.1		
4	Spindle VOL-SP-6.7		
5	Water jacket VOLS 1.2	7	Carrying case



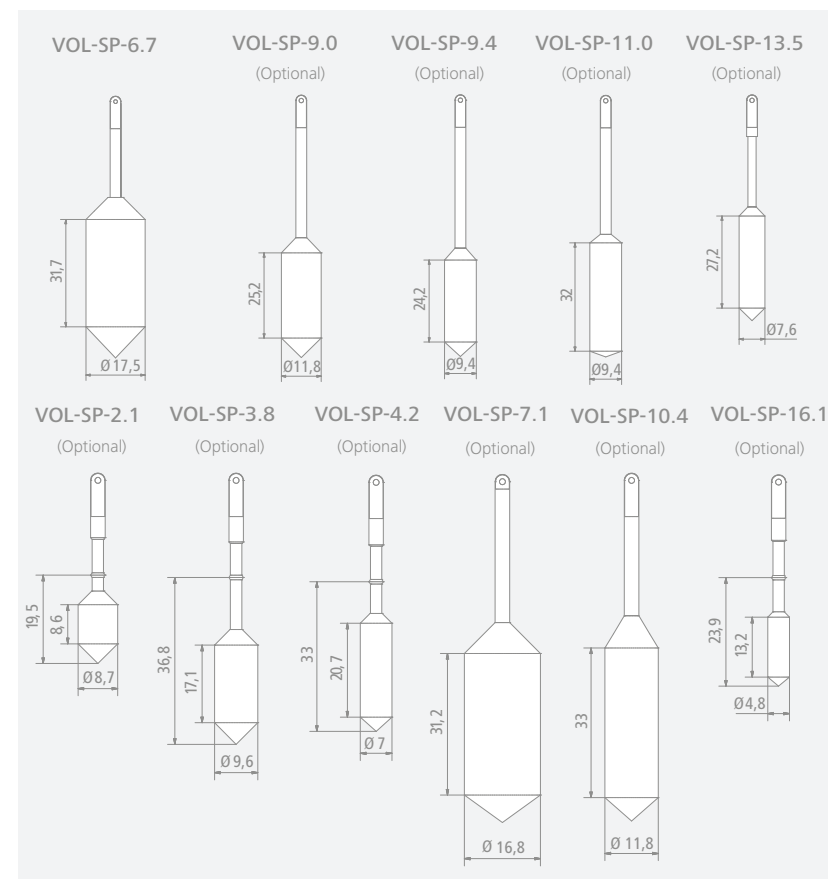
Assembly





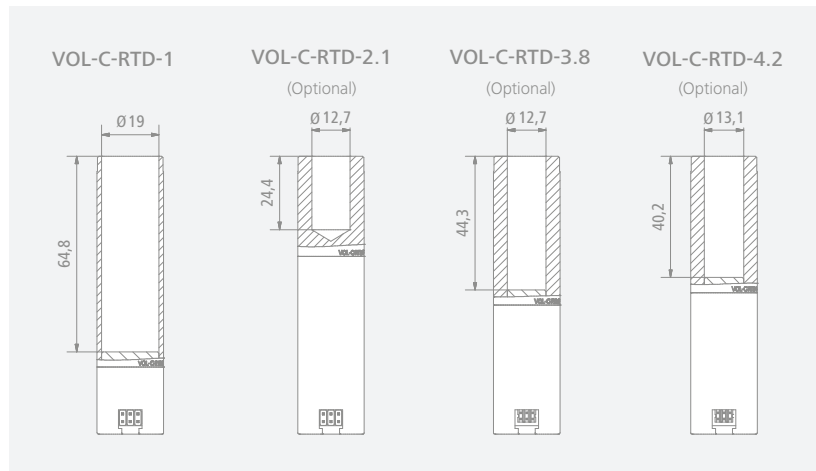
Spindle information

/// Spindle dimensions (mm)



Spindle	Fix volume (ml)	Commonly used for devices
VOL-SP-2.1	2.1	me-vi, hi-vi I, hi-vi II
VOL-SP-3.8	3.8	me-vi, hi-vi I, hi-vi II
VOL-SP-4.2	4.2	lo-vi
VOL-SP-6.7	6.7	lo-vi
VOL-SP-7.1	7.1	me-vi, hi-vi I, hi-vi II
VOL-SP-9.0	9.0	lo-vi
VOL-SP-9.4	9.4	lo-vi
VOL-SP-10.4	10.4	me-vi, hi-vi I, hi-vi II
VOL-SP-11.0	11.0	me-vi, hi-vi I, hi-vi II
VOL-SP-13.5	13.5	me-vi, hi-vi I, hi-vi II
VOL-SP-16.1	16.1	lo-vi

/// Measuring chamber innerdiameters (mm)



/// Full-scale range based on speed: 1 ... 200 rpm

Spindle	lo-vi		me-vi		hi-vi I		hi-vi II	
	M%		M%		M%		M%	
	100	100	100	100	100	100	100	100
	Min.	Max.	Min.	Max.	Min.	Max.	Min.	Max.
VOL-SP-2.1	585.8	117163	6250	1250000	12500	2500000	50000	10000000
VOL-SP-3.8	234.3	46865	2500	500000	5000	1000000	20000	4000000
VOL-SP-4.2	599.9	119974	6400	1280000	12800	2560000	51200	10240000
VOL-SP-6.7	15	2999	160	32000	320	64000	1280	256000
VOL-SP-7.1	23.4	4687	250	50000	500	100000	2000	400000
VOL-SP-9.0	150.0	29994	1600	320000	3200	640000	12800	2560000
VOL-SP-9.4	299.9	59987	3200	640000	6400	1280000	25600	5120000
VOL-SP-10.4	117.2	23433	1250	250000	2500	500000	10000	2000000
VOL-SP-11.0	234.3	46865	2500	500000	5000	1000000	20000	4000000
VOL-SP-13.5	468.7	93730	5000	1000000	10000	2000000	40000	8000000
VOL-SP-16.1	2399.5	479898	25600	5120000	51200	10240000	204800	40960000
rpm	200	1	200	1	200	1	200	1

- › The value named is defined by the sample volume required: e.g. VOL-SP-6.7, the required sample volume is 6.7 ml.
- › Spindles & chambers

Spindles	VOL-SP-6.7, VOL-SP-7.1, VOL-SP-9.0, VOL-SP-9.4, VOL-SP-10.4, VOL-SP-11.0, VOL-SP-13.5, VOL-SP-16.1	VOL-SP-2.1	VOL-SP-3.8	VOL-SP-4.2
Chambers	VOL-C-RTD-1	VOL-C-RTD-2.1	VOL-C-RTD-3.8	VOL-C-RTD-4.2

/// Measuring range base on speed: 0.1 ... 200 rpm

Spindle	lo-vi		me-vi		hi-vi I		hi-vi II	
	M%		M%		M%		M%	
	10	100	10	100	10	100	10	100
	Min.	Max.	Min.	Max.	Min.	Max.	Min.	Max.
VOL-SP-2.1	58.6	1171625	625	12500000	1250	25000000	5000	100000000
VOL-SP-3.8	23.4	468650	250	5000000	500	10000000	2000	40000000
VOL-SP-4.2	60	1199744	640	12800000	1280	25600000	5120	102400000
VOL-SP-6.7	1.5	29994	16	320000	32	640000	128	2560000
VOL-SP-7.1	2.3	46865	25	500000	50	1000000	200	4000000
VOL-SP-9.0	15	299936	160	3200000	320	6400000	1280	25600000
VOL-SP-9.4	30	599872	320	6400000	640	12800000	2560	51200000
VOL-SP-10.4	11.7	234325	125	2500000	250	5000000	1000	20000000
VOL-SP-11.0	23.4	468650	250	5000000	500	10000000	2000	40000000
VOL-SP-13.5	46.9	937300	500	10000000	1000	20000000	4000	80000000
VOL-SP-16.1	239.9	4798976	2560	51200000	5120	102400000	20480	409600000
rpm	200	0.1	200	0.1	200	0.1	200	0.1

/// Temperature-controlled tubing recommended:

Temperature	Recommended fluid	Recommended tubing
-10 °C ... 15 °C	50/50 Ethylene Glycol /Water	PVC Hose, IKA H.PVC.8 Tube
15 °C ... 65 °C	Water	Silicon Hose, IKA H.SI.8 Tube
65 °C ... 100 °C	Silicon oil	FKM Hose, IKA H.FKM.8 Tube or H.PUR.8.R

- › ID 8 mm tubing is recommended. You may order the clamps from IKA.
- › Use laboratory grade ethylene glycol only! Automobile anti-freeze fluid is not allowed for use as it may damage the device.
IKA thermal fluids recommended: HF.Si.20.200.50 and UF.Si.N30.150.10LV.
- › Never use high-viscosity silicon oil.
Viscosity recommended: ≤ 50 mPa.s

Maintenance and cleaning

- › The device is maintenance-free.

/// Cleaning

- › Use only cleaning agents which have been approved by IKA to clean IKA devices. These are water (with tenside) and isopropanol.
- › Wear protective gloves during cleaning the devices.
- › Before using another than the recommended method for cleaning or decontamination, the user must ascertain with IKA that this method does not destroy the device.

/// Spare parts order

- › When ordering spare parts, please give:
 - device type.
 - serial number, see type plate.
 - position number and description of spare part, see www.ika.com.

/// Repair

- › Please only send devices in for repair that have been cleaned and are free of materials which might present health hazards.
- › For repair, please request the “**Safety Declaration (Decontamination Certificate)**” from IKA or use the download printout of it from IKA website at www.ika.com.
- › If your appliance requires repair, return it in its original packaging. Storage packaging is not sufficient when sending the device - also use appropriate transport packaging.

Technical data

Geometry	Cylinder
Connection	Thread M2.5 LH
Hook connector	yes
Sample volume range	2.1 ... 16.1 ml
Flow jacket	yes
Mounting bracket	yes
Sample container	Specified chamber
Working temperature max.	100 °C
Viscosity accuracy	± 2 % of full scale range
Viscosity repeatability	± 0.2 % of full scale range
Dimensions (W x H x D)	300 x 110 x 275 mm
Weight	1.656 kg
Material in contact with sample	Stainless steel 1.4404

- › *Subject to technical changes!*

Warranty

- › In accordance with IKA warranty conditions, the warranty period is 24 months. For claims under the warranty please contact your local dealer. You may also send the machine direct to our factory, enclosing the delivery invoice and giving reasons for the claim. You will be liable for freight costs.
- › The warranty does not cover worn out parts, nor does it apply to faults resulting from improper use, insufficient care or maintenance not carried out in accordance with the instructions in this operating manual.





designed for scientists

IKA-Werke GmbH & Co. KG

Janke & Kunkel-Straße 10,
79219 Staufen, Germany
Phone: +49 7633 831-0
eMail: sales@ika.de

USA

IKA Works, Inc.
Phone: +1 910 452-7059
eMail: sales@ika.net

KOREA

IKA Korea Ltd.
Phone: +82 2 2136 6800
eMail: sales-lab@ika.kr

BRAZIL

IKA Brasil
Phone: +55 19 3772 9600
eMail: sales@ika.net.br

MALAYSIA

IKA Works (Asia) Sdn Bhd
Phone: +60 3 6099-5666
eMail: sales.lab@ika.my

CHINA

IKA Works Guangzhou
Phone: +86 20 8222 6771
eMail: info@ika.cn

POLAND

IKA Poland Sp. z o.o.
Phone: +48 22 201 99 79
eMail: sales.poland@ika.com

JAPAN

IKA Japan K.K.
Phone: +81 6 6730 6781
eMail: info_japan@ika.ne.jp

INDIA

IKA India Private Limited
Phone: +91 80 26253 900
eMail: info@ika.in

UNITED KINGDOM

IKA England LTD.
Phone: +44 1865 986 162
eMail: sales.english@ika.com

VIETNAM

IKA Vietnam Company Limited
Phone: +84 28 38202142
eMail: sales.lab-vietnam@ika.com

THAILAND

IKA Works (Thailand) Co. Ltd.
Phone: +66 2059 4690
eMail: sales.lab-thailand@ika.com

TURKEY

IKA Turkey A.Ş.
Phone: +90 216 394 43 43
eMail: sales.turkey@ika.com

Discover and order the fascinating products of IKA online:
www.ika.com

