

OPERATING MANUAL

Cole-Parmer®

SD Overhead Mixer

Mixer Controller Model Number 55008-07

Mixer Motor Model Number 55008-08

SD Overhead Mixer Set

Model Number 55008-04

SD Overhead Mixer System

Model Number 55008-05

ENGLISH

Instruction Manual

pages 3 - 22

FRANÇAIS

Mode d'emploi

pages 25 - 44

ESPAÑOL

Manual de instrucciones

paginas 47-68

ACCESSORY TABLE

pages 70-71

CONTENTS

SAFETY PRECAUTIONS	4
GENERAL INSTRUCTIONS	7
INTRODUCTION	7
Packing List	8
Cord Sets	8
Motor	8
CONTROLLER AND LED FUNCTIONS	9
INSTALLATION AND SETUP PROCEDURES	10
Connecting Motor Cable to Controller	10
Installation of Adjustable Tilt Mounting Bracket	11
Installation Using a Mixer Stand	11
Installation of Pivot Mount	12
Installation Using a Tank Clamp	13
Impeller Attachment	13
Chuck Removal and Attachment	13
MIXER CONTROLLER OPERATION	14
Powering On	14
Button Functions	14
Set Motor Speed	14
Set Run Time	14
Set Torque Limits	15
Set Zero Torque	15
Set Rotation Direction	16
Resume	16
Overload Indicator	16
SPECIFICATIONS	17
Dimensions	17
Mixer Motor	17
Controller	18
Torque Capabilities	18
Compliance	19
MAINTENANCE AND TROUBLESHOOTING	19
Cleaning the Mixer/Controller System	19
Removing and Replacing Fan Filter	20
Replacement Parts	20
Troubleshooting	20
WARRANTY	22
PRODUCT RETURN	22
TECHNICAL ASSISTANCE	22

SAFETY PRECAUTIONS



1. All operators must be familiar with the mixer and read this entire manual. If the mixer is used with accessories not provided or recommended by the manufacturer or used in a manner not specified by the manufacturer, the protection provided by the equipment may be impaired.
2. The mixer must be securely fixed to a stable support. Mount to a Cole-Parmer stand using a Cole-Parmer double (rod) clamp. If other stands or clamps are used, the mixer must be secured such that it will not fall if tipped.
3. **CAUTION:** This is not an explosion proof mixer. Do not use with highly flammable or explosive materials. Do not operate the mixer in explosive atmospheres, with hazardous substances or under water.
4. Spinning impellers can cause severe personal injuries. Operators must use extreme care and good judgment when mixing at any speed.
5. All mixing paddles and impellers must be in good condition with straight shafts. If the mixer vibrates at high speeds check the paddle shaft for damage and repair or replace if needed.
6. Extreme care must be taken when mixing chemicals to ensure that no chemicals are splashed outside the mixing vessel. Care must be taken when changing to faster mixing speeds.
7. Ensure that the mixing impeller does not contact the containment vessel.
8. Do not operate while standing in water. Keep the mixer dry and do not immerse any part, except the mixing paddle, into any liquids. Protect from splashing.
9. Ensure that no loose clothing, jewelry, or hair can become entangled in any rotating parts. A fast spinning chuck can cause injury to operator.
10. To stop the mixer in an emergency, press the START/PAUSE button, push the rear-panel POWER switch to the OFF position, or disconnect the mains cord.
11. Ensure the START/PAUSE button, POWER switch, and mains power cord of the mixer can be accessed immediately, directly and without risk at any time, and above all, in case of fault.
12. The mixer must be used with the supplied power cord. The cord and grounded plug type are important safety elements. Always connect the mixer to a grounded outlet. Do not alter the plug.
13. The mixer must be supplied with the voltage specified on the serial label. See serial label.
14. Excluding procedures outlined under maintenance and troubleshooting, service must be done by an authorized service centre.
15. Wear appropriate personal protective equipment such as eye protection and any clothing suitable for the application.
16. When the mixer is ready for use to mix liquids and liquid/solid solutions, the operator must ensure that all safety instructions are followed and must determine appropriate impeller and container specifications.
17. The mixer can operate continuously if the torque demand falls below the continuous torque (see Torque Capabilities).

18. If the mixer is used for an extended period of time above the continuous torque (see Torque Capabilities), then it may shut down. The mixer may be started after it has cooled down.

GENERAL INSTRUCTIONS

Read SAFETY PRECAUTIONS: Unpack the product carefully. Ensure the product is not damaged and verify the contents against the packing list. If the product is damaged or the contents do not correspond with the packing list, notify your dealer immediately.

Read the manual carefully! Make sure that all users read this manual thoroughly before operating the mixer. For further questions or inquiries, please contact:

Cole-Parmer

625 East Bunker Court
Vernon Hills, IL 60061 United States

Tel: 847-549-7600
Toll Free: 1-800-323-4340

Website: www.coleparmer.com
E-mail: sales@antylia.com

INTRODUCTION

SD Overhead Mixer covered in this manual is specifically designed for professional use in the laboratory and for use in industry to stir numerous liquids with various properties and applications. It consists of a mixer motor and a precision digital controller.

SD Overhead Mixer rotates at 50-2500 rpm with a maximum torque of 113 in-oz (80 Ncm).

The mixer uses a brushless DC motor. The speed is kept constant with continuous feedback to the motor. The mixer has integrated overload protection which ensures no damage can occur to the electronics or when an overload situation occurs, such as too great a torque demand or mixer overheating.

The mixer is designed for reliability and durability. There are no wear parts that require user service during the normal life of the mixer.

Packing List

Compare the contents of the shipment to the items on the following lists to ensure all parts are received. Do not discard the packing materials until all parts are accounted for. It is recommended that the original packing materials be kept for transportation and storage.

SD Overhead Mixer Set 55008-04 covered in this manual consists of:

- Mixer Motor Model 55008-08 including:
 - Bracket with 6 in (152 mm) mounting rod
 - Hardware
- SD Mixer Controller Model 55008-07 including:
 - North American (NA) cord set

SD Overhead Mixer System 55008-05 consists of the set above plus:

- Mixer stand
- Double (rod) clamp
- Stainless steel shaft for propeller, 18 in x 3/8 in (457 mm x 10 mm)
- Stainless steel propeller, 3 in (78 mm)

Cord Sets

North American cord set included. RoHS compliant. For international cord sets contact your dealer.

Motor

The Cole-Parmer SP and SD mixer motor, Figure 1, has through-shaft capability and features a user replaceable keyless chuck. Bracket hardware is preinstalled to enable installation of the adjustable tilt mounting bracket.

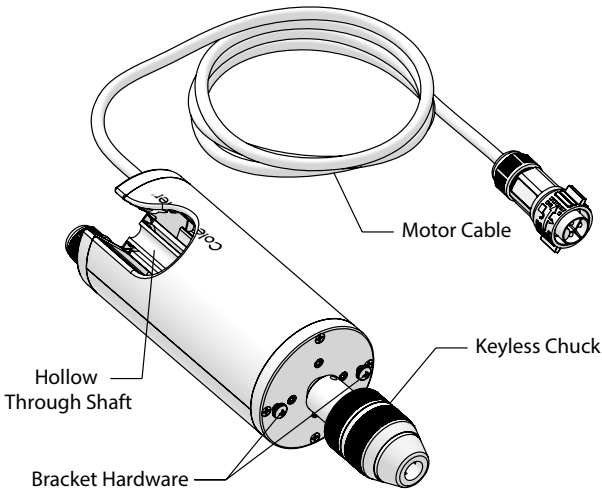


Figure 1: Mixer Motor with Cable

CONTROLLER AND LED FUNCTIONS

SD Mixer Controller 55008-07

The precision digital controller, Figures 2, 3, and 4, is used to turn on and set the speed, timer, direction, and torque limits for the mixer motor.

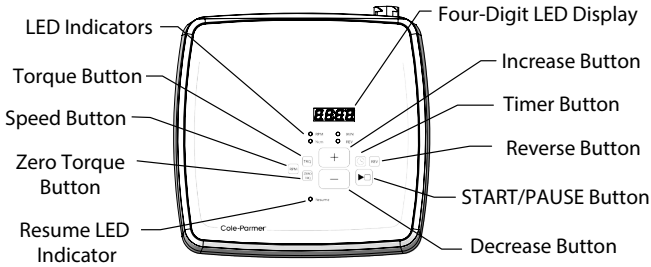


Figure 2: SD Controller Functions and Display

The controller ensures accurate, dependable motor speed (mixing) control, with “soft-start” and smooth, gradual adjustment to the speed setting. Constant speed is maintained electronically via automatic compensation for changes in load torque demands at both high and low speeds. Built-in motor current compensation minimizes speed drift with changes in load. Motor current limiting protects the system in case of a locked rotor condition. Mixer rotation is reversible.

The four-digit LED Display will turn on when the controller is connected to mains power and the POWER Switch is in the ON position

LED Indicators identify the function being displayed (SPEED, TIMER, or TORQUE). A flashing MIN or Ncm LED and audible alarm indicate a limit condition has been reached.

INCREASE Button increases the value of the parameter and is used to enable Resume.
DECREASE Button decreases the value of the parameter and is used to disable Resume.

START/PAUSE Button starts the motor rotation. If mixer is already in operation, START/PAUSE will pause rotation. Rotation also stops when limit condition is reached. Also used for setting SPEED, TIMER, or TORQUE parameters and Resume.

REVERSE Button changes direction of motor rotation. Mixer rotates by default in a clockwise direction when viewed from the motor looking down the mixing shaft. Press the REV button for motor to rotate in a counter-clockwise direction.

TIMER Button displays last countdown setting and is used to set countdown timer.

SPEED Button displays actual mixer shaft speed and is used to set motor speed.

TORQUE Button displays current torque value (Ncm) and is used to set High and Low Torque limits. Mixer automatically stops when preset limits are reached.

ZERO TORQUE Button zeroes the torque display when impeller is running in free air or in a reference liquid.

Resume LED will be lit when Resume is enabled. Resume is disabled by default.

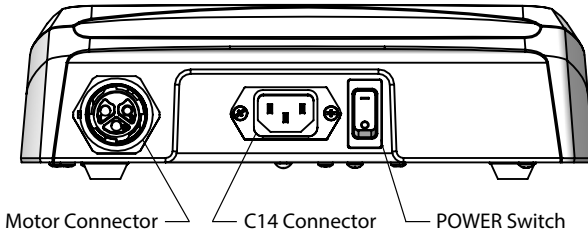


Figure 3: SD Controller Back Panel

POWER Switch controls power to controller and motor.

C14 Connector is for power cable to mains.

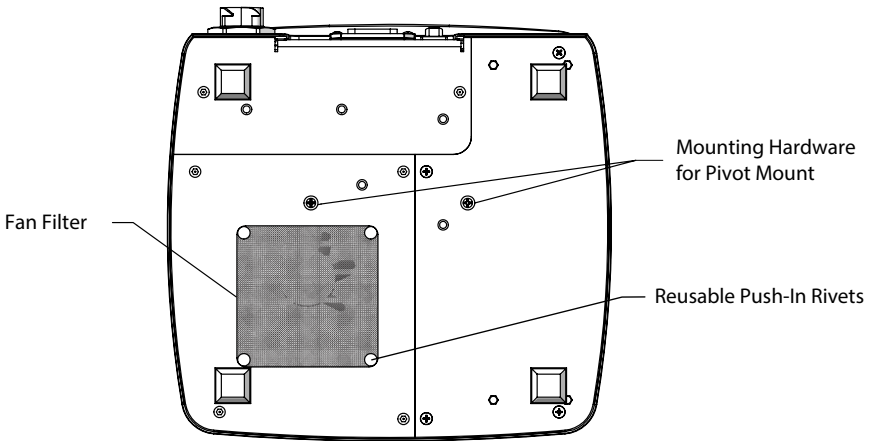


Figure 4: SD Controller Bottom Panel

Mounting Hardware is accessible on the bottom to securely attach the Pivot Mount to the controller.

Fan Filter is removeable, washable for cleaning, and replaceable.

INSTALLATION AND SETUP PROCEDURES

Connecting Motor Cable to Controller

The Motor Cable connector has a locking mechanism when cable is connected. This is to prevent unintended disconnection in the event of accidental force on the motor cable.

To ensure proper connection:

1. Orient the motor cable connector so the unlock icon and arrows are facing upward.
2. Push the connector into the controller socket. The collar should rotate and return to its initial position, locking in the connection.
3. To disconnect the motor cable, rotate the blue collar counter-clockwise (left) to release the lock. The connector can now be pulled out of the socket, as shown in Figure 5.

Note: If controller display shows ERR3, the motor cable is not fully connected. Disconnect the cable and reinsert into the controller.

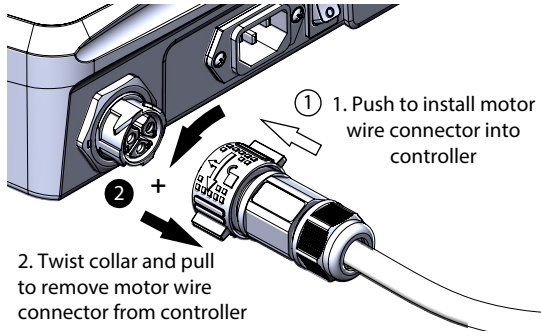


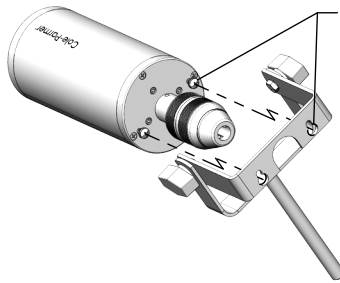
Figure 5: Connecting and disconnecting Motor Cable to Controller

Installation of Adjustable Tilt Mounting Bracket

The mixer motor has an adjustable tilt mounting bracket included. The mounting bracket is designed to attach to a mixer stand or tank clamp.

Perform the following steps:

1. The motor comes with two black Phillips screws installed in the housing. Loosen the screws without removing in preparation for installing the mounting bracket.
2. Align the holes on the mounting assembly with the loosened screws. Place openings over the screws and slide the mounting assembly into the installed position.
3. Tighten the screws to secure the mounting assembly in the installed position, as shown in Figure 6.



Place bracket on mixer so the pre-installed screws go through the large hole of the keyhole slot. Drop bracket into place and tighten screws

Figure 6: Installing Adjustable Tilt Mounting Bracket

The mixer is now ready to be attached to a mixer stand (supplied with system) or to a tank clamp. Recommended stands, tank clamps, and a double (rod) clamp are available through your dealer. Part numbers are listed in the ACCESSORIES section.

Installation Using a Mixer Stand

1. Set up mixer stand in accordance with the manufacturer's instructions.
2. Attach a double (rod) clamp to the vertical rod on the mixer stand and tighten clamp screw.
3. Slide rod of adjustable tilt mounting bracket into clamp and secure with clamp screw.
4. Place mixer stand legs around vessel. Tilt angle is adjustable from 0 to 30 degrees.
5. Position the height of the mixer motor by moving the clamp up or down on the mixer stand. Once installed, the impeller can also be adjusted to the desired height.

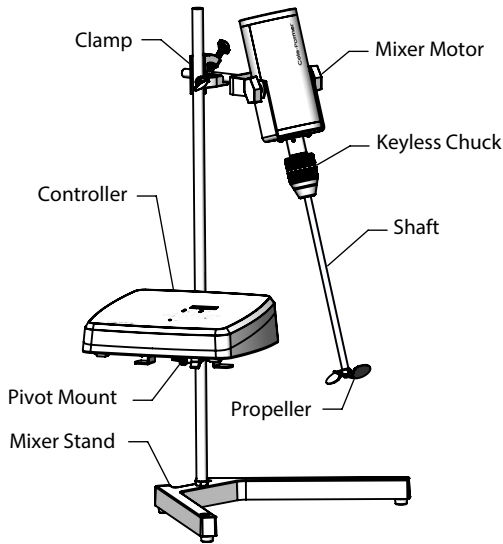


Figure 7: Typical Mixer Setup using a Mixer Stand and Pivot Mount.

Note: The controller can be placed on any flat surface within 6 feet (183 cm) of the mixer motor or can be mounted on a pivot mount (not supplied). Refer to the ACCESSORIES section for part numbers.

To attach the pivot mount, proceed to the section below. If controller is placed elsewhere proceed as follows:

6. Connect the 6 ft (183 cm) cable between the mixer motor and the controller rear panel.
7. Check that the controller is not powered. Ensure that the rear panel POWER switch is in the OFF position.
8. Connect the 6 ft (183 cm) line cord from the controller to the appropriate 3-wire, grounded power source.

Installation of Pivot Mount

1. Remove the two Phillips screws and lock washers on the bottom of the controller.
2. Position Pivot Mount bracket over the bracket mounting holes, re-install the two Phillips screws and lock washers and tighten.
3. Attach a double (rod) clamp to the vertical support rod on the stand and position so that pivot mount bracket will be clear of mixer motor.
4. Slide the mounting rod of the pivot mount bracket into the double (rod) clamp or lower hole on the tank clamp. Tighten clamp.
5. Adjust position of controller by first loosening knob on pivot mount bracket, adjust position and then retighten knob.
6. Connect the 6 ft (183 cm) cable between the mixer motor and the controller rear panel.
7. Check that the controller is not powered. Ensure that the rear panel POWER switch is in the OFF position.

8. Connect the 6 ft (183 cm) line cord from the controller to the appropriate 3-wire, grounded power source.
9. Excess cordage from either the mixer motor or controller can be wrapped around the ears of the Pivot Mount to prevent entanglement with the rotating mixer shaft.

Installation Using a Tank Clamp

The tank clamp is attached to the side of a tank and supports both the mixer motor and the controller (see Figure 8).

1. Position the tank clamp over the edge of the tank with large knob to the outside of tank.
2. Allow clamp to rest on edge of tank for added stability and tighten knob.
3. Position mixer motor over material to be mixed and insert rod of adjustable tilt mounting bracket into upper hole in tank clamp. Tighten locking knob securely.
4. Select an impeller and shaft for the required operation and install as instructed below. Contact your dealer for obtaining the proper shaft size. Refer to the ACCESSORIES section for the part numbers.

Note: The controller can be placed on any flat surface within 6 ft (183 cm) of the mixer motor or can be mounted on a Pivot Mount (not supplied). Refer to the ACCESSORIES section for part numbers. To attach the pivot mount, refer to the section above.

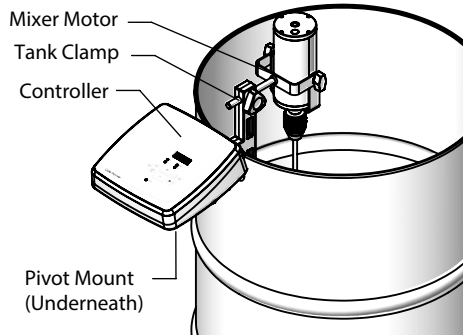


Figure 8: Typical Mixer Setup using a Tank Clamp.

Impeller Attachment

Select an impeller and shaft for the required operation and install as follows:

1. Place impeller on shaft and tighten set screw.
2. Open the chuck. Insert the impeller shaft into the open chuck and adjust the impeller to the desired height. The hollow through-shaft allows the impeller shaft to come through the top of the mixer motor if necessary. Insert the mixer shaft into the chuck so it extends into the through-shaft by at least 3 inches to ensure a secure hold on the shaft. Keep mixer shaft as short as possible to reduce resonant vibrations caused by shaft flexing at higher speeds.
3. Tighten the chuck. A clicking sound will be heard as the chuck approaches being fully tightened.

Chuck Removal and Attachment

1. Slide chuck onto motor shaft, aligning the set screw with the through hole on the shaft.
2. Tighten the set screw using the provided hex key.

MIXER CONTROLLER OPERATION

Powering On

Make sure that the motor cable is plugged in and locked into the controller and the controller is connected to the mains supply with provided power cable. Place the rear-panel POWER switch to the ON position. If the controller is connected to mains, the display will turn on indicating power. Internal memory permits storage of all previously set parameters including speed, timer, torque limits, zero torque, direction of rotation, and Resume. The display will show the last mode operated. First time the controller is powered on, display shows RPM mode with a value of 0, and motor is in PAUSE.

Button Functions

START/PAUSE

Pressing the START/PAUSE button causes the mixer motor shaft to rotate at the set speed. Pressing the START/PAUSE button when motor shaft is rotating stops the motor.

RPM/TIMER/TRQ

Changing display modes (RPM, TIMER, TORQUE) is accomplished by pressing the desired mode button once. The lit LED below the digital display indicates which mode is currently in the display. Additional presses of the mode button advance to set the desired parameter.

Set Motor Speed

The RPM display mode is active when RPM LED is illuminated. The digital display will show actual mixer speed. If the mixer is in PAUSE the display shows 0. The RPM mode precisely sets the output speed of the shaft, as low as 50 rpm or as high as 2500 rpm. Speed can be set both when the mixer is in operation and in PAUSE.

1. When in the RPM display mode, press the RPM button. This causes the display to flash and show the set speed, indicating the set speed can be adjusted.
2. Use the INCREASE and DECREASE buttons to set the desired speed.
3. New set speed will flash for five seconds, then be accepted as new speed. Pressing RPM or START/PAUSE buttons will also accept the new speed. Display stops flashing and returns to actual speed. If mixer is in operation, rotation will change to the new set speed. The RPM LED will flash while motor is ramping to new speed.

Set Run Time

The TIMER display mode is active when MIN LED is illuminated and the digital display shows set or remaining minutes and seconds. If display shows 00:00 the mixer is set for continuous operation. The digital display will show the set countdown time to a maximum of 99 minutes and 59 seconds. Countdown begins when the START/PAUSE button is pressed to start mixer operation. Pressing START/PAUSE while motor is rotating will stop rotation and timer, with the TIMER display showing time remaining. Timer and mixing can resume when the START/PAUSE button is pressed. The timer can be set both when the mixer is in operation and in PAUSE.

1. When in the TIMER display mode, press the TIMER button. The minutes of the display will start flashing, indicating minutes can be adjusted. To reset timer to 00:00, press and hold TIMER button two seconds.
2. Use the INCREASE and DECREASE buttons to set minutes for timer as desired.
3. Press TIMER button again. The seconds of the display will start flashing, indicating seconds can be adjusted. Pressing the TIMER button repeatedly will switch between minutes and seconds.
4. Use the INCREASE and DECREASE buttons to set seconds for timer as desired.

5. New set time will flash for five seconds, then be accepted as new time. Pressing START/PAUSE button will also accept new time. If mixer is in operation, the display stops flashing and begins timer countdown. If mixer is in PAUSE, the display stops flashing and shows new set time.

When the countdown of the timer is completed, the mixer stops rotation. The MIN LED will flash and controller will beep continuously until any button on the controller is pressed. The set time is remembered after countdown is completed.

Set Torque Limits

The TORQUE display mode is active when Ncm LED is illuminated. The digital display will show actual torque, so if the mixer is in PAUSE the display will show 0. Torque limits can be set both when the mixer is in operation and in PAUSE. Default limits for the High Torque is 80 Ncm, while the Low Torque is 0 Ncm.

The TORQUE limit feature allows customizing high and low torque limits for precise monitoring of mixing processes. This mixer can set either the High or Low Torque limit, or have both limits simultaneously in effect for a controlled allowable range. The minimum range between High and Low Torque limits is 5 Ncm. Attempting to set a torque limit within 5 Ncm of the other limit will result in ER code being displayed.

1. When in the TORQUE display mode, press the TRQ button. Display will show H in the left of the display, and flashing digits to the right, indicating the High Torque limit can be adjusted. To reset High Torque limit to default value, press and hold TRQ button for two seconds.
2. Use the INCREASE and DECREASE buttons to adjust the High Torque limit as desired. If High Torque limit is set within 5 Ncm of the Low Torque limit, "ER" flashes in the display indicating an error. Wait three seconds for "ER" to clear or press the INCREASE button. The allowable High Torque limit now flashes in the display.
3. Press TRQ button again. Display will show L in the left of the display and flashing digits to the right, indicating the Low Torque limit can be adjusted. Pressing the TRQ button repeatedly will switch the display between High and Low limits. To reset Low Torque limit to default value, press and hold TRQ button for two seconds.
4. Use the INCREASE and DECREASE buttons to adjust the Low Torque limit as desired. If Low Torque limit is set within 5 Ncm of the High Torque limit, "ER" flashes in the display indicating an error. Wait three seconds for "ER" to clear or press the DECREASE button. The allowable Low Torque limit now flashes in the display.
5. The new set Torque limit will flash for five seconds, then both High and Low Torque limits will be accepted. Pressing START/PAUSE button will also accept new torque limits. If the mixer is in operation, the display stops flashing and shows actual torque. If motor is in PAUSE, the display stops flashing and shows 0.

When one of the torque limits is reached, the mixer stops rotation. The Ncm LED will flash and controller alarm will beep continuously. The display will show an H or an L to indicate which limit has been reached. Pressing any button on the controller will stop the alarm and LED flashing.

Regardless of the set limits, there is always a maximum torque limit check to guard against motor overheating. If this limit is exceeded, the mixer stops rotation and alarm will beep. The digital display will show H and the Ncm LED will flash. Pressing any button on the controller will stop alarm beeping. This error must be corrected or the overload warning will sound again when the motor is restarted. The mixer will remain stopped until the unit is reset by turning the POWER switch OFF and back ON again.

Set Zero Torque

The ZERO TORQUE feature is used to zero the torque display so that the actual torque required for the mixing process can be read directly on the display. Torque is displayed in Ncm.

1. While the mixer shaft is running in free air or a reference liquid, press the ZERO TRQ button.

If TORQUE display mode is active, the torque value in the digital display will be 0 and four decimal points will be flashing.

2. The mixer shaft is then placed into the solution being mixed. The reading on the display will now indicate the torque necessary to mix the solution. This number can now be used to determine the proper shut off or torque limit when mixing several batches of the same consistency.

When the ZERO TORQUE feature is engaged, the maximum torque limit that can be set is adjusted so that the absolute torque does not exceed the torque of the mixer. Example: The High Torque limit is set at 65 Ncm, and the mixer is running with an actual torque reading of 20 Ncm. When the ZERO TRQ button is pressed, the maximum High Torque limit that can be set would be 60 Ncm (80-20). This limit will be displayed when operator is in Torque Limit set mode.

Set Rotation Direction

By default, the shaft will rotate in a clockwise direction when viewed from the motor down the mixing shaft. To reverse the direction of rotation to counter-clockwise, press the REV button. The REV LED will illuminate, indicating reverse rotation is engaged. Rotation direction can be changed when the mixer is in operation and in PAUSE.

Resume

This mixer includes an optional Resume feature. When set, the mixer will resume mixing after a power failure or when the power has been removed by control equipment (i.e., PLC) or when the AC power has been cut (i.e. mixer unplugged).

When power is restored, all previous settings are remembered. If there was time remaining on the countdown, the timer will reset to set value. The digital display will flash the set speed five times, then the display returns to the display mode (RPM, TIMER, TORQUE) before power was removed, indicated by the illuminated LED. If the mixer was in operation before power was disconnected, the set speed will flash five times and then the mixer will automatically ramp up to the set speed to resume mixing. If countdown timer was set it will restart countdown, and any other set parameters will be in effect (torque limits, ZERO TORQUE, direction of rotation). The mixer ships from the factory with Resume disabled.

1. To turn on Resume, ensure the motor is connected to the controller, the controller is plugged in and the POWER switch is ON. Mixer is in PAUSE, not rotating.
2. Press and hold the INCREASE button. Then press the START/PAUSE button. The Resume LED will illuminate, indicating Resume is active.
3. To disable Resume, ensure the motor is connected to the controller and controller is plugged in with POWER switch ON. Mixer is in PAUSE mode.
4. Press and hold the DECREASE button. Then press the START/PAUSE button. The Resume LED will turn off, indicating Resume is disabled.

Overload Indicator

Motor overload can result from too much load (torque) on the mixer, a locked motor condition, or operating conditions causing overheating in the motor or controller. When the mixer is approaching an overload condition, the speed of the motor may automatically slow in order to reduce the load. If the overload situation continues, the mixer will stop rotation. Display will show H, the Ncm LED will flash, and controller alarm will beep continuously. Pressing any button on the controller will stop the alarm.

Resolve the condition causing too much load or a locked motor. This error must be corrected or the over-limit warning will sound again when the mixer is restarted.

The mixer will remain stopped until the unit is reset by turning the POWER switch OFF and back ON again. If the shutdown occurred due to overheating, the mixer will not turn back on until sufficient time has passed for the mixer to cool. Turn mixer off, wait approximately 30 minutes, then turn

mixer back on to resume mixing.

SPECIFICATIONS

Dimensions

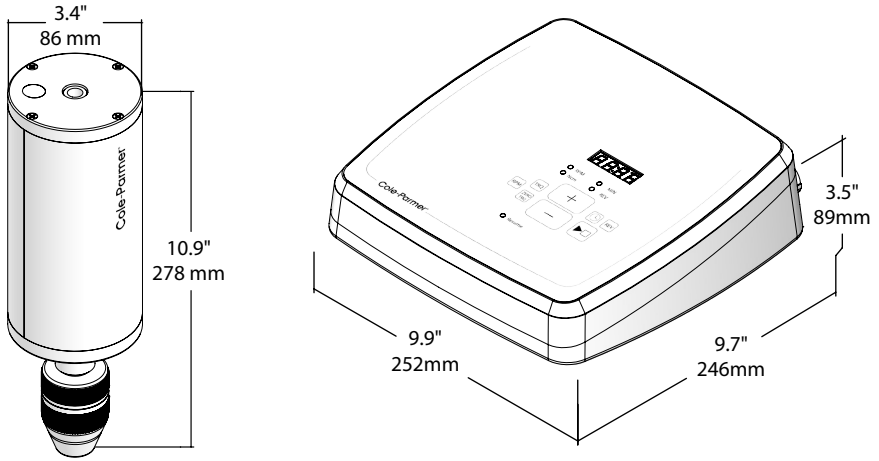


Figure 9: Mixer Motor and SD Controller Dimensions

Mixer Motor

Direction of Rotation	Clockwise or counter-clockwise controlled with the REV button
Speed Range	50 to 2500 rpm
Torque Output max At 500 rpm	71 in-oz (50 Ncm) Continuous 113 in-oz (80 Ncm) Intermittent
Maximum Volume	31 gal (120 L) [250 cP]
Maximum Viscosity	2000 cP [< 1 gal (4 L)]
Chuck	Three-jawed type keyless chuck accepts up to 3/8 in (10 mm) diameter shafts
Through Shaft diameter	3/8 in (10 mm) maximum
Mechanical Output Power	1/6 hp (120 W) brushless DC motor
Input Voltage max	24 V DC
Input Current max	8.4 Amps
Installation Category	Installation Category I per IEC 664

Motor Cord Length	6 ft (183 cm) - DC
Weight	6.6 lb (3.0 kg)

Controller

Speed Accuracy	± 0.2% of full speed
Voltage	100-240 VAC, 50/60 Hz +/- 10% of the nominal voltage
Maximum Current Draw	2.6 Amps
Electrical Output to Motor	DC 24 Volts, 8.40 Amps, 201.6 Watts
Installation Category	Installation Category II per IEC 664
NA Power Cord Length	6 ft (183 cm) - AC
Weight	3.8 lb (1.7 kg)

Torque Capabilities

	Continuous	Intermittent
SD Model 55008-04	71 in-oz (50 Ncm)	113 in-oz (80 Ncm)
Torque Conversion Table		
in-lb to in-oz	Multiply by 16	A in-lb = B in-oz = C Ncm
in-lb to Ncm	Multiply by 11.36	
Ncm to in-oz	Multiply by 1.416	

Compliance

Compliance of mixer system includes both the mixer motor and the controller.

Enclosure Rating (IP)	IP44 per IEC 60529
Chemical Resistance	Exposed material is painted or anodized aluminum and ABS
Compliance	CAN/CSA C22.2 No. 61010-1:2019 CAN/CSA-C22.2 No. 61010-2-051:2015 UL 61010-1:2019 UL 61010-2-051:2015 IEC 61010-1:2010, IEC 61010-2-051:2015 EN 61010-1:2010, EN 61010-2-051:2015 FCC Part 15 Subpart B, Class A ICES-003:2020 IEC 61326-1:2012 CISPR 11:2017 EN 61326-1:2013, EN 55011:2016
Environment	Indoors 1. Altitudes up to 6500 ft (2000 m) 2. Temperatures from 41°F to 104°F (5°C to 40°C) 3. Maximum relative humidity 80% for temperatures up to 88°F (31°C) decreasing linearly to 50% relative humidity at 104°F (40°C). 4. Pollution Degree 2 in accordance with IEC 664

RoHS	Restriction of Hazardous Substances (EU)
WEEE	Waste Electrical and Electronic Equipment (EU)
CSA	Canadian Standards Association
CE	Communauté Européenne (European Community)
UKCA	UK Conformity Assessed
UL	Underwriters Laboratories
FCC	Federal Communications Commission
IEC	The International Electrotechnical Commission
ICES	Interference Causing Equipment Standards
EMC	Electromagnetic Compatibility
EMI	Electromagnetic Interference

MAINTENANCE AND TROUBLESHOOTING

Maintenance is limited to cleaning the unit and removing the fan filter for cleaning or replacement. If a fault is detected when troubleshooting and cannot be corrected by the suggested remedy, contact your dealer for service.

Cleaning the Mixer/Controller System

Keep the mixer housing and controller enclosure clean with mild detergents. Never immerse or use excessive fluid.

Removing and Replacing Fan Filter

This controller has an internal fan that is protected by a dust filter over the vent. To remove the fan filter for replacement or cleaning, proceed with the following steps:

1. The fan filter is located on the bottom of the SD controller. Pry up the rivets holding the filter in place and squeeze the shank to remove, as shown in Figure 11.
2. If cleaning the fan filter, proceed as appropriate based on materials in contact with the filter. Avoid use of harsh scrubbers or brushes that could damage the mesh.
3. Ensure mesh is intact and dry before installing onto the SD controller.
4. Replace fan filter over vent and fix in place with the supplied rivets.
5. Verify fan filter is securely attached before returning the SD controller to its upright position.

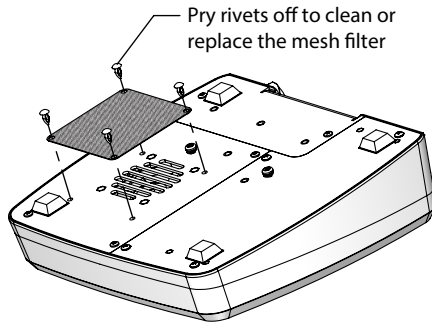


Figure 11: Removing Fan Filter

Replacement Parts

No user-serviceable parts are inside of this instrument. Refer servicing to your dealer.

The following parts are user-replaceable:

Description	Part Number
Mixer Keyless Chuck replacement - SP/SD	55008-10
Adjustable Tilt Mounting Bracket	55008-11
Replacement Fan Filter	55008-14

Troubleshooting

The controller microprocessor detects and indicates system faults. The display will show the error number. The following tables summarizes causes and suggested corrective actions. The system cannot be operated until the fault is corrected.

Error Code	Cause	Remedy
ERR3	No mixer motor connection	Plug motor cable into controller.

Symptom	Cause	Remedy
<p>POWER switch is ON.</p> <p>Mixer shaft does not rotate when START/PAUSE button is pressed.</p> <p>Digital display is not illuminated</p>	<ul style="list-style-type: none"> • Disconnected AC line cord • Defective line cord • Defective internal power supply • Defective controller • Controller overload 	<ol style="list-style-type: none"> 1. Check controller is plugged into a live line. 2. Check cord connections to the mains supply and controller. 3. Turn controller POWER OFF, then ON again to reset. 4. If controller display is not illuminated after reset, turn controller POWER OFF. 5. Wait approximately 30 minutes to allow the controller to cool down. 6. Turn controller POWER ON again to resume mixing. 7. If digital display is not illuminated, contact dealer for service.
<p>POWER switch is ON.</p> <p>Digital display shows H Ncm LED flashing Alarm beeping continuously</p>	<ul style="list-style-type: none"> • Motor overload caused by too much load (torque) on the motor or by a locked motor condition. 	<ol style="list-style-type: none"> 1. Press any button on controller to stop alarm beeping. 2. Turn controller POWER OFF. 3. Resolve the condition causing too much load or a locked motor. 4. Turn controller POWER ON again to resume mixing.
<p>POWER switch is ON.</p> <p>Mixer shaft does not rotate when START/PAUSE button is pressed.</p> <p>Digital display shows ERR3</p>	<ul style="list-style-type: none"> • Disconnected motor cable • Defective motor cable • Defective mixer motor or controller • Motor overheat caused by long running time at high loads 	<ol style="list-style-type: none"> 1. Check motor cable is connected to mixer controller. 2. Turn controller POWER OFF. 3. Reduce motor loads and/or environmental temperature. 4. Wait approximately 30 minutes to allow the motor to cool down. 5. Turn controller POWER On again to resume mixing. 6. If mixer did not reset, contact dealer for service

WARRANTY

The manufacturer warrants this product to be free from significant deviations from published specifications. If repair or adjustment is necessary within the 2 year warranty period, the problem will be corrected at no charge if it is not due to misuse or abuse as determined by the manufacturer. Repair costs outside the warranty period, or those resulting from product misuse or abuse, may be invoiced. To register the warranty online, go to the Cole-Parmer website address below:

www.coleparmer.com/product-warranty-registration



PRODUCT RETURN

To limit charges and delays, contact your dealer for authorization and shipping instructions before returning the product, either within or outside of the warranty period. Clean the motor and controller so that it is free from any materials which may be harmful. Provide an SDS or other safety data sheets for all chemicals used in conjunction with this system where appropriate. When returning the product, please state the reason for the return. For your protection, pack the product carefully, add labels and follow shipping directions provided. Insure it against possible damage or loss. Any damages resulting from improper packaging are your responsibility.

TECHNICAL ASSISTANCE

If you have any questions about the use of this product, contact your local dealer.

MODE D'EMPLOI

Cole-Parmer®

Mélangeur suspendu SD

Numéro de modèle de la commande du mélangeur 55008-07

Numéro de modèle du moteur du mélangeur 55008-08

Kit mélangeur suspendu SD

Numéro de modèle 55008-04

Mélangeur suspendu SD

Numéro de modèle 55008-05

ENGLISH

Instruction Manual

pages 3 - 22

FRANÇAIS

Mode d'emploi

pages 25 - 44

ESPAÑOL

Manual de instrucciones

paginas 47 - 68

LISTE DES ACCESSOIRES

pages 70-71

SOMMAIRE

CONSIGNES DE SÉCURITÉ	26
INSTRUCTIONS GÉNÉRALES	28
INTRODUCTION	28
Liste des pièces du colis	29
Cordons	29
Moteur	29
COMMANDES ET LED	30
PROCÉDURES D'INSTALLATION ET DE CONFIGURATION	31
Connexion du câble du moteur à la commande	31
Installation du support de fixation à inclinaison réglable	32
Installation avec un support de mélangeur	33
Installation du pivot	33
Installation avec une pince de cuve	34
Fixation de l'hélice	35
Démontage et fixation du mandrin	35
FONCTIONNEMENT DE LA COMMANDE DU MÉLANGEUR	35
Mise sous tension	35
Boutons	35
Réglage du régime du moteur	35
Réglage de la durée de fonctionnement	36
Réglage des limites de couple	36
Réglage du couple nul	37
Réglage du sens de rotation	37
Reprise	38
Témoin de surcharge	38
CARACTÉRISTIQUES	39
Dimensions	39
Moteur du mélangeur	39
Commande	40
Capacités de couple	40
Homologations	41
ENTRETIEN ET DÉPANNAGE	41
Nettoyage du mélangeur et de la commande	41
Retrait et remplacement du filtre du ventilateur	41
Pièces de rechange	42
Dépannage	42
GARANTIE	44
RETOUR DU PRODUIT	44
ASSISTANCE TECHNIQUE	44

CONSIGNES DE SÉCURITÉ



1. Les utilisateurs doivent s'être familiarisés avec le mélangeur et avoir lu l'intégralité du présent manuel. Si le mélangeur est utilisé avec des accessoires non fournis ou non recommandés par le fabricant, ou s'il est utilisé d'une manière non spécifiée par le fabricant, la protection assurée par l'équipement risque d'être altérée.
2. Le mélangeur doit être solidement fixé à un support stable. Fixez le mélangeur à un support Cole-Parmer à l'aide de la pince double (deux tiges) Cole-Parmer. Si vous utilisez d'autres supports ou pinces, assurez-vous d'immobiliser solidement le mélangeur de façon à ce qu'il ne bascule pas.
3. **ATTENTION** : Ce mélangeur n'est pas un appareil antidéflagrant. Ne pas l'utiliser avec des substances hautement inflammables ou explosives. Ne pas utiliser le mélangeur dans des atmosphères explosives, avec des substances dangereuses ou sous l'eau.
4. Les hélices en rotation peuvent provoquer des blessures corporelles graves. L'utilisateur doit faire preuve d'une extrême prudence et user de bon sens, quelle que soit la vitesse utilisée pour l'agitation.
5. Les hélices et les lames mélangeuses doivent être en bon état et leurs arbres doivent être rectilignes. Si le mélangeur vibre à des vitesses élevées, vérifier que l'arbre des lames n'est pas endommagé et réparer ou remplacer si nécessaire.
6. Il convient d'être particulièrement prudent lors du mélange de produits chimiques pour s'assurer que ces substances ne sont pas projetées hors du récipient utilisé. Faire particulièrement attention lors du passage à des vitesses de mélange plus élevées.
7. S'assurer que l'hélice mélangeuse n'entre pas en contact avec le récipient.
8. Ne pas utiliser l'appareil en ayant les pieds dans l'eau. Garder le mélangeur au sec et n'en immerger aucune partie, à l'exception de la lame mélangeuse, dans un liquide quelconque. Protéger contre les éclaboussures.
9. S'assurer qu'aucun vêtement ample, bijou ou cheveu ne puisse s'emmêler dans les pièces en rotation. Le mandrin en rotation rapide peut causer des blessures corporelles à l'opérateur.
10. Pour arrêter le mélangeur en situation d'urgence, appuyer sur le bouton DÉPART/PAUSE, placer l'interrupteur principal situé à l'arrière de l'appareil en position ARRÊT ou retirer la prise d'alimentation électrique.
11. Veiller à ce que le bouton DÉPART/PAUSE, l'interrupteur principal d'alimentation et le cordon d'alimentation secteur du mélangeur soient accessibles directement, en permanence et sans présenter aucun danger, particulièrement en cas de dysfonctionnement.
12. Le mélangeur doit être utilisé avec le cordon d'alimentation fourni. Le cordon et la fiche électrique avec terre constituent des éléments essentiels à la sécurité. Brancher toujours le mélangeur à une prise de courant mise à la terre. Ne jamais modifier la fiche.
13. Le mélangeur doit être alimenté électriquement avec la tension spécifiée sur l'étiquette du numéro de série. Se reporter à l'étiquette du numéro de série.

14. À l'exception des procédures décrites dans la section relative à l'entretien et au dépannage, les réparations doivent être effectuées par un centre de service agréé.
15. Porter les équipements de protection individuelle appropriés, tels que des lunettes de protection et tout vêtement adapté à l'application.
16. Lorsque le mélangeur est prêt pour mélanger des liquides et des solutions liquides/solides, l'opérateur doit s'assurer que toutes les consignes de sécurité sont respectées et doit déterminer l'hélice et la cuve adaptées à l'application.
17. Le mélangeur peut fonctionner en continu si la demande de couple tombe en dessous du seuil de fonctionnement continu (voir Capacités de couple).
18. Si le mélangeur est utilisé pendant une période prolongée au-dessus du seuil de fonctionnement continu (voir Capacités de couple), il risque de s'arrêter. Le mélangeur peut être remis en marche après avoir refroidi.

INSTRUCTIONS GÉNÉRALES

Lire les CONSIGNES DE SÉCURITÉ: Déballer le produit avec soin. S'assurer que le produit n'est pas endommagé et vérifier le contenu du colis par comparaison avec la liste des pièces du colis. Si le produit est endommagé ou si son contenu ne correspond pas à la liste des pièces du colis, en informer immédiatement le fournisseur.

Lire attentivement le manuel ! S'assurer que tous les utilisateurs ont lu et compris le présent manuel avant d'utiliser le mélangeur. Pour toute autre question ou demande de renseignements, veuillez contacter :

Cole-Parmer

625 East Bunker Court
Vernon Hills, IL 60061 États-Unis

Tél. : 847-549-7600

Numéro gratuit : 1-800-323-4340

Site Internet : www.coleparmer.com

E-mail: sales@antylia.com

INTRODUCTION

Le **mélangeur suspendu SD** présenté dans ce manuel est spécifiquement conçu pour une utilisation professionnelle en laboratoire et dans l'industrie pour l'agitation de différents liquides aux propriétés et applications diverses. Il se compose du moteur du mélangeur et d'une commande numérique de précision.

Le **mélangeur suspendu SD** présente une vitesse de rotation de 50 à 2500 t/min avec un couple maximal de 80 N.cm (113 oz-po).

Le mélangeur utilise un moteur à courant continu sans balai. Le régime est maintenu à une valeur constante par une rétroaction constante au moteur. Le mélangeur est équipé d'une protection intégrée contre les surcharges qui garantit qu'aucun dommage ne peut être causé au circuit électronique ou en cas de situation de surcharge, comme en cas de couple trop élevé ou de surchauffe du mélangeur.

Le mélangeur est conçu pour être fiable et durable. Il ne présente aucune pièce d'usure qui nécessite un entretien de la part de l'utilisateur pour toute la durée de vie normale du mélangeur.

Liste des pièces du colis

Comparez le contenu de votre colis aux éléments des listes suivantes pour vous assurer que toutes les pièces ont été reçues. Ne jetez aucun matériau d'emballage tant que toutes les pièces ne sont pas comptabilisées. Il est recommandé de conserver les matériaux d'emballage d'origine pour le transport et le stockage de l'équipement.

Le kit mélangeur suspendu SD 55008-04 identifié dans le présent manuel se compose des éléments suivants :

- Moteur du mélangeur modèle 55008-08 avec :
 - Support avec tige de fixation 152 mm (6 po)
 - Visserie
- Commande du mélangeur SD modèle 55008-07 avec :
 - Cordon adapté à l'Amérique du Nord (NA)

Le mélangeur suspendu SD 55008-05 cse compose du kit décrit ci-dessus ainsi que des éléments suivants :

- Support de mélangeur
- Pince double (tige)
- Arbre en acier inoxydable pour l'hélice, 457 mm x 10 mm (18 po x 3/8 po)
- Hélice en acier inoxydable 78 mm (3 po)

Cordons

Cordon adapté à l'Amérique du Nord inclus. Conforme à la directive RoHS. Pour obtenir des cordons internationaux, contactez votre distributeur.

Moteur

Le moteur des mélangeurs Cole-Parmer SP et SD, figure 1, peut être équipé d'un arbre traversant et présente un mandrin autoserrant remplaçable par l'utilisateur. La visserie du support est préinstallée pour permettre l'installation du support de fixation à inclinaison réglable.

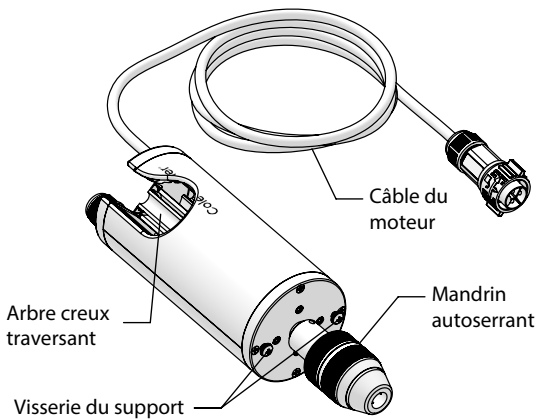


Figure 1 : Moteur du mélangeur avec son câble

COMMANDES ET LED

Commande du mélangeur SD 55008-07

La commande numérique de précision, figures 2, 3 et 4, permet d'allumer le moteur du mélangeur et d'en régler la vitesse, la minuterie, le sens de rotation et les limites de couple.

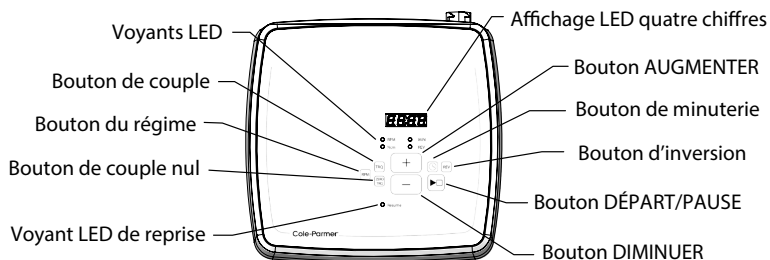


Figure 2 : Fonctions et affichage de la commande SD

La commande assure un contrôle précis et fiable de la vitesse du moteur (mélange), avec un « démarrage progressif » et une montée en puissance souple et graduelle jusqu'au régime de consigne. La vitesse constante est maintenue électroniquement par compensation automatique des variations de couple de charge, à la fois à haute et à basse vitesse. La compensation de puissance intégrée au moteur permet d'atténuer les dérives de régime lors des variations de charge. Le dispositif de limitation de puissance du moteur assure la protection du système en cas de blocage du moteur. Le sens de rotation du mélangeur est réversible.

L'affichage LED à quatre chiffres s'allume lorsque la commande est branchée à l'alimentation secteur et que l'interrupteur d'alimentation est en position MARCHE.

Les voyants LED permettent d'identifier la fonction en cours d'affichage (RÉGIME, MINUTERIE ou COUPLE). Si le voyant LED MIN ou Ncm clignote et que l'alarme sonore retentit, cela indique qu'une condition limite a été atteinte.

Le bouton AUGMENTER (+) augmente la valeur du paramètre et permet d'activer la reprise.

Le bouton DIMINUER (-) diminue la valeur du paramètre et permet de désactiver la reprise.

Le bouton DÉPART/PAUSE permet de démarrer la rotation du moteur. Si le mélangeur est déjà en marche, une pression sur DÉPART/PAUSE interrompt la rotation. La rotation s'arrête également lorsque la condition limite est atteinte. Le bouton permet également de régler les paramètres RÉGIME, MINUTERIE ou COUPLE, ainsi que la reprise.

Le bouton REV (INVERSION) permet de changer le sens de rotation du moteur. Par défaut, le mélangeur tourne dans le sens des aiguilles d'une montre, vu depuis le moteur vers l'extrémité de l'arbre de mélange. Appuyez sur le bouton REV pour que le moteur tourne dans le sens inverse des aiguilles d'une montre.

Le bouton MINUTERIE affiche le dernier réglage du compte à rebours et permet de régler le compte à rebours.

Le bouton RPM (RÉGIME) permet d'afficher la vitesse de rotation réelle de l'arbre du mélangeur ainsi que de régler la vitesse du moteur.

Le bouton TRQ (COUPLE) permet d'afficher la valeur actuelle du couple (Ncm) ainsi que de définir les limites de couple haute et basse. Le mélangeur s'arrête automatiquement lorsque les limites prédéfinies sont atteintes.

Le bouton COUPLE NUL (ZERO TRQ) met à zéro l'affichage du couple lorsque l'hélice tourne à l'air libre ou dans un liquide de référence.

Le voyant LED de reprise s'allume lorsque la reprise est activée. Par défaut, la reprise est désactivée.

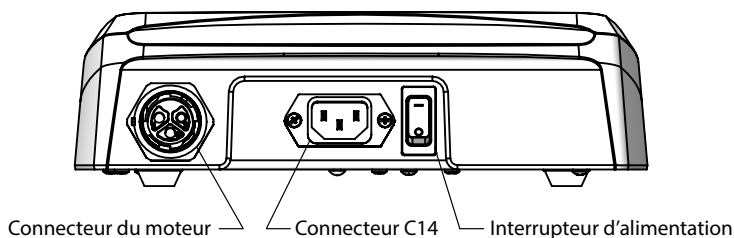


Figure 3 : Panneau arrière de la commande SD

L'interrupteur d'alimentation permet de mettre la commande et le moteur sous ou hors tension.

Le connecteur C14 est destiné au câble d'alimentation secteur.

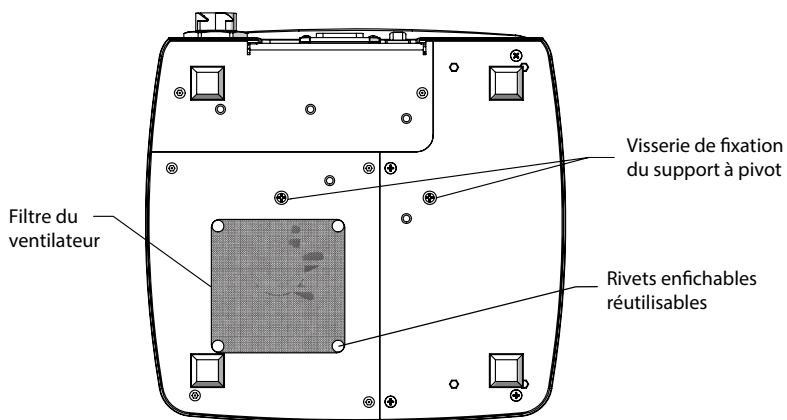


Figure 4 : Panneau inférieur de la commande SD

Les éléments de visserie sont accessibles sur la partie inférieure pour fixer solidement le support à pivot à la commande.

Le filtre du ventilateur est amovible, lavable et remplaçable.

PROCÉDURES D'INSTALLATION ET DE CONFIGURATION

Connexion du câble du moteur à la commande

Le connecteur du câble moteur est doté d'un mécanisme de verrouillage lorsque le câble est connecté. Cela permet d'empêcher toute déconnexion involontaire en cas de traction accidentelle sur le câble du moteur.

Pour garantir une connexion parfaite :

1. Orientez le connecteur du câble du moteur de sorte que l'icône de déverrouillage et les flèches soient vers le haut.
2. Enfoncez le connecteur sur la prise de la commande. La bague doit tourner et revenir à sa position initiale, verrouillant ainsi la connexion.

3. Pour déconnecter le câble du moteur, tournez la bague bleue dans le sens inverse des aiguilles .

Remarque: Si l'afficheur de la commande indique ERR3, le câble du moteur n'est pas complètement connecté. Déconnectez le câble et réinsérez-le dans la commande.

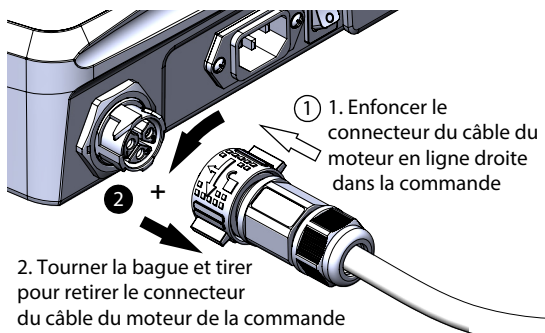


Figure 5 : Connexion et déconnexion du câble du moteur à la commande

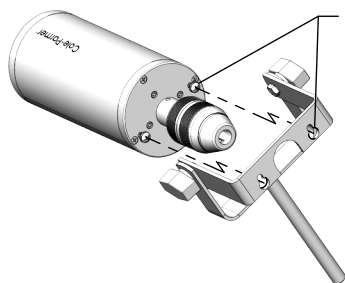
4. d'une montre (à gauche) pour déverrouiller. Vous pouvez maintenant retirer le connecteur de
5. la prise, comme illustré sur la figure 5

Installation du support de fixation à inclinaison réglable

Le moteur du mélangeur est équipé d'un support de fixation à inclinaison réglable livré avec l'ensemble. Le support de fixation est conçu pour être fixé à un support de mélangeur ou à une pince de cuve.

Procédez comme suit :

1. Le moteur est livré avec deux vis cruciformes, Phillips, noires installées dans le boîtier. Desserrez les vis sans les retirer pour procéder à l'installation du support de fixation.
2. Alignez les orifices de l'ensemble de fixation avec les vis desserrées. Placez les orifices sur les vis et faites glisser l'ensemble de fixation en position.
3. Serrez les vis pour immobiliser l'ensemble de fixation en position, comme indiqué sur la figure 6.



Placer le support sur le mélangeur de sorte que les vis préinstallées passent par l'orifice le plus large de l'encoche en trou de serrure.

Figure 6 : Installation du support de fixation à inclinaison réglable

Le mélangeur est maintenant prêt à être fixé à un support de mélangeur (fourni) ou à une pince de cuve. Les supports, pinces de cuve et pinces doubles (tiges) recommandées sont disponibles auprès de votre distributeur. Les numéros de pièces sont indiqués dans la section ACCESSOIRES.

Installation avec un support de mélangeur

1. Installez le support du mélangeur conformément aux instructions du constructeur.
2. Fixez une pince double (tige) à la tige verticale du support du mélangeur et serrez la vis de la pince.
3. Faites glisser la tige du support de fixation à inclinaison réglable dans la pince et immobilisez l'ensemble avec la vis de serrage.
4. Placez les pieds du support autour de la cuve. L'angle d'inclinaison est réglable de 0 à 30 degrés.
5. Réglez la hauteur du moteur du mélangeur en élevant ou en abaissant la pince sur le support. Une fois installée, l'hélice peut également être ajustée à la hauteur souhaitée.

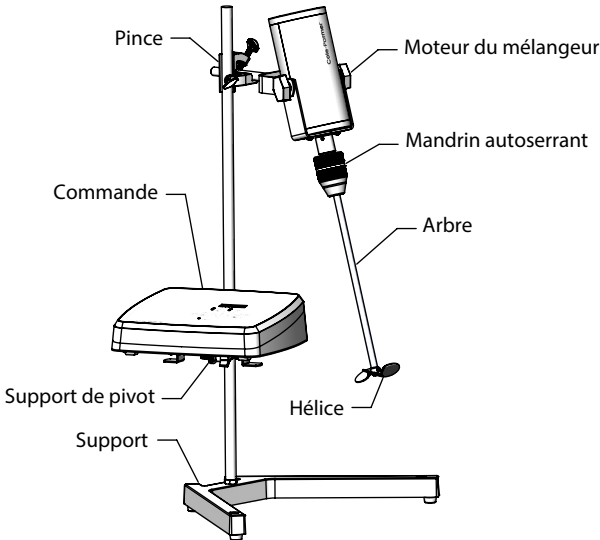


Figure 7 : Installation caractéristique du mélangeur avec un support et un pivot.

Remarque : La commande peut être placée sur n'importe quelle surface plane à moins de 183 cm (6 pi) du moteur du mélangeur ou être installée sur pivot (non fourni). Reportez-vous à la section ACCESSOIRES pour connaître les références des pièces.

Pour fixer le pivot, passez à la section suivante. Si la commande est placée ailleurs, procédez comme suit :

6. Branchez le câble de 183 cm (6 pi) entre le moteur du mélangeur et le panneau arrière de la commande.
7. Vérifiez que la commande n'est pas sous tension. Vérifiez que l'interrupteur principal d'alimentation du panneau arrière se trouve en position ARRÊT.
8. Connectez le cordon de 183 cm (6 pi) de la commande à une prise trois fils avec terre adaptée.

Installation du pivot

1. Retirez les deux vis cruciformes Phillips et les rondelles de blocage situées au fond de la commande.

2. Positionnez le support pivotant sur les orifices de montage du support, réinstallez les deux vis cruciformes Phillips et les rondelles de blocage et serrez l'ensemble.
3. Fixez une pince double (tige) à la tige verticale du support. Positionnez l'ensemble de façon à ce que le support de pivot soit à l'écart du moteur du mélangeur.
4. Faites glisser la tige de fixation du support de pivot dans le collier double (tige) ou dans le trou inférieur de la pince de cuve. Serrez la pince.
5. Ajustez la position de la commande en desserrant d'abord le bouton sur le support de pivot, réglez la position puis resserrez le bouton.
6. Branchez le câble de 183 cm (6 pi) entre le moteur du mélangeur et le panneau arrière de la commande.
7. Vérifiez que la commande n'est pas sous tension. Vérifiez que l'interrupteur principal d'alimentation du panneau arrière se trouve en position ARRÊT.
8. Connectez le cordon de 183 cm (6 pi) de la commande à une prise trois fils avec terre adaptée.
9. L'excédent de cordon provenant du moteur du mélangeur ou de la commande peut être enroulé autour des pattes du support à pivot pour éviter qu'il ne s'entortille autour de l'arbre du mélangeur en rotation.

Installation avec une pince de cuve

La pince de cuve est fixée sur le flanc d'une cuve et soutient à la fois le moteur du mélangeur et la commande (voir figure 8).

1. Placez la pince de cuve sur le bord de la cuve en gardant le grand bouton vers l'extérieur.
2. Laissez la pince reposer sur le bord de la cuve pour plus de stabilité et serrez le bouton.
3. Placez le moteur du mélangeur au-dessus de la substance à mélanger et insérez la tige du support de fixation à inclinaison réglable dans l'orifice supérieur sur la pince de cuve. Serrez fermement le bouton de verrouillage.
4. Choisissez l'hélice et l'arbre adaptés à votre application et procédez à l'installation comme suit. Consulter votre distributeur pour déterminer les dimensions appropriées de l'arbre. Reportez-vous à la section ACCESSOIRES pour connaître les références des pièces.

Remarque : La commande peut être placée sur n'importe quelle surface plane à moins de 183 cm (6 pi) du moteur du mélangeur ou peut être installée sur pivot (non fourni). Reportez-vous à la section ACCESSOIRES pour connaître les références des pièces. Pour fixer le pivot, consultez la section ci-dessus.

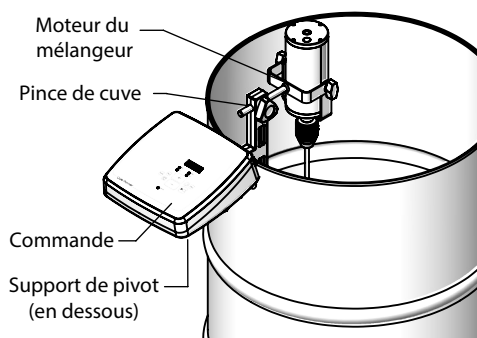


Figure 8 : Installation caractéristique d'un mélangeur avec une pince de cuve.

Fixation de l'hélice

Choisissez l'hélice et l'arbre adaptés à votre application et procédez à l'installation comme suit :

1. Placez l'hélice sur l'arbre et serrez la vis de fixation.
2. Ouvrez le mandrin. Insérez l'arbre de l'hélice dans le mandrin ouvert et réglez la hauteur de l'hélice. L'arbre creux traversant permet à l'arbre de l'hélice de passer par le haut du moteur du mélangeur, si nécessaire. Insérez l'arbre du mélangeur dans le mandrin de manière à ce qu'il dépasse d'au moins 8 cm dans l'arbre traversant, ceci pour garantir le maintien de l'arbre. L'arbre du mélangeur doit rester aussi court que possible pour réduire les vibrations de résonance causées par la flexion de l'arbre à des vitesses plus élevées.
3. Serrez le mandrin. Vous entendrez un cliquetis lorsque le mandrin approche de son serrage maximal.

Démontage et fixation du mandrin

1. Faites glisser le mandrin sur l'arbre du moteur, en alignant la vis de fixation avec l'orifice dans l'arbre.
2. Serrez la vis de fixation à l'aide de la clé hexagonale fournie.

FONCTIONNEMENT DE LA COMMANDE DU MÉLANGEUR

Mise sous tension

Assurez-vous que le câble du moteur est connecté et verrouillé à la prise de la commande et que la commande est branchée au réseau électrique avec le câble d'alimentation fourni. Placez l'interrupteur d'alimentation situé sur le panneau arrière en position MARCHE. Si la commande est branchée au secteur, l'affichage s'allume indiquant ainsi la mise sous tension. La mémoire interne de l'appareil permet de stocker les paramètres précédemment réglés, notamment la vitesse (ou régime), la minuterie, les limites de couple, le couple nul, le sens de rotation et la reprise. L'affichage indique le dernier mode utilisé. Lors de la première mise sous tension de la commande, l'affichage indique le mode RPM avec une valeur de 0, et le moteur est en PAUSE.

Boutons

DÉPART/PAUSE

Appuyez sur le bouton DÉPART/PAUSE pour que l'arbre du moteur du mélangeur tourne à la vitesse réglée. Toute pression sur le bouton DÉPART/PAUSE alors que l'arbre du moteur tourne permet d'arrêter le moteur.

RPM/TIMER/TRQ

Le changement de mode d'affichage (RPM, TIMER, TORQUE) s'effectue en appuyant une fois sur le bouton correspondant au mode souhaité. Le voyant DEL allumé sous l'affichage numérique indique le mode actuellement affiché. Des pressions supplémentaires sur le bouton de mode permettent d'avancer dans le réglage du paramètre souhaité.

Réglage du régime du moteur

Le mode d'affichage RPM, ou vitesse de rotation, est actif lorsque le voyant LED RPM est allumé. L'affichage numérique indique la vitesse réelle du mélangeur. Si le mélangeur est en PAUSE, l'écran indique 0. Le mode RPM permet de régler précisément la vitesse de rotation de l'arbre, de 50 t/min à 2500 t/min. La vitesse peut être réglée lorsque le mélangeur est en route ou en PAUSE.

1. En mode d'affichage RPM, appuyez sur le bouton RPM. L'affichage clignote et indique la vitesse réglée, cela signifie que cette vitesse peut être ajustée.

2. Utilisez les boutons AUGMENTER (+) et DIMINUER (-) pour régler la vitesse.
3. Le nouveau réglage clignote pendant cinq secondes, puis est validé comme étant le nouveau régime. Vous pouvez également appuyer sur les boutons RMP ou DÉPART/PAUSE pour valider le nouveau régime. L'affichage cesse de clignoter et revient à la vitesse réelle. Si le mélangeur est en cours de fonctionnement, la vitesse de rotation passe à la nouvelle vitesse réglée. Le voyant LED RPM clignote pendant que le moteur passe à la nouvelle vitesse.

Réglage de la durée de fonctionnement

Le mode d'affichage MINUTERIE est actif lorsque le voyant LED MIN est allumé et que l'affichage numérique indique les minutes et les secondes réglées ou restantes. Si l'affichage indique 00:00, le mélangeur est réglé pour un fonctionnement continu. L'affichage numérique indique la durée du compte à rebours, dont la valeur maximale est de 99 minutes et 59 secondes. Le compte à rebours commence lorsque l'on appuie sur le bouton DÉPART/PAUSE pour démarrer le mélangeur. Toute pression sur DÉPART/PAUSE alors que le moteur tourne arrête la rotation et interrompt le compte à rebours, l'affichage indique le temps restant. Appuyez sur le bouton DÉPART/PAUSE pour reprendre le mélange et le décompte. La minuterie peut être réglée lorsque le mélangeur est en route ou en PAUSE.

1. En mode d'affichage MINUTERIE, appuyez sur le bouton de la MINUTERIE (horloge). Les minutes de l'affichage se mettent à clignoter, indiquant qu'elles peuvent être réglées. Pour remettre la minuterie à 00:00, maintenez le bouton MINUTERIE enfoncé pendant deux secondes.
2. Utilisez les boutons AUGMENTER (+) et DIMINUER (-) pour régler les minutes du compte à rebours.
3. Appuyez à nouveau sur le bouton MINUTERIE. Les secondes de l'affichage se mettent à clignoter, indiquant qu'elles peuvent être réglées. Une pression répétée sur le bouton MINUTERIE permet de passer des minutes aux secondes.
4. Utilisez les boutons AUGMENTER (+) et DIMINUER (-) pour régler les secondes du compte à rebours.
5. Le nouveau réglage clignote pendant cinq secondes, puis est validé comme étant le nouveau compte à rebours. Vous pouvez également appuyer sur le bouton DÉPART/PAUSE pour valider cette nouvelle durée. Si le mélangeur est en cours de fonctionnement, l'affichage cesse de clignoter et démarre le compte à rebours. Si le mélangeur est en PAUSE, l'affichage cesse de clignoter et indique la nouvelle durée.

Une fois que le compte à rebours arrive à zéro, le mélangeur cesse de tourner. Le voyant LED MIN clignote et la commande émet un bip en continu jusqu'à ce que vous appuyiez sur n'importe quel bouton. La durée programmée est mémorisée après la fin du compte à rebours.

Réglage des limites de couple

Le mode d'affichage COUPLE est actif lorsque le voyant LED Ncm est allumé. L'affichage numérique indique le couple réel, donc si le mélangeur est en PAUSE, l'affichage indique 0. Les limites de couple peuvent être réglées lorsque le mélangeur est en route ou en PAUSE. Par défaut la limite supérieure de couple est de 80 Ncm, alors que la limite inférieure est de 0 Ncm.

La fonction de limitation de couple permet de personnaliser les limites supérieure et inférieure de couple pour un contrôle précis des procédés de mélange. Sur ce mélangeur il est possible de régler la limite supérieure ou inférieure du couple, ou de définir les deux limites simultanément pour appliquer une plage autorisée. L'écart minimal entre les limites supérieure et inférieure de couple est de 5 Ncm. Toute tentative de définir une limite de couple inférieure à 5 Ncm de l'autre limite entraîne l'affichage du code ER.

1. En mode d'affichage COUPLE, appuyez sur le bouton TRQ. L'affichage indique H à gauche et des chiffres clignotants à droite, cela signifie que la limite supérieure de couple peut être ajustée. Pour réinitialiser la limite supérieure de couple à la valeur par défaut, maintenez le bouton TRQ enfoncé pendant deux secondes.
2. Utilisez les boutons AUGMENTER (+) et DIMINUER (-) pour régler la limite supérieure de couple. Si la limite supérieure du couple est définie à moins de 5 Ncm de la limite inférieure

du couple, « ER » clignote sur l'affichage pour signaler une erreur. Attendez trois secondes pour que « ER » disparaisse ou appuyez sur le bouton AUGMENTER (+). La limite supérieure autorisée du couple clignote maintenant sur l'affichage.

- Appuyez à nouveau sur le bouton TRQ. L'affichage indique L à gauche et des chiffres clignotants à droite, cela signifie que la limite inférieure de couple peut être ajustée. Appuyez plusieurs fois sur le bouton TRQ pour faire défiler l'affichage entre les limites supérieure et inférieure. Pour réinitialiser la limite inférieure de couple à la valeur par défaut, maintenez le bouton TRQ enfoncé pendant deux secondes.
- Utilisez les boutons AUGMENTER (+) et DIMINUER (-) pour régler la limite inférieure de couple. Si la limite inférieure du couple est définie à moins de 5 Ncm de la limite supérieure du couple, « ER » clignote sur l'affichage pour signaler une erreur. Attendez trois secondes pour que « ER » disparaisse ou appuyez sur le bouton DIMINUER (-). La limite inférieure autorisée du couple clignote maintenant sur l'affichage.
- Le nouveau réglage de couple clignote pendant cinq secondes, les limites supérieure et inférieure sont alors validées. Vous pouvez également appuyer sur le bouton DÉPART/PAUSE pour valider les nouvelles limites de couple. Si le mélangeur est en cours de fonctionnement, l'affichage cesse de clignoter et indique le couple réel. Si le moteur est en PAUSE, l'affichage cesse de clignoter et indique 0.

Lorsque l'une des limites de couple est atteinte, le mélangeur arrête de tourner. Le voyant LED Ncm clignote et l'alarme de la commande émet un bip en continu. L'affichage indique H ou L pour signaler la limite qui a été atteinte. Une pression sur n'importe quel bouton de la commande arrête l'alarme et le clignotement du voyant LED.

Quelles que soient les limites fixées, il existe toujours une limite maximale du couple pour éviter la surchauffe du moteur. Si cette limite est dépassée, le mélangeur arrête de tourner et l'alarme sonore retentit. L'affichage numérique indique H, le voyant LED Ncm clignote, et l'alarme de la commande émet un bip en continu. Une pression sur n'importe quel bouton de la commande arrête l'alarme sonore. Cette erreur doit être corrigée ou l'avertissement de surcharge se déclenche à nouveau lorsque le moteur sera redémarré. Éteignez puis rallumez la commande pour réinitialiser.

Réglage du couple nul

La fonction COUPLE NUL permet de remettre à zéro l'affichage du couple pour que le couple réel requis pour le procédé de mélange puisse être lu directement sur l'affichage. Le couple est affiché en Ncm.

- Pendant que l'arbre du mélangeur tourne à l'air libre ou dans un liquide de référence, appuyez sur le bouton ZERO TRQ. Si le mode d'affichage COUPLE est actif, l'affichage numérique indique 0 et quatre points décimaux clignotent.
- L'arbre du mélangeur est ensuite placé dans la solution à mélanger. La valeur affichée représente maintenant le couple nécessaire pour mélanger la solution. Ce nombre peut maintenant être utilisé pour déterminer la limite de couple ou de coupure appropriée pour le mélange de plusieurs lots de même consistance.

Lorsque la fonction COUPLE NUL est activée, la limite maximale de couple qui peut être définie est ajustée de manière à ce que le couple absolu ne dépasse pas le couple du mélangeur. Exemple: La limite supérieure du couple est fixée à 65 Ncm, et le mélangeur fonctionne avec une valeur de couple réelle de 20 Ncm. Lorsque le bouton TRQ ZERO est enfoncé, la limite supérieure maximale de couple qui peut être définie est de 60 Ncm (80-20). Cette limite s'affiche lorsque l'opérateur est en mode de réglage des limites de couple.

Réglage du sens de rotation

Par défaut, l'arbre tourne dans le sens des aiguilles d'une montre, vu depuis le moteur vers l'extrémité de l'arbre de mélange. Pour régler le sens de rotation dans le sens inverse des aiguilles d'une montre, appuyez sur le bouton REV. Le voyant LED REV s'allume, indiquant que la rotation inverse est activée. Le sens de la rotation peut être réglé lorsque le mélangeur est en route ou en PAUSE.

Reprise

Ce mélangeur comprend une fonction facultative de reprise. Lorsque cette fonctionnalité est paramétrée, le mélangeur reprend le mélange après une panne de courant ou lorsque l'alimentation électrique a été coupée par un équipement de régulation (c'est-à-dire un automate programmable) ou lorsque le courant secteur a été coupé (c'est-à-dire lorsque le mélangeur a été débranché).

Lorsque le courant est rétabli, tous les réglages précédents sont mémorisés. S'il restait du temps sur le compte à rebours, la minuterie revient sur cette valeur. L'affichage numérique fait clignoter la vitesse réglée cinq fois, puis revient au mode (RPM, TIMER, TORQUE) présent avant la mise hors tension, ce dernier est indiqué par son voyant LED correspondant. Si le mélangeur était en cours de fonctionnement avant la mise hors tension, la vitesse réglée clignote cinq fois, puis le mélangeur passe automatiquement à la vitesse réglée pour reprendre le mélange. Si un compte à rebours était réglé, celui-ci redémarre et tous les autres paramètres réglés restent en vigueur (limites de couple, couple nul, sens de rotation). En sortie d'usine, la fonction de reprise du mélangeur est désactivée.

1. Pour activer la fonction de reprise, assurez-vous que le moteur est connecté à la commande, que la commande est branchée et que l'interrupteur d'alimentation est sur MARCHE. Le mélangeur est en PAUSE et ne tourne pas.
2. Maintenez enfoncé le bouton AUGMENTER (+). Appuyez ensuite sur le bouton DÉPART/PAUSE. Le voyant LED de reprise s'allume, indiquant que la fonctionnalité est active.
3. Pour désactiver la fonction de reprise, assurez-vous que le moteur est connecté à la commande, que la commande est branchée et que l'interrupteur d'alimentation est sur MARCHE. Le mélangeur est en mode PAUSE.
4. Maintenez enfoncé le bouton DIMINUER (-). Appuyez ensuite sur le bouton DÉPART/PAUSE. Le voyant LED de reprise s'éteint, indiquant que la fonctionnalité est désactivée.

Témoin de surcharge

La surcharge du moteur peut provenir d'une charge (couple) trop importante sur le mélangeur, du blocage du moteur ou de conditions environnementales qui entraînent la surchauffe du moteur ou de la commande. Lorsque le mélangeur approche d'une condition de surcharge, le régime du moteur diminue automatiquement pour réduire la charge sur l'appareil. Si la situation de surcharge persiste, le mélangeur s'arrête de tourner. L'affichage indique H, le voyant LED Ncm clignote, et l'alarme de la commande émet un bip en continu. Une pression sur n'importe quel bouton de la commande arrête l'alarme. Éteignez puis rallumez la commande pour réinitialiser.

Résolvez le problème à l'origine d'une charge trop importante ou d'un moteur bloqué. Cette erreur doit être corrigée ou l'avertissement de dépassement de limite se déclenchera à nouveau lorsque le mélangeur sera redémarré.

Le mélangeur restera à l'arrêt jusqu'à ce qu'il soit mis hors tension puis remis sous tension pour être réinitialisé. Si l'arrêt s'est produit en raison d'une surchauffe, le mélangeur ne se remettra pas en marche avant qu'un temps suffisant se soit écoulé pour que le mélangeur refroidisse. Arrêtez le mélangeur, attendez environ 30 minutes, puis remettez le mélangeur en marche pour reprendre le mélange.

CARACTÉRISTIQUES

Dimensions

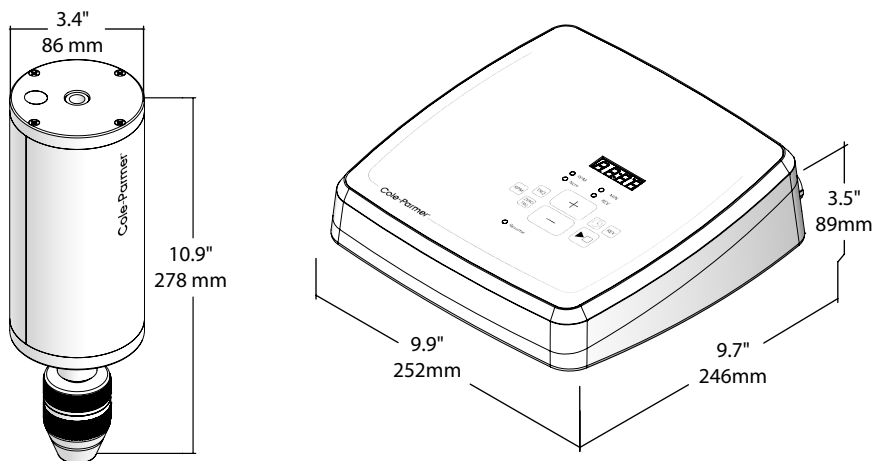


Figure 9: Dimensions du moteur du mélangeur et de la commande SD

Moteur du mélangeur

Sens de rotation	Dans le sens des aiguilles d'une montre ou dans le sens inverse à l'aide du bouton REV
Plage de vitesses	50 à 2500 t/min
Couple en sortie max. À 500 t/min	50 N.cm (71 oz-po) en continu 80 N.cm (113 oz-po) par intermittence
Volume maximal	120 L (31 gallon) [250 cP]
Viscosité maximale	2000 cP [< 4 L (1 gallon)]
Mandrin	Mandrin autoserrant à 3 mors pour des arbres d'un diamètre maximal de 10 mm (3/8 po)
Diamètre de l'arbre traversant	10 mm (3/8 po) maximum
Puissance mécanique produite	Moteur à courant continu sans balais de 120 W (1/6 hp)
Tension d'entrée max.	24 VCC
Courant d'entrée max.	8,4 A
Catégorie d'installation	Catégorie d'installation I selon CEI 664
Longueur du cordon du moteur	183 cm (6 pi) – CC
Poids	3.0 kg (6.6 lb)

Commande

Précision de la vitesse	± 2 % de la vitesse maximale
Tension	110 à 240 VCA, 50/60 Hz +/- 10 % de la tension nominale
Consommation maximale de courant	2,6 A
Sortie vers le moteur	24 V CC, 8,40 A, 201,6 W
Catégorie d'installation	Catégorie d'installation II selon CEI 664
Longueur du cordon NA	183 cm (6 pi) – CA
Poids	1.7 kg (3.8 lb)

Capacités de couple

	En continu	Par intermittence
Modèle SD 55008-04	50 N.cm (71 oz-po)	113 N.cm (80 oz-po)
Tableau de conversion de couple		
lb-po en oz-po	Multiplier par 16	A oz-po = B oz-po = C N.cm
oz-po en N.cm	Multiplier par 11,36	
N.cm en oz-po	Multiplier par 1,416	

Homologations

L'homologation du mélangeur inclut à la fois le moteur du mélangeur et sa commande.

Indice de protection (IP)	IP44 selon CEI 60529
Résistance chimique	Les matériaux exposés aux substances et à l'air libre sont de l'aluminium anodisé, de l'ABS et du polyester.
Homologations	CAN/CSA C22.2 No. 61010-1:2019 CAN/CSA-C22.2 No. 61010-2-051:2015 UL 61010-1:2019 UL 61010-2-051:2015 IEC 61010-1:2010, IEC 61010-2-051:2015 EN 61010-1:2010, EN 61010-2-051:2015 FCC Part 15 Subpart B, Class A ICES-003:2020 IEC 61326-1:2012 CISPR 11:2017 EN 61326-1:2013, EN 55011:2016
Environnement	En intérieur <ol style="list-style-type: none">1. Altitude jusqu'à 2000 m (6500 pi)2. Températures de 5 à 40 °C (41 à 104 °F)3. Humidité relative maximale de 80 %, jusqu'à 31 °C (88 °F), décroissant de façon linéaire à 50 % pour 40 °C (104 °F).4. Degré de pollution 2 selon la norme CEI 664.

RoHS Limitation de l'utilisation de certaines substances dangereuses (UE)

WEEE Déchets d'équipements électriques et électroniques (UE)

CSA Association canadienne de normalisation

CE Communauté européenne

UKCA UK Conformity Assessed

UL Underwriters Laboratories

FCC Federal Communications Commission

CEI Commission électrotechnique internationale

ICES Interference Causing Equipment Standards

CEM Compatibilité électromagnétique

IEM Interférences électromagnétiques

ENTRETIEN ET DÉPANNAGE

La maintenance se limite au nettoyage de l'appareil et au nettoyage ou au remplacement du filtre de ventilateur. Si un défaut est détecté lors du dépannage et qu'il ne peut pas être corrigé par le remède suggéré, contactez votre distributeur pour une réparation.

Nettoyage du mélangeur et de la commande

Maintenez les boîtiers du mélangeur et de la commande propres en les nettoyant avec des détergents doux. Ne pas immerger ou utiliser trop de liquide.

Retrait et remplacement du filtre du ventilateur

Cette commande est équipée d'un ventilateur interne qui est protégé par un filtre à poussière placé au-dessus de la prise d'air. Pour retirer le filtre du ventilateur afin de le remplacer ou de le nettoyer, procédez comme suit :

1. Le filtre du ventilateur est situé sur la partie inférieure de la commande SD. Soulevez les rivets

qui maintiennent le filtre en place et pressez la tige pour le retirer, comme indiqué sur la figure 11.

2. Si vous nettoyez le filtre du ventilateur, procédez comme indiqué en fonction des substances en contact avec le filtre. Évitez d'utiliser des brosses ou des produits agressifs qui pourraient endommager les mailles du filtre.
3. Assurez-vous que la maille du filtre est intacte et sèche avant de l'installer sur la commande SD.
4. Remplacez le filtre du ventilateur sur la prise d'air et fixez-le avec les rivets fournis.
5. Vérifiez que le filtre du ventilateur est bien fixé avant de remettre la commande SD en position verticale.

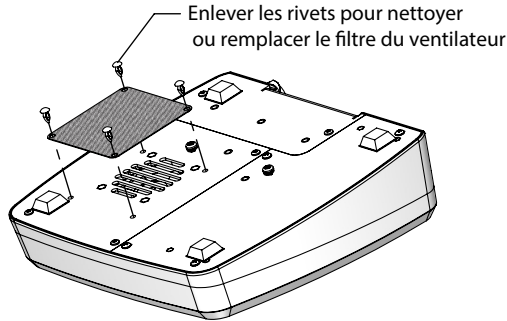


Figure 11 : Dépose du filtre du ventilateur

Pièces de rechange

Cet instrument ne contient aucune pièce pouvant être réparée par l'utilisateur. En cas de réparations, contactez votre distributeur.

Les pièces suivantes sont remplaçables par l'utilisateur :

Description	Référence
Mandrin autoserrant de rechange – SP/SD	55008-10
Support de fixation à inclinaison réglable	55008-11
Filtre de rechange du ventilateur	55008-14

Dépannage

Le microprocesseur du contrôleur détecte et signale les défauts du système. L'affichage indique le numéro de l'erreur. Les tableaux suivants récapitulent les causes et les actions correctives suggérées. Le système ne peut pas être utilisé tant que le problème n'est pas corrigé.

Code d'erreur	Cause	Remedy
ERR3	Pas de connexion du moteur du mélangeur	Branchez le câble du moteur à la commande

Symptom	Cause	Solution
<p>L'interrupteur d'alimentation est en MARCHE.</p> <p>L'arbre du mélangeur ne tourne pas lors d'une pression sur le bouton DÉPART/PAUSE.</p> <p>L'affichage numérique n'est pas allumé</p>	<ul style="list-style-type: none"> • Cordon secteur déconnecté • Cordon secteur défectueux • Alimentation électrique interne en panne • Commande défectueuse • Commande en surcharge 	<ol style="list-style-type: none"> 1. Vérifiez que la commande est branchée à une prise sous tension. 2. Vérifiez les connexions du cordon à l'alimentation secteur et à la commande. 3. Éteignez puis rallumez la commande pour réinitialiser. 4. Si l'affichage de la commande n'est pas allumée après la réinitialisation, mettez la commande hors tension. Le cas échéant, abaissez la température ambiante. 5. Attendez environ 30 minutes pour permettre à la commande de refroidir. 6. Remettez la commande sous tension pour reprendre le mélange. 7. Si l'affichage de la commande n'est pas allumée, consultez le distributeur pour tout dépannage.
<p>L'interrupteur d'alimentation est en MARCHE.</p> <p>L'arbre du mélangeur ne tourne pas lors d'une pression sur le bouton DÉPART/PAUSE.</p> <p>L'affichage numérique indique ERR3</p>	<ul style="list-style-type: none"> • Câble de moteur débranché • Câble de moteur défectueux • Dysfonctionnement du moteur ou de la commande du mélangeur • Surchauffe du moteur causée par une durée de fonctionnement prolongée à des charges élevées 	<ol style="list-style-type: none"> 1. Vérifiez que le câble du moteur est relié à la commande du mélangeur. 2. Éteignez la commande (hors tension) 3. Réduisez la charge sur le moteur et/ou la température ambiante. 4. Attendez environ 30 minutes pour permettre au moteur de refroidir. 5. Remettez la commande sous tension pour reprendre le mélange. 6. Si le mélangeur ne s'est pas réinitialisé lorsque l'alimentation a été coupée puis rétablie, consultez le distributeur pour tout dépannage.

<p>L'interrupteur d'alimentation est en MARCHE.</p> <p>L'affichage numérique indique H</p> <p>Le voyant LED Ncm clignote</p> <p>Une alarme sonore émet un bip en continu</p>	<ul style="list-style-type: none"> • Surcharge du moteur causée par une charge (couple) trop importante sur le moteur ou par un moteur bloqué. 	<ol style="list-style-type: none"> 1. Appuyez sur n'importe quelle touche de la commande pour arrêter l'alarme sonore. 2. Éteignez la commande (hors tension). 3. Résolvez le problème à l'origine d'une charge trop importante ou d'un moteur bloqué. 4. Remettez la commande sous tension pour reprendre le mélange.
--	---	--

GARANTIE

Le fabricant garantit que ce produit ne comporte aucune déviation significative des spécifications publiées. Pour toute réparation ou tout réglage pendant la période de garantie de deux (2) ans, le problème sera résolu gratuitement, s'il n'a pas été occasionné par une mauvaise utilisation ou un mauvais traitement de votre part, conformément aux indications du fabricant. Les frais de réparation en dehors de la période de garantie ou ceux qui résultent d'une maladresse de votre part vous seront facturés. Pour enregistrer la garantie en ligne, consultez l'adresse du site Internet Cole-Parmer ci-après :

www.coleparmer.com/product-warranty-registration



RETOUR DU PRODUIT

Pour limiter les frais et les retards, veuillez contacter votre distributeur pour les instructions d'autorisation et d'expédition avant de retourner le produit, que ce soit dans ou hors de la période de garantie. Nettoyez le moteur et la commande pour qu'ils soient exempts de toute substance dangereuse. Fournissez une fiche de données de sécurité pour chacun des produits chimiques utilisés avec ce système, le cas échéant. Veuillez préciser le motif du retour. Pour votre sécurité, emballez-le soigneusement le produit, appliquez des étiquettes et respectez les instructions d'expédition fournies. Assurez le colis contre les dommages ou les pertes éventuelles. Tout dommage résultant d'un emballage incorrect reste sous votre entière responsabilité.

ASSISTANCE TECHNIQUE

Pour toute question relative à l'utilisation du produit, veuillez contacter votre distributeur local.

MANUAL DE OPERACIONES

Cole-Parmer®

Mezclador superior SD

Controlador del mezclador modelo n.º 55008-07

Motor del mezclador modelo n.º 55008-08

Juego de mezclador superior SD

Modelo n.º 55008-04

Sistema de mezclador superior SD

Modelo n.º 55008-05

ENGLISH

Instruction Manual

pages 3 - 22

FRANÇAIS

Mode d'emploi

pages 25 - 44

ESPAÑOL

Manual de instrucciones

paginas 47 - 68

ACCESSORY TABLE

paginas 70-71

TABLA DE CONTENIDO

PRECAUCIONES DE SEGURIDAD	48
INSTRUCCIONES GENERALES	51
INTRODUCCIÓN	51
Lista de envío	52
Juegos de cable	52
Motor	52
FUNCIONES DE CONTROLADOR Y LUZ LED	53
PROCEDIMIENTOS DE INSTALACIÓN Y CONFIGURACIÓN	54
Conexión del cable del motor al controlador	54
Instalación del soporte de montaje de inclinación ajustable	55
Instalación con una base de mezclador	56
Instalación de la montura de pivote	56
Instalación con una abrazadera de tanque	57
Colocación del impulsor	58
Conexión y retiro del portaherramientas	58
OPERACIÓN DEL CONTROLADOR DEL MEZCLADOR	58
Encendido	58
Funciones de los botones	58
Ajuste de la velocidad del motor	58
Ajuste del tiempo de ejecución	59
Ajuste de los límites de torsión	59
Ajuste de torsión cero	60
Ajuste del sentido de la rotación	60
Reanudar	61
Indicador de sobrecarga	61
ESPECIFICACIONES	62
Dimensiones	62
Motor del mezclador	62
Controlador	63
Capacidades de torsión	63
Cumplimiento	64
MANTENIMIENTO Y SOLUCIÓN DE PROBLEMAS	64
Limpieza del sistema del mezclador/controlador	64
Extracción y limpieza del filtro del ventilador	65
Piezas de repuesto	65
Solución de problemas	65
GARANTÍA	67
DEVOLUCIÓN DEL PRODUCTO	67
ASISTENCIA TÉCNICA	67

PRECAUCIONES DE SEGURIDAD



1. Todos los operadores deben estar familiarizados con el mezclador y leer este manual completo. Si el mezclador se usa con accesorios no provistos o recomendados por el fabricante o se usa de una forma distinta a lo especificado por el fabricante, la protección provista con el equipo puede verse afectada.
2. El mezclador se debe fijar en forma segura a un soporte estable. Instale en una base Cole-Parmer con una abrazadera (de barra) doble Cole-Parmer. Si se utiliza otro tipo de base o abrazadera, el mezclador debe estar sujeto de manera que no se caiga si se voltea.
3. **PRECAUCIÓN:** Este producto no es un mezclador a prueba de explosión. No lo utilice con materiales altamente inflamables o explosivos. No haga funcionar el mezclador en atmósferas explosivas, con sustancias peligrosas o bajo el agua.
4. Los impulsores giratorios pueden ocasionar serias lesiones personales. Los operadores deben tener extremo cuidado y utilizar su buen juicio al mezclar a cualquier velocidad.
5. Todas las paletas mezcladoras e impulsores deben estar en buena condición, con sus ejes derechos. Si el mezclador vibra a altas velocidades, revise el eje de la paleta para detectar si tiene algún daño, y repárelo o reemplácelo de ser necesario.
6. Se debe tener sumo cuidado al mezclar productos químicos, para garantizar que ningún químico salpique fuera del envase de mezclado. Debe tenerse cuidado cuando se cambie la velocidad de mezclado a velocidades más altas.
7. Asegúrese de que el impulsor de mezclado no entre en contacto con el envase contenedor.
8. No operar mientras se esté parado sobre agua. Mantenga el mezclador seco y no sumerja ninguna de sus partes en ningún líquido, con excepción de la paleta. Protéjase contra salpicaduras.
9. Asegúrese de que ninguna parte de su ropa, accesorios o cabello puede enredarse en las piezas giratorias. Un portaherramientas de giro rápido puede causar lesiones al operador.
10. Para detener el mezclador en caso de emergencia, presione el botón START/PAUSE (Inicio/Pausa), coloque el interruptor de encendido en posición OFF (Apagado), o desconecte el cable de alimentación de la red eléctrica.
11. Asegúrese de poder acceder de inmediato al botón START/PAUSE (Inicio/Pausa), al interruptor de encendido y al cable de alimentación que conecta a la red eléctrica, en forma directa y sin riesgos en todo momento, y sobre todo en caso de falla.
12. El mezclador se debe utilizar con el cable de alimentación provisto. El cable y el tipo de enchufe con conexión a tierra son elementos de seguridad importantes. Conecte siempre el mezclador a un tomacorriente con conexión a tierra. No modifique el enchufe.
13. Se debe suministrar al mezclador el voltaje especificado en la etiqueta del n.º de serie. Consulte la etiqueta del n.º de serie.

14. Con excepción de los procedimientos especificados en la sección de mantenimiento y solución de averías, el servicio debe ser realizado por un centro de servicio autorizado.
15. Use equipo de protección personal adecuado, como protección para los ojos y la indumentaria adecuada para la aplicación.
16. Cuando el mezclador esté listo para mezclar líquidos y soluciones líquido/sólido, el operador debe asegurarse de cumplir todas las instrucciones de seguridad y debe determinar las especificaciones adecuadas del impulsor y contenedor.
17. El mezclador puede funcionar continuamente si la demanda de torsión descende por debajo de operación de torsión continua (consulte Capacidades de torsión).
18. Si se usa el mezclador durante un período de tiempo prolongado, por encima de la de operación de torsión continua (consulte Capacidades de torsión), puede apagarse. El mezclador se puede arrancar después de que se enfríe.

INSTRUCCIONES GENERALES

Lea las instrucciones de seguridad: Desempaque el mezclador con cuidado. Compruebe que el producto no esté deteriorado y verifique el contenido con la lista de envío. Si el producto está deteriorado o el contenido no corresponde con la lista de envío, notifique al proveedor de inmediato.

Lea el manual cuidadosamente. Asegúrese que todos los usuarios lean este manual completo antes de poner el mezclador en funcionamiento. Para preguntas o consultas adicionales, comuníquese con:

Cole-Parmer

625 East Bunker Corte

Vernon Hills, IL 60061 Estados Unidos

Tel: 847-549-7600

Llamada gratuita: 1-800-323-4340

Sitio web: www.coleparmer.com

Correo electrónico: sales@antylia.com

INTRODUCCIÓN

El Mezclador superior SD cubierto en este manual está específicamente diseñado para uso profesional en el laboratorio y en la industria para agitar numerosos líquidos con diversas propiedades y aplicaciones. Consta de un motor de mezclador y un controlador digital de precisión.

El Mezclador superior SD gira a 50-2500 rpm con una torsión máxima de 113 pulg-oz (80 Ncm).

El mezclador usa un motor de CC sin escobillas. La velocidad se mantiene constante con realimentación continua hacia el motor. El mezclador cuenta con protección integrada contra sobrecarga, la cual garantiza que no ocurran daños a la parte electrónica cuando se produce una situación de sobrecarga; como, por ejemplo, una demanda de torsión excesiva o recalentamiento del mezclador.

El mezclador está diseñado para confiabilidad y durabilidad. No contiene piezas desgastables que requieran servicio de mantenimiento por parte del usuario durante la vida útil normal del mezclador

Lista de envío

Compare el contenido del envío con los elementos indicados en las siguientes listas para comprobar que ha recibido todas las piezas. No deseche los materiales de empaque hasta que compruebe que tiene todas las piezas. Se recomienda conservar los materiales del empaque original para el transporte y almacenamiento.

El Juego de mezclador de laboratorio SD Modelo 55008-04 que se describe en este manual consta de:

- Motor del mezclador modelo n.º 55008-08, incluidos:
 - Soporte con accesorios de barra de montaje de 6 pulg (152 mm)
- Controlador del mezclador SD modelo n.º 55008-07, incluidos:
 - Juego de cables para Norteamérica (NA)

El Sistema de mezclador superior SD 55008-03 consta del juego anterior, además de:

- Base del mezclador
- Abrazadera (de barra) doble
- Eje de acero inoxidable para el impulsor, 18 pulg. x 3/8 pulg. (457 mm x 10 mm)
- Impulsor de acero inoxidable 3 pulg. (78 mm)

Juegos de cable

Juego de cables para Norteamérica incluido. Cumple con las directivas de RoHS. Para juegos de cable internacionales, comuníquese con su distribuidor.

Motor

El motor de mezclador Cole-Parmer SP y SD, Figura 1, cuenta con eje pasante, además de un portaherramientas sin llave que el usuario puede reemplazar. Los accesorios del soporte vienen preinstalados para permitir la instalación del soporte de montaje de inclinación ajustable.

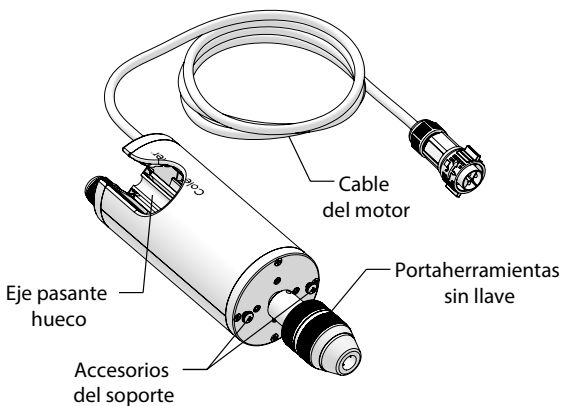


Figura 1: Motor de mezclador con cable

FUNCIONES DE CONTROLADOR Y LUZ LED

Controlador del mezclador SD 55008-07

El controlador digital de precisión, Figuras 2, 3 y 4, se usa para encender y ajustar la velocidad, el temporizador, la dirección, y los límites de torsión del motor del mezclador.

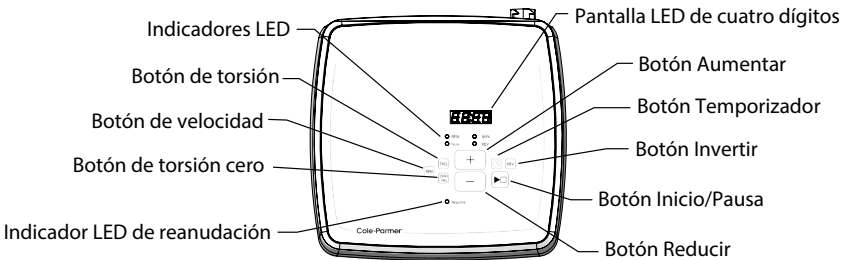


Figura 2: Funciones y pantalla del controlador SD

El controlador garantiza un control de velocidad (de mezclado) preciso y confiable, con “puesta en marcha moderada” y ajuste gradual, ininterrumpido de la velocidad. La velocidad constante se mantiene electrónicamente mediante compensación automática para cambios en la demanda de torsión de carga tanto a baja como alta velocidad. La compensación de la corriente del motor incorporada minimiza la variación de velocidad debidos a los cambios en la carga. La limitación de la corriente del motor protege el sistema en caso de una condición de bloqueo del rotor. La rotación del mezclador es reversible.

La pantalla LED de cuatro dígitos se encenderá cuando se conecte el controlador a la alimentación de la red eléctrica y el Interruptor de encendido esté en posición de encendido ON.

Los indicadores de luz LED identifican la función mostrada [SPEED (Velocidad), TIMER (Temporizador) o TORQUE (Torsión)]. Una luz LED intermitente MIN o Ncm y una alarma sonora indican que se ha alcanzado una condición límite.

El botón INCREASE aumenta el valor del parámetro y se usa para habilitar la función Resume (Reanudar).

El botón DECREASE reduce el valor del parámetro y se usa para deshabilitar la función Resume (Reanudar).

El botón START/PAUSE (Inicio/Pausa) inicia la rotación del motor. Si el mezclador ya está en funcionamiento, el botón START/PAUSE (Inicio/Pausa) hará una pausa en la rotación. La rotación también se detiene cuando se llega a una condición límite. También se usa para los ajustes SPEED (Velocidad), TIMER (Temporizador) o TORQUE (Torsión) y Resume (Reanudar).

El botón REVERSE (Invertir) cambia la dirección de la rotación del motor. El mezclador rota por defecto en el sentido de las agujas del reloj cuando se observa desde el motor vista abajo hacia el eje de mezclado. Presione el botón REV para que el motor rote en el sentido contrario a las agujas del reloj.

El botón TIMER (Temporizador) muestra el último conteo y se usa para el ajuste del temporizador de cuenta regresiva.

El botón SPEED (Velocidad) muestra la velocidad real del mezclador y se usa para el ajuste de la velocidad del motor.

El botón TORQUE (Torsión) muestra el valor actual de torsión (Ncm) y se usa para el ajuste de los límites alto y bajo de torsión. El mezclador se detiene automáticamente cuando se alcanzan los límites predefinidos.

El botón ZERO TORQUE (Torsión cero) pone la cero la pantalla cuando el impulsor funciona con aire o con un líquido de referencia.

La luz LED de la función RESUME se encenderá cuando se habilite la reanudación. Por defecto la función Resume está deshabilitada.

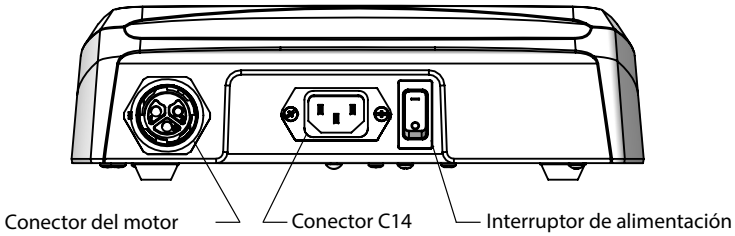


Figura 3: Panel posterior del controlador SD

El interruptor de alimentación POWER controla la alimentación hacia el controlador y el motor.

El Conector C14 es para el cable de alimentación hacia la red eléctrica.

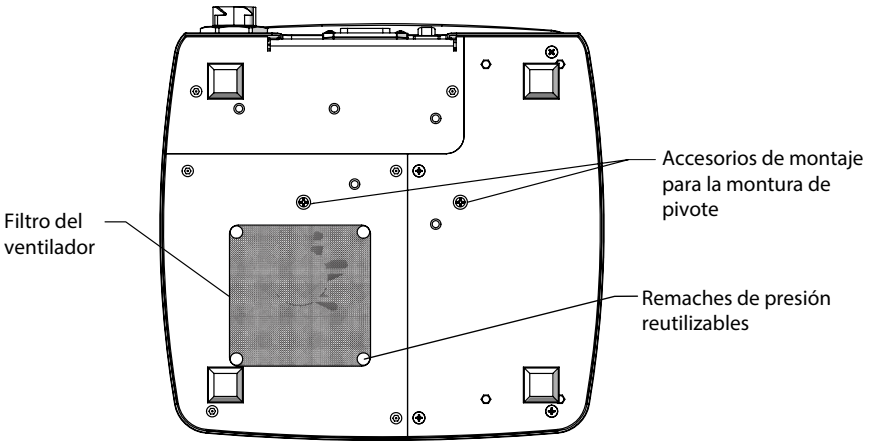


Figura 4: Panel posterior del controlador SD

A los accesorios de montaje se accede en la parte inferior para instalar de forma segura la montura de pivote en el controlador.

El filtro del ventilador es removible, se puede lavar para limpiarlo y es reemplazable.

PROCEDIMIENTOS DE INSTALACIÓN Y CONFIGURACIÓN

Conexión del cable del motor al controlador

El conector del cable del motor tiene un mecanismo de bloqueo cuando el cable está conectado. Esto es para prevenir la desconexión no intencional en caso de fuerza accidental sobre el cable del motor.

Para garantizar la conexión adecuada:

1. Oriente el conector del cable del motor para que el ícono de desbloqueo y las flechas queden viendo hacia arriba.

- Coloque el conector en el tomacorriente del controlador. El collar debe rotar y volver a su posición inicial, bloqueando la conexión.
- Para desconectar el cable del motor, gire el collar azul en sentido contrario de las agujas del reloj (izquierda) para liberar el bloqueo. El conector ahora se puede extraer del tomacorriente, como se indica en la Figura 5.

Nota: Si la pantalla del controlador indica ERR3, el cable del motor no está bien conectado. Desconecte el cable e insértelo de nuevo en el controlador.

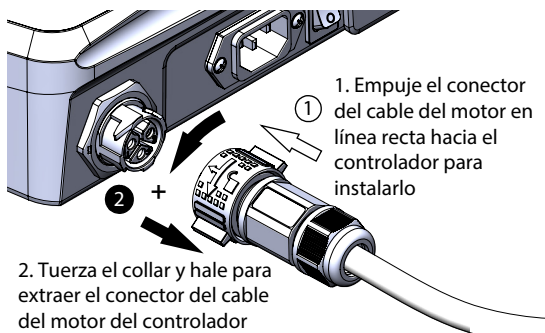


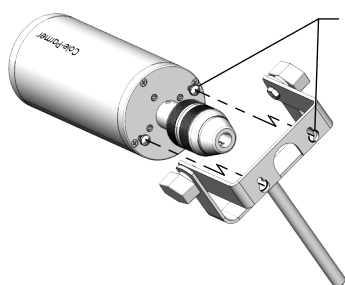
Figura 5: Conexión y desconexión del cable del motor al/del controlador

Instalación del soporte de montaje de inclinación ajustable

El motor del mezclador tiene un soporte de montaje de inclinación ajustable incluido. El soporte de montaje está diseñado para conectar a una base de mezclador o abrazadera de tanque.

Realice los siguientes pasos:

- El motor viene con dos tornillos de cabeza Phillips de color negro instalados en la cubierta. Afloje los tornillos sin sacarlos en la preparación para instalar el soporte de montaje.
- Alinee los orificios en el conjunto de montaje con los tornillos aflojados. Coloque las aberturas sobre los tornillos y deslice el conjunto de montaje hacia la posición instalada.
- Apriete los tornillos para asegurar el conjunto de montaje en la posición instalada, como se muestra en la Figura 6..



Coloque el soporte en el mezclador de manera que los tornillos preinstalados pasen a través del orificio grande de la ranura del ojo de la cerradura. Deje caer el soporte en su lugar y asegure los tornillos.

Figura 6: Instalación del soporte de montaje de inclinación ajustable

El mezclador ahora está listo para colocarlo en una base de mezclador (provista con el sistema) o una abrazadera de tanque. Las bases, abrazaderas de tanque y abrazadera (de barra) doble están disponibles a través de su distribuidor. Los números de piezas se indican en la sección ACCESORIOS.

Instalación con una base de mezclador

1. Prepare la base del mezclador de acuerdo con las instrucciones del fabricante.
2. Fije una abrazadera (de barra) doble a la barra vertical de la base del mezclador y apriete el tornillo de la abrazadera.
3. Deslice la barra del soporte de montaje de inclinación ajustable hacia el interior de la abrazadera y asegure con el tornillo de la abrazadera.
4. Coloque las patas de la base del mezclador alrededor del envase. El ángulo de inclinación se puede ajustar de 0 a 30 grados.
5. Ajuste la altura del motor del mezclador moviendo la abrazadera hacia arriba o hacia abajo en la base del mezclador. Una vez instalado, el impulsor se puede ajustar también a la altura deseada.

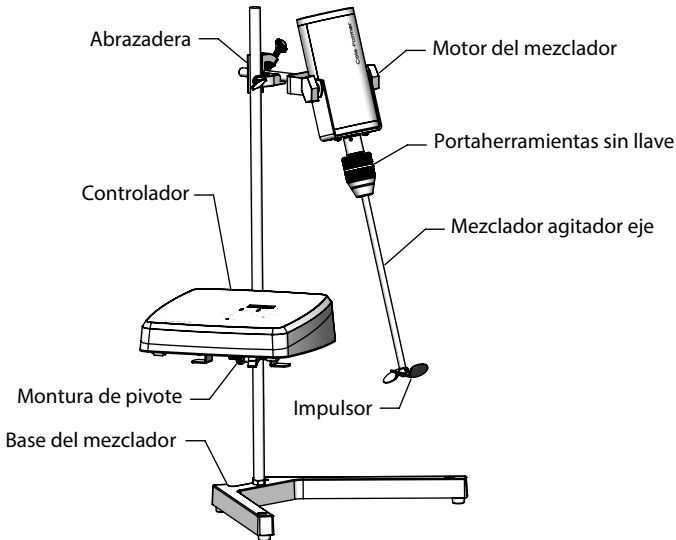


Figura 7: Instalación típica del mezclador con una base de mezclador y una montura de pivote.

Nota: El controlador se puede colocar sobre cualquier superficie plana a una distancia no mayor de 6 pies (183 cm) del motor del mezclador o se puede instalar sobre una montura de pivote (no provista). Consulte los números de pieza en la sección de ACCESORIOS.

Para colocar la montura de pivote, proceda con la sección siguiente. Si el controlador se coloca en otro lugar, realice este procedimiento:

6. Conecte el cable de 6 pies (183 cm) entre el motor del mezclador y el panel posterior del controlador.
7. Compruebe que el controlador no esté energizado. Asegúrese de que el interruptor POWER de encendido del panel posterior esté en posición de apagado OFF.
8. Conecte el cable de la línea de 6 pies (183 cm) del controlador a la fuente correcta de alimentación de 3 hilos, conectada a tierra.

Instalación de la montura de pivote

1. Retire los dos tornillos de cabeza Phillips y arandelas de seguridad en la parte inferior del controlador.

- Coloque el soporte de la montura de pivote sobre los orificios de montaje del soporte, reinstale los dos tornillos de cabeza Phillips y arandelas de seguridad y apriete.
- Coloque una abrazadera (de barra) doble a la barra de soporte vertical sobre la base y posicione de manera que el soporte de la montura de pivote esté libre del motor del mezclador.
- Deslice la barra de montaje del soporte de la montura del pivote hacia el interior de la abrazadera (de barra) doble o el orificio inferior de la abrazadera de tanque. Apriete la abrazadera.
- Ajuste la posición del controlador; para ello, primero afloje la perilla en el soporte de la montura de pivote, ajuste la posición y luego apriete de nuevo la perilla.
- Conecte el cable de 6 pies (183 cm) entre el motor del mezclador y el panel posterior del controlador.
- Compruebe que el controlador no esté energizado. Asegúrese de que el interruptor POWER de encendido del panel posterior esté en posición de apagado OFF.
- Conecte el cable de la línea de 6 pies (183 cm) del controlador a la fuente correcta de alimentación de 3 hilos, conectada a tierra.
- El excedente de cable del motor del mezclador o el controlador se puede enrollar alrededor de las orejas de la montura de pivote para prevenir que se enrede con el eje del mezclador en giro..

Instalación con una abrazadera de tanque

La pince de cuve est fixée sur le flanc d'une cuve et soutient à la fois le moteur du mélangeur et la commande (voir Figura 8).

- Coloque la abrazadera de tanque a lo largo del borde del tanque con la perilla grande hacia la parte exterior del tanque.
- Permita que la abrazadera descansa sobre el borde del tanque para mayor estabilidad y apriete la perilla.
- Coloque el motor del mezclador sobre el material que va a mezclar e inserte la barra del soporte de montaje de inclinación ajustable en el orificio superior en la abrazadera de tanque, apriete la perilla de bloqueo de forma segura.
- Seleccione un impulsor y un eje para la operación requerida e instale como se indica abajo. Comuníquese con su distribuidor para obtener el tamaño de eje adecuado. Consulte los números de pieza en la sección de ACCESORIOS.

Nota: El controlador se puede colocar sobre cualquier superficie plana a una distancia no mayor de 6 pies (183 cm) del motor del mezclador o se puede instalar sobre una montura de pivote (no provista). Consulte los números de pieza en la sección de ACCESORIOS. Para colocar la montura de pivote, consulte la sección anterior.

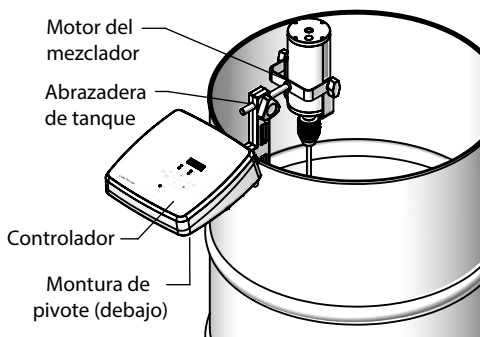


Figura 8: Instalación típica del mezclador con una abrazadera de tanque.

Colocación del impulsor

Seleccione un impulsor y un eje para la operación requerida e instale de este modo:

1. Coloque el impulsor en el eje y apriete el tornillo de fijación.
2. Abra el portaherramientas. Introduzca el eje del impulsor en el portaherramientas abierto y ajuste el impulsor a la altura deseada. El eje pasante hueco permite que el eje del impulsor pase a través de la parte superior del mezclador, de ser necesario. Inserte el eje del mezclador en el portaherramientas para que se extienda hacia el eje pasante al menos 3 pulgadas para garantizar una sujeción segura en el eje. Mantenga el eje del mezclador lo más corto posible para reducir las vibraciones resonantes causadas por el eje que flexiona a velocidades altas.
3. Asegure el portaherramientas. Se escuchará un sonido de cliqueo a medida que el portaherramientas se aproxime a su ajuste completo.

Conexión y retiro del portaherramientas

1. Deslice el portaherramientas sobre el eje del motor, alineando el tornillo de fijación con el orificio que atraviesa el eje.
2. Asegure el tornillo de fijación con la llave hexagonal proporcionada.

OPERACIÓN DEL CONTROLADOR DEL MEZCLADOR

Encendido

Asegúrese de que el cable del motor esté conectado y bloqueado en el controlador y que el controlador esté conectado a la alimentación de la red con el cable de alimentación proporcionado. Coloque el interruptor POWER de encendido del panel posterior en posición de encendido ON. Si el controlador está conectado a la red eléctrica, la pantalla se enciende para indicar que hay corriente. La memoria interna permite almacenar todos los parámetros previamente configurados incluidos velocidad, temporizador, límites de torsión, torsión cero, sentido de la rotación, y reanudar. La pantalla mostrará el último modo de operación. La primera vez que se enciende el controlador, la pantalla muestra el modo RPM con un valor de 0 y el motor en pausa.

Funciones de los botones

START/PAUSE

Al presionar el botón START/PAUSE (Inicio/Pausa) el eje del motor del mezclador gira a la velocidad configurada. Al presionar el botón START/PAUSE (Inicio/Pausa) mientras el eje del motor gira, el motor se detiene.

RPM/TIMER/TRQ

Para cambiar los modos de visualización [RPM, TIMER (Temporizador), TORQUE (Torsión)], hay que presionar el botón deseado una vez. La luz LED encendida debajo de la pantalla digital indica qué modo está actualmente en la pantalla. Al presionar el botón de modo más veces se avanza para configurar el parámetro deseado.

Ajuste de la velocidad del motor

El modo de visualización RPM está activo cuando la luz LED de RPM se enciende. La pantalla digital mostrará la velocidad actual del mezclador. Si el mezclador está en pausa, la pantalla indicará 0. El modo RPM ajusta con precisión la velocidad de salida del eje, desde 50 rpm hasta 2500 rpm. La velocidad se puede configurar cuando el mezclador está en pausa o funcionando.

1. En modo de visualización RPM, presione el botón RPM. La pantalla parpadeará y mostrará la velocidad configurada, indicando que se puede ajustar la selección actual.
2. Use los botones INCREASE (+) y DECREASE (-) para configurar la velocidad deseada.

3. La velocidad recién configurada parpadeará cinco segundos y luego se aceptará como la nueva velocidad. Si presiona los botones RPM o START/PAUSE, también se aceptará la nueva velocidad. La pantalla deja de parpadear y regresa a la velocidad actual. Si el mezclador está funcionando, la rotación cambiará a la velocidad recién configurada. La luz LED de RPM parpadeará mientras el motor acelere a la nueva velocidad.

Ajuste del tiempo de ejecución

El modo de visualización TIMER (Temporizador) está activo cuando la luz LED de MIN se enciende y la pantalla digital muestra los minutos y segundos configurados o restantes. Si la pantalla indica 00:00, el mezclador está configurado para operación continua. La pantalla digital mostrará el tiempo de cuenta regresiva configurado, hasta un máximo de 99 minutos y 59 segundos. La cuenta regresiva comienza cuando se presiona el botón START/PAUSE (Inicio/Pausa) para iniciar el funcionamiento del mezclador. Si se presiona el botón START/PAUSE (Inicio/Pausa) mientras el motor gira, se detendrá la rotación y el temporizador, y la pantalla TIMER (Temporizador) mostrará el tiempo restante. El temporizador y el mezclado se reanudarán al presionar el botón START/PAUSE (Inicio/Pausa). El temporizador se puede configurar cuando el mezclador está en pausa o funcionando.

1. En modo de visualización TIMER (Temporizador), presione el botón TIMER. Los minutos de la pantalla comenzarán a parpadear, indicando que puede ajustar los minutos. Para restablecer el temporizador a 00:00, presione y mantenga presionado el botón TIMER (Temporizador) dos segundos.
2. Use los botones INCREASE (+) y DECREASE (-) para configurar los minutos del temporizador según desee.
3. Presione el botón TIMER de nuevo. Los segundos de la pantalla comenzarán a parpadear, indicando que puede ajustar los segundos. Al presionar el botón TIMER varias veces alternará entre minutos y segundos.
4. Use los botones INCREASE (+) y DECREASE (-) para configurar los segundos del temporizador según desee.
5. El tiempo recién configurado parpadeará cinco segundos y luego se aceptará como el nuevo tiempo. Si presiona START/PAUSE, también se aceptará la nueva velocidad. Si el mezclador está funcionando, la pantalla deja de parpadear y se inicia la cuenta regresiva del temporizador. Si el mezclador está en pausa, la pantalla deja de parpadear y se muestra el nuevo tiempo configurado.

Cuando la cuenta regresiva del temporizador finaliza, el mezclador deja de girar. La luz LED MIN parpadeará y el controlador emitirá un pitido continuo hasta que presione cualquier botón del controlador. El tiempo configurado se recuerda después de finalizar la cuenta regresiva.

Ajuste de los límites de torsión

El modo de visualización TORQUE (Torsión) está activo cuando la luz LED de Ncm se enciende. La pantalla digital mostrará la torsión actual, por lo que si el mezclador está en pausa, la pantalla indicará 0. Los límites de torsión se pueden configurar cuando el mezclador está en pausa o funcionando. El límite predeterminado de alta torsión es de 80 Ncm, mientras que el límite de baja torsión es de 0 Ncm.

La función de límite de torsión permite personalizar los límites alto y bajo de torsión para la supervisión precisa de los procesos de mezclado. Este mezclador puede configurar el límite alto o bajo de torsión o tener ambos límites simultáneamente vigentes para un rango permisible controlado. El rango mínimo entre los límites alto y bajo de torsión es de 5 Ncm. Intentar configurar un límite de torsión dentro de 5 Ncm con respecto al otro límite dará como resultado el código de error ER en pantalla.

1. En modo de visualización TORQUE (Torsión), presione el botón TRQ. La pantalla mostrará «H» a la izquierda de la pantalla y los dígitos parpadearán a la derecha, para indicar que puede ajustar el límite de alta torsión. Para restablecer el límite de alta torsión al valor predefinido,

presione y mantenga presionado el botón TRQ dos segundos.

2. Use los botones INCREASE (+) y DECREASE (-) para ajustar el límite de alta torsión según desee. Si el límite de alta torsión se intenta ajustar dentro de 5 Ncm con respecto al límite de baja torsión, dará como resultado el código de error «ER» parpadeando en pantalla. Espere tres segundos hasta que el código de error «ER» desaparezca o presione el botón INCREASE (+). El límite de alta torsión permisible ahora parpadeará en pantalla.
3. Presione el botón TRQ de nuevo. La pantalla mostrará «L» a la izquierda de la pantalla y los dígitos parpadearán a la derecha, para indicar que puede ajustar el límite de baja torsión. Al presionar el botón TRQ varias veces alternará la pantalla entre límite alto y bajo. Para restablecer el límite de baja torsión al valor predeterminado, presione y mantenga presionado el botón TRQ dos segundos.
4. Use los botones INCREASE (+) y DECREASE (-) para ajustar el límite de baja torsión según desee. Si el límite de baja torsión se intenta ajustar dentro de 5 Ncm con respecto al límite de alta torsión, dará como resultado el código de error «ER» parpadeando en pantalla. Espere tres segundos hasta que el código de error «ER» desaparezca o presione el botón DECREASE (-). El límite de baja torsión permisible ahora parpadeará en pantalla.
5. El nuevo valor de torsión configurado parpadeará cinco segundos y luego se aceptarán ambos límites de alta y baja torsión. Si presiona START/PAUSE, también se aceptarán los nuevos límites de torsión. Si el mezclador está funcionando, la pantalla deja de parpadear y se muestra la torsión actual. Si el motor está en pausa, la pantalla deja de parpadear y muestra 0.

Cuando se alcanza uno de los límites de torsión, el mezclador deja de girar. La luz LED de Ncm parpadeará y la alarma del controlador emitirá un pitido continuo. La pantalla mostrará una «H» (Alto) o «L» (Bajo) para indicar qué límite se ha alcanzado. Al presionar cualquier botón del controlador, se detendrá la alarma y la intermitencia de la luz LED.

Sean cuales sean los límites configurados, siempre hay un límite máximo de torsión para proteger contra el recalentamiento del motor. Si se excede el límite, el mezclador deja de girar y la alarma emitirá un pitido. La pantalla digital mostrará una «H», la luz LED de Ncm parpadeará, y la alarma del controlador emitirá un pitido continuo. Al presionar cualquier botón del controlador, se detendrá la alarma. Este error se debe corregir; de lo contrario, la alarma de sobrecarga sonará de nuevo cuando se reinicie el motor. Apague la alimentación del controlador (OFF) y luego encienda (ON) para restablecerlo.

Ajuste de torsión cero

La función ZERO TORQUE (Torsión cero) se usa para poner a cero la pantalla de torsión de manera que se pueda leer directamente en pantalla la torsión actual requerida para el proceso de mezclado. La torsión se indica en Ncm..

1. Con el eje del mezclador funcionando con aire o con un líquido de referencia, presione el botón ZERO TRQ (Torsión cero). Si el modo de visualización TORQUE (Torsión) está activo, el valor de torsión en la pantalla digital será de 0 y cuatro puntos decimales parpadearán.
2. El eje del mezclador se coloca en la solución que se está mezclando. La lectura en pantalla indicará la torsión necesaria para mezclar la solución. Puede utilizar ese número para determinar el apagado adecuado o límite de torsión a la hora de mezclar varios lotes de la misma consistencia.

Cuando la función ZERO TORQUE (Torsión cero) está activa, el límite máximo de torsión que se puede configurar se ajusta de manera que la torsión absoluta no exceda la torsión del mezclador. Ejemplo: El límite de alta torsión se configura en 65 Ncm y el mezclador funciona con una lectura de torsión real de 20 Ncm. Cuando se presiona el botón ZERO TRQ (Torsión cero), el límite máximo de alta torsión que se puede configurar sería de 60 Ncm (80-20). Este límite se mostrará cuando el operador esté en modo de ajuste de límite de torsión.

Ajuste del sentido de la rotación

Por defecto, el eje rotará en el sentido de las agujas del reloj cuando se observa desde el motor vista abajo hacia el eje de mezclado. Para invertir el sentido de la rotación al sentido antihorario, presione el botón REV. La luz LED de REV se encenderá para indicar que la rotación inversa se

ha habilitado. El sentido de la rotación se puede modificar cuando el mezclador está en pausa o funcionando.

Reanudar

Este mezclador incluye una función Resume (Reanudar) opcional. Cuando se configura, el mezclador reanudará el mezclado después de una falla de corriente; cuando el equipo de control ha quitado la alimentación (es decir, el controlador lógico programable) o cuando la alimentación de CA ha sido interrumpida (es decir, cuando se desconecta el mezclador).

Cuando se restablece la alimentación, se recuerdan todos los ajustes anteriores. Si quedaba tiempo restante en la cuenta regresiva, el temporizador se restablecerá al valor configurado. La pantalla digital parpadeará la velocidad configurada cinco veces, luego la pantalla volverá al modo de visualización (RPM, TIMER, TORQUE) antes de cortarse la alimentación, indicado por la luz LED encendida. Si el mezclador estaba funcionando antes de desconectarse la alimentación, la velocidad configurada parpadeará cinco veces y luego el mezclador se acelerará automáticamente hasta la velocidad configurada para reanudar el mezclado. Si el temporizador de cuenta regresiva estaba configurado, reiniciará el conteo, y cualquier otro parámetro configurado estará vigente (límites de torsión, torsión cero, sentido de la rotación). El mezclador se envía de fábrica con la función Resume (Reanudar) desactivada.

1. Para activar la función Reanudar, asegúrese de que el motor esté conectado al controlador, el controlador esté enchufado y el interruptor de alimentación esté en posición de encendido ON. El mezclador está en pausa, no gira.
2. Presione y mantenga presionado el botón INCREASE (+). Luego, presione el botón START/PAUSE (Inicio/Pausa). La luz LED de Resume (Reanudar) se encenderá para indicar que la función de reanudación está activa.
3. Para deshabilitar la función Reanudar, asegúrese de que el motor esté conectado al controlador, el controlador esté enchufado y el interruptor de alimentación esté en posición de encendido ON. El mezclador está en modo de pausa.
4. Presione y mantenga presionado el botón DECREASE (-). Luego, presione el botón START/PAUSE (Inicio/Pausa). La luz LED de Resume (Reanudar) se apagará para indicar que la función de reanudación está inactiva.

Indicador de sobrecarga

La sobrecarga del mezclador puede ser causada por demasiada carga (torsión) en el mezclador, una condición de motor bloqueado o condiciones de operación que causen el recalentamiento del motor o del controlador. Cuando el mezclador se aproxima a una condición de sobrecarga, la velocidad del motor se puede ralentizar automáticamente para reducir la carga. Si la situación de sobrecarga continúa, el mezclador detendrá la rotación. La pantalla mostrará una «H», la luz LED de Ncm parpadeará, y la alarma del controlador emitirá un pitido continuo. Al presionar cualquier botón del controlador, se detendrá la alarma. Apague la alimentación del controlador (OFF) y luego encienda (ON) para restablecerlo.

Resuelva la condición que causa demasiada carga o un motor bloqueado. Este error se debe corregir; de lo contrario, la alarma de exceso de límite sonará de nuevo cuando se reinicie el mezclador.

El mezclador permanecerá detenido hasta restablecer la unidad; para ello apague la alimentación y enciéndala de nuevo. Si el apagado ocurrió por recalentamiento, el mezclador no volverá a encenderse hasta que haya pasado el tiempo suficiente para que el mezclador se enfríe. Apague el mezclador, espere unos 30 minutos y encienda el mezclador de nuevo para reanudar el mezclado.

ESPECIFICACIONES

Dimensiones

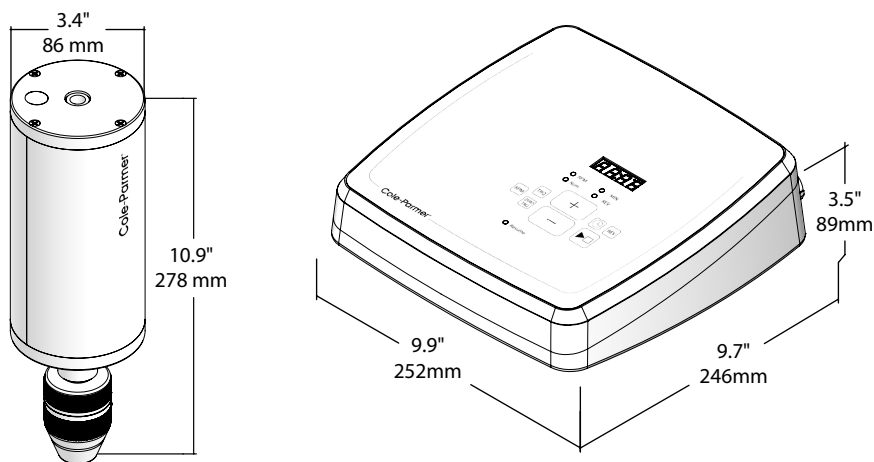


Figura 9: Dimensiones del motor del mezclador y el controlador SD

Motor del mezclador

Sentido de la rotación	En sentido de las agujas del reloj o en sentido contrario, controlada con el botón REV
Margen de velocidad	De 50 a 2500 rpm
Salida máx. de torsión A 500 rpm	71 pulg-oz (50 Ncm) Continua 113 pulg-oz (80 Ncm) Intermitente
Volumen máx.	Galón 31 (120 L) [250 cP]
Viscosidad máx.	2000 cP [< Galón 1 (4 L)]
Portaherramientas	El portaherramientas tipo tres mordazas sin llave acepta ejes de hasta 3/8 pulg. (10 mm) de diámetro
Diámetro del eje pasante	3/8 in (10 mm) máx.
Alimentación de salida mecánica	Motor de CC sin escobilla 1/6 hp, 120 vatios
Voltaje de entrada máx.	24 V CC
Corriente de entrada máx.	8,4 Amp
Categoría de instalación	Categoría de instalación I según IEC 664
Longitud de cable del motor	6 pies (183 cm) - CC
Peso	6.6 lb (3.0 kg)

Controlador

Precisión de velocidad	± 0,2 % velocidad completa
Voltaje	De 110 a 240 V CA, 50/60 Hz +/- 10 % del voltaje nominal
Consumo de corriente máx.	2,6 Amp
Salida eléctrica al motor	24 voltios CC, 8,40 amp, 201,6 vatios
Categoría de instalación	Categoría de instalación II según IEC 664
Longitud de cable de alimentación NA	6 pies (183 cm) - CA
Peso	3.8 lb (1.7 kg)

Capacidades de torsión

	En continu	Par intermittence
Modelo SD 55008-04	71 pulg-oz (50 Ncm)	113 pulg-oz (80 Ncm)
Tabla de conversión de torsión		
pulg-lb a pulg. oz	Multiplicar por 16	A pulg-lb = B pulg-oz = C Ncm
De pulg-lb a Ncm	Multiplicar por 11,36	
De Ncm a pulg-oz	Multiplicar por 1,416	

Cumplimiento

El cumplimiento con el sistema de mezclador incluye tanto el motor del mezclador como el controlador.

Capacidad nominal de la caja (IP)	IP44 según IEC 60529
Resistencia química	El material expuesto es de aluminio anodizado, ABS y poliéster.
Cumplimiento	CAN/CSA C22.2 No. 61010-1:2019 CAN/CSA-C22.2 No. 61010-2-051:2015 UL 61010-1:2019 UL 61010-2-051:2015 IEC 61010-1:2010, IEC 61010-2-051:2015 EN 61010-1:2010, EN 61010-2-051:2015 FCC Part 15 Subpart B, Class A ICES-003:2020 IEC 61326-1:2012 CISPR 11:2017 EN 61326-1:2013, EN 55011:2016
Environnement	En interiores <ol style="list-style-type: none">1. Alturas de hasta 6500 pies (2000 m).2. El margen de temperatura debe estar entre 41 °F y 104 °F (entre 5 y 40 °C)3. Humedad relativa máxima de 80% para temperaturas de hasta 88 °F (31 °C) en disminución lineal de hasta un 50 % de humedad relativa a 104 °F (40 °C).4. Grado de polución 2 conforme a IEC 664.

RoHS	Restricción de sustancias peligrosas (UE)
WEEE	Desecho de equipos eléctricos y electrónicos) (UE)
CSA	Asociación Canadiense de Normalización
CE	Comunidad Europea
UKCA	Conformidad con el RU evaluada
UL	Underwriters Laboratories
FCC	Comisión Federal de Comunicaciones
IEC	Comisión Electrotécnica Internacional
ICES	Estándares de equipos que causan interferencias
CEM	Compatibilidad Electromagnética
IEM	Interferencia Electromagnética

MANTENIMIENTO Y SOLUCIÓN DE PROBLEMAS

El mantenimiento se limita a la limpieza de la unidad y a extraer el filtro del ventilador para su limpieza o reemplazo. Si se detecta una falla a la hora de solucionar un problema y no puede corregirse con la solución sugerida, comuníquese con su distribuidor para obtener servicio.

Limpieza del sistema del mezclador/controlador

Mantenga la cubierta del mezclador y la caja del controlador limpias con detergentes suaves. Nunca sumerja en líquidos ni use líquidos en exceso para la limpieza.

Extracción y limpieza del filtro del ventilador

Este controlador cuenta con un ventilador interno protegido por un filtro de polvo sobre el orificio de ventilación. Para extraer el filtro del ventilador para su limpieza o reemplazo, proceda de este modo:

1. El filtro del ventilador está ubicado en la parte inferior del controlador SD. Saque los remaches que sostienen el filtro en su sitio y apriete el cuerpo para extraerlo, como se indica en la Figura 11.
2. Si va a limpiar el filtro del ventilador, proceda como corresponda para los materiales que entran en contacto con el filtro. Evite usar esponjas de lavar o cepillos abrasivos que puedan dañar la malla.
3. Asegúrese de que la malla esté intacta y seca antes de instalarla en el controlador SD.
4. Reemplace el filtro del ventilador sobre el orificio de ventilación y ajuste en su sitio con los remaches suministrados.
5. Verifique si el filtro del ventilador está colocado de forma segura antes de devolver el controlador SD a su posición vertical.

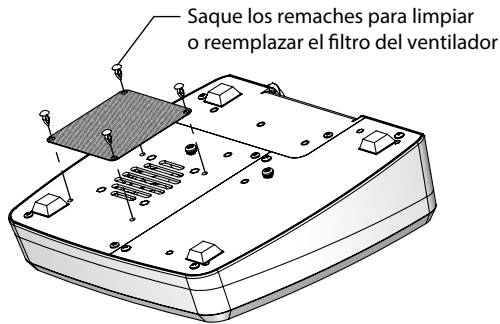


Figura 11: Extracción del filtro del ventilador

Piezas de repuesto

Este instrumento no tiene piezas a las que el usuario pueda hacerles servicio. Remita el servicio a su distribuidor.

El usuario puede reemplazar las siguientes piezas:

Descripción	Número de pieza
Reemplazo del portaherramientas sin llave - SP/SD	55008-10
Soporte de montaje de inclinación ajustable	55008-11
Reemplazo del filtro del ventilador	55008-14

Solución de problemas

El microprocesador del controlador detecta e indica fallas del sistema. La pantalla mostrará el número de error. Las siguientes tablas resumen las causas y acciones correctivas sugeridas. El sistema no se puede poner en funcionamiento hasta corregir la falla.

Código de error	Causa	Solución
ERR3	No hay conexión con el motor del mezclador	Enchufe el cable del motor al controlador

Síntoma	Causa	Solución
<p>El interruptor de alimentación está en posición de encendido ON.</p> <p>El eje del mezclador no gira cuando se presiona el botón START/PAUSE (Inicio/ Pausa).</p> <p>La pantalla digital no se enciende.</p>	<ul style="list-style-type: none"> • Cable de la línea de CA desconectado. • Cable de línea defectuoso. • Fuente de alimentación interna defectuosa. • Controlador defectuoso. • Sobrecarga del controlador. 	<ol style="list-style-type: none"> 1. Compruebe que el controlador esté conectado a una línea energizada. 2. Compruebe las conexiones de cable hacia la alimentación de la red eléctrica y el controlador. 3. Apague la alimentación del controlador (OFF) y luego encienda (ON) para restablecerlo. 4. Si la pantalla del controlador no se enciende después de restablecerlo, apague la alimentación del controlador (OFF). Reduzca la temperatura ambiente, en caso aplicable. 5. Espere a que el controlador se enfríe unos 30 minutos aprox. 6. Encienda el controlador de nuevo para reanudar el mezclado. 7. Si la pantalla digital no se enciende, comuníquese con su distribuidor para el servicio.
<p>El interruptor de alimentación está en posición de encendido ON.</p> <p>El eje del mezclador no gira cuando se presiona el botón START/PAUSE (Inicio/ Pausa).</p> <p>La pantalla digital muestra el código de error ERR3</p>	<ul style="list-style-type: none"> • Cable del motor desconectado. • Cable del motor defectuoso. • Motor o controlador del mezclador defectuosos. • El exceso de temperatura del motor es causada por el funcionamiento prolongado con cargas elevadas. 	<ol style="list-style-type: none"> 1. Compruebe que el cable del motor esté conectado al controlador del mezclador. 2. Apague la alimentación del controlador (OFF). 3. Reduzca las cargas del motor y/o la temperatura ambiental. 4. Espere a que el motor se enfríe unos 30 minutos aprox. 5. Encienda el controlador de nuevo para reanudar el mezclado. 6. Si el mezclador no se restableció al apagar la alimentación y encender de nuevo (OFF->ON), comuníquese con su distribuidor para el servicio.

<p>El interruptor de alimentación está en posición de encendido ON.</p> <p>El eje del mezclador no gira cuando se presiona el botón START/PAUSE (Inicio/Pausa).</p> <p>La pantalla digital muestra una «H» La luz LED de Ncm parpadea La alarma emite un pitido continuo</p>	<ul style="list-style-type: none"> • Sobrecarga del motor causada por demasiada carga (torsión) en el motor o una condición de motor bloqueado. 	<ol style="list-style-type: none"> 1. Presione cualquier botón del controlador para detener la alarma. 2. Apague la alimentación del controlador (OFF). 3. Resuelva la condición que causa demasiada carga o un motor bloqueado. 4. Encienda el controlador de nuevo para reanudar el mezclado.
--	--	---

GARANTÍA

El fabricante garantiza que este producto está libre de deSDiaciones importantes con respecto a las especificaciones publicadas. Si requiere reparación o ajuste dentro del período de 2 años de garantía, se corregirá el problema sin costo si no ha sido causado por uso indebido o abuso según lo determine el fabricante. Los costos de reparación fuera del período de garantía, o los que deriven del uso indebido o abuso del producto, pueden ser facturados. Para registrar el producto en línea, vaya a la página web de Cole-Parmer:

www.coleparmer.com/product-warranty-registration



DEVOLUCIÓN DEL PRODUCTO

Para limitar los costos y las demoras, comuníquese con su distribuidor para recibir autorización e instrucciones de envío antes de devolver el producto, ya sea dentro o fuera del período de garantía. Limpie el motor y el controlador para que quede libre de materiales que puedan ser perjudiciales. Provea los las hojas de datos de seguridad (HDS) u otras hojas de datos de seguridad de los productos químicos empleados con este sistema, según corresponda. Al devolver el producto, indique el motivo de la devolución. Para su protección, empaque el producto con cuidado, agregue etiquetas y siga las instrucciones de envío proporcionadas. Asegúrelo contra posibles daños o pérdida. Cualquier daño que derive del empaçado indebido es su responsabilidad.

ASISTENCIA TÉCNICA

Si tiene preguntas acerca del uso de este producto, comuníquese con su distribuidor local.

ACCESSORY TABLE

Liste des accessoires

Lista de accesorios









Cole-Parmer®












ACCESSORIES

The accessories listed below, used for mounting the mixer head and controller, are available from your dealer. Many other accessories such as shafts and impellers are also available. Contact your dealer for the full line of available accessories.

Les accessoires énumérés ci-dessous, utilisés pour le montage de la tête du mélangeur et de la commande, sont disponibles auprès de votre distributeur. De nombreux autres accessoires, tels que des arbres et des hélices, sont également disponibles. Contactez votre distributeur pour connaître la gamme complète des accessoires disponibles.

Los accesorios abajo listados, utilizados para instalar el cabezal del mezclador y el controlador, están disponibles a través de su distribuidor. También hay disponibles muchos otros accesorios como ejes e impulsores. Comuníquese con su distribuidor para ver la línea completa de accesorios disponibles.

	Part Number	Description
	55008-06	Cole-Parmer SP Controller 91 in-oz (64 Ncm) max torque 25 gal (95 L) [250 cP] 1000 cP [$<$ 1 gal (4 L)]
	55008-07	Cole-Parmer SV Controller 113 in-oz (80 Ncm) max torque 31 gal (120 L) [250 cP] 2000 cP [$<$ 1 gal (4 L)]
	55008-08	Cole-Parmer SP/SV Mixer Motor 50-2500 rpm Keyless chuck 6 in (152 mm) mounting rod with tilt bracket
	08041-22	Double (rod) Clamp
	04552-70	Pivot Mount for Controller, includes clamp
	04552-80	Mixer Stand, 19-1/4 x 11 in (489 x 279 mm) base with 5/8 in dia x 28 in (16 x 711 mm) stainless steel rod
	04552-65	Tank Clamp
	04552-25	Shaft, Stainless Steel, 3/8 in dia x 12 in (10 x 305 mm) • Accepts 5/16 in or 3/8 in (8 mm or 10 mm) bore propellers
	04552-35	Shaft, Stainless Steel 3/8 in dia x 18 in (10 x 457 mm) • Accepts 5/16 in or 3/8 in (8 mm or 10 mm) bore propellers
	04552-00	Shaft, Stainless Steel, 3/8 in dia x 24 in (10 x 610 mm) • Accepts 5/16 in or 3/8 in (8 mm or 10 mm) bore propellers
	04552-05	Shaft, Stainless Steel, 3/8 in dia x 30 in (10 x 762 mm) • Accepts 5/16 in or 3/8 in (8 mm or 10 mm) bore propellers

	04552-20	Shaft, Stainless Steel 5/16 in dia x 12 in (8 x 305 mm)
	04552-30	Shaft, Stainless Steel, 5/16 in dia x 18 in (8 x 457 mm)
	04552-40	Three-blade Propeller, Stainless Steel, 1 in dia x 5/16 in bore dia (25 x 8 mm)
	04552-45	Three-blade Propeller, Stainless Steel, 1.5 in dia x 5/16 in bore dia (38 x 8 mm)
	04552-50	Three-blade Propeller, Stainless Steel, 2 in dia x 5/16 in bore dia (50 x 8 mm)
	04552-60	Three-blade Propeller, Stainless Steel, 3 in dia x 5/16 in bore dia (78 x 8 mm)
	04552-55	Three-blade Propeller, Stainless Steel, 2 in dia x 3/8 in bore dia (50 x 10 mm)
	04552-10	Turbine Propeller, Stainless Steel, 2 in dia x 5/16 in bore dia (50 x 8 mm)
	04552-15	Turbine Propeller, Stainless Steel, 2 in dia x 3/8 in bore dia (50 x 10 mm)
	04552-61	Straight Blade impeller only 1-9/16 in dia x 5/16 in bore dia (40 x 8 mm)
	04552-62	Dispersion Blade impeller only 1-7/8 in dia x 5/16 in bore dia (48 x 8 mm)
	50801-53	Square Blade impeller; 2-3/4 in (70 mm) dia with 5/16 x 16 in shaft (8 x 406 mm)
	50801-56	Cross Blade impeller; 2 in (50 mm) dia with 5/16 x 16 in shaft (8 x 406 mm)
	50801-58	Collapsible blade impeller; 3-1/2 in (90 mm) dia with 5/16 x 16 in shaft (8 x 406 mm)
	50801-60	Straight blade impeller; 2 in (50 mm) dia with 5/16 x 16 in shaft (8 x 406 mm)
	50801-62	Pitched blade impeller; 2-1/2 in (64 mm) dia with 5/16 x 16 in shaft (64 x 406 mm)

Cole-Parmer®

625 E. Bunker Court
Vernon Hills, IL 60061 United States

847-549-7600

Toll Free: 1-800-323-4340 (USA)

sales@antylia.com

www.coleparmer.com

Canada

1-514-355-6100

info@antylia.ca

www.coleparmer.ca

United Kingdom

+44 (0) 1480 272279

uk.sales@antylia.com

www.coleparmer.co.uk

Germany

+49 (0) 9377 92030

de.sales@antylia.com

www.coleparmer.de

France

+33 (0) 1486 37800

fr.sales@antylia.com

www.coleparmer.fr

Italy

+39 (0) 2843 49215

it.sales@antylia.com

www.coleparmer.it

India

+9122 61394444

info@coleparmer.in

www.coleparmer.in

China

+1 847-549-7600

sales@antylia.com

www.coleparmer.com