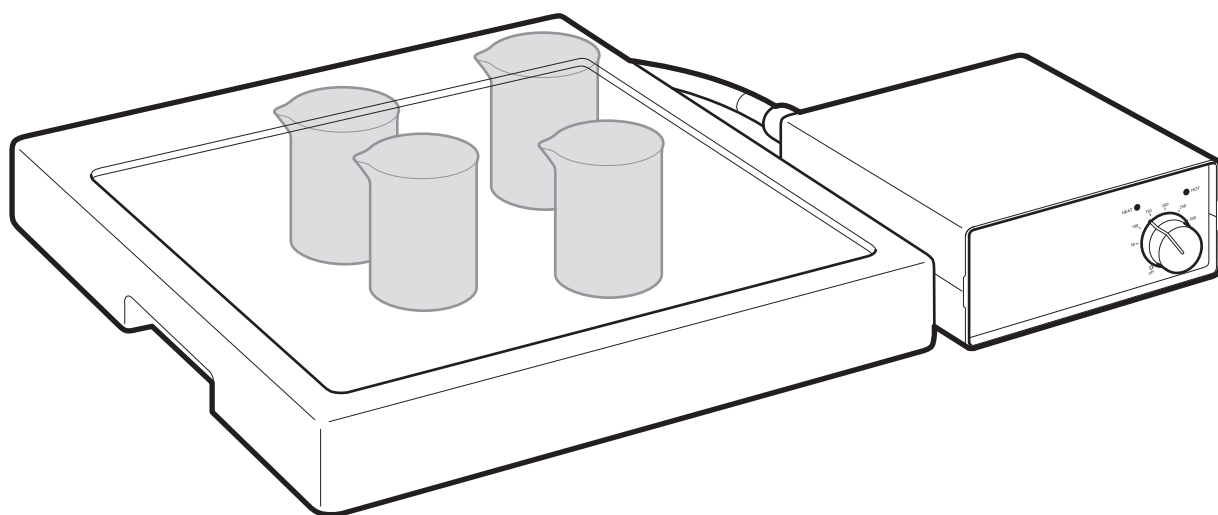


Cole-Parmer®

HP-200 Series

Acid Resistant

Hotplate



Instruction Manual
98030(ES) Version 2.4

Cole-Parmer®
essentials

Hotplate

HP-200-AR

Instructions for use

Introduction

Thank you for purchasing this piece of Cole-Parmer equipment. To get the best performance from the equipment and for your own safety, please read these instructions carefully before use. Before discarding the packaging check that all parts are present and correct.

This equipment is designed to operate under the following conditions:

- ❖ For indoor use only
- ❖ Use in a well ventilated area
- ❖ Ambient temperature range +5°C to +40°C
- ❖ Altitude to 2000m
- ❖ Relative humidity not exceeding 80%
- ❖ Mains supply fluctuation not exceeding 10%
- ❖ Over-voltage category II IEC60364-4-443
- ❖ Pollution degree 2
- ❖ Use with a minimum distance all around of 200mm from walls or other items

If the equipment is not used in the manner described in this manual and with accessories other than those recommended by Cole-Parmer, the protection provided may be impaired.

Electrical Installation



THIS EQUIPMENT MUST BE EARTHED

Before connection please ensure that the line supply corresponds to that shown on the rating plate.

Model	Supply requirements
HP-200-AR	230V, 50 or 60Hz,~, single phase

The unit is supplied with two mains leads fitted with IEC plugs for connection to the control box. One has a U.K. 3 pin plug and the other has a 2 pin “Shuko” plug for connection to the mains. Choose the lead appropriate for your electrical installation and discard the other. Should neither lead be suitable, take the lead with the U.K. plug and replace the plug with a suitable alternative. This involves cutting off the moulded plug,

preparing the cable and connecting to the re-wireable plug in accordance with its instructions.

THIS OPERATION SHOULD ONLY BE UNDERTAKEN BY A QUALIFIED ELECTRICIAN

The wires in the mains cable are coloured as follows:

BROWN	-	LIVE
BLUE	-	NEUTRAL
GREEN/YELLOW	-	EARTH

The control unit is fitted with an IEC socket at the rear for connection of the mains lead. The appropriate mains lead should be connected **BEFORE** connection to the mains supply.

Should the mains lead need replacement, a cable of 1mm² of harmonised code H05W-F connected to an IEC320 plug should be used.

NOTE: Refer to the equipment’s rating plate to ensure that the plug and fusing are suitable for the voltage and wattage stated. The UK mains lead is protected by a 10A fuse mounted in the plug top.

Model	Power	Fuse
HP-200-AR	900W	T5A

Fuse fitted in both live and neutral lines.

IF IN DOUBT CONSULT A QUALIFIED ELECTRICIAN

Safety Advice Before Use

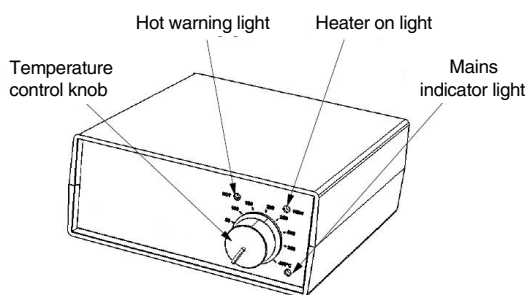
- ❖ Do not use to heat flammable materials.
- ❖ Position the instrument on a firm level surface away from any heat sensitive or flammable material.
- ❖ Never move or carry the unit while it is in use or connected to the mains supply. Switch off and allow to cool for at least 30 minutes.
- ❖ The unit should be carried using both hands with fingers under each side frame.
- ❖ In the case of mains interruption, a fault or failure, the unit **WILL** continue to operate on removal of the fault.
- ❖ **NEVER** immerse the hotplate unit in acid or any other liquid. The unit has breather holes in the base which will allow liquid access that will destroy sensitive components.

General Description

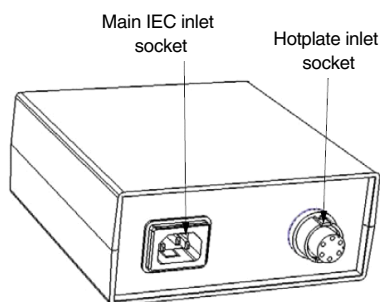
The acid resistant hotplate consists of a ceramic tile and heater assembly mounted in a block of high grade PTFE. The hotplate is controlled via a separate control unit which is connected by a 2 metre lead (partly covered with a PTFE sleeve). This allows the hotplate to be located in a fume hood and the controller outside, away from the corrosive environment.

Controls

Front of control unit



Rear of control unit



Operation

1. Position the hotplate unit on a firm level surface away from any heat sensitive or flammable material.
2. Plug the hotplate lead into the hotplate inlet socket of the control unit.
3. Connect the control unit to the mains supply (the green mains indicator light will illuminate).
4. Position the control unit in the area it is to be used (e.g. outside the fume hood).
5. Turn the control unit ON using the temperature control knob and select the temperature of the hotplate by using the printed scale around the knob. The heater on light will illuminate.



WARNING: When the hotplate surface is hot ($>50^{\circ}\text{C}$) the hot warning light will begin to flash red. This will continue to flash while the plate temperature is above 50°C even after the hotplate has been switched off (the control unit must remain connected to the mains supply).

Maintenance



WARNING: Before attempting to clean the unit, ensure that the hotplate is cool and that the control unit is disconnected from the mains electricity supply.

The control unit should be cleaned using a damp cloth and mild detergent solution. Do not use harsh or abrasive cleaning agents.

The hotplate body can be cleaned with almost any cleaning agent compatible with PTFE. A damp cloth will remove most types of contamination. For more difficult stains a domestic cleaner is recommended.

Cleaning is made easier if spillages are attended to promptly. In any case, spillages of alkali, phosphoric acid and hydrofluoric acid **MUST** be removed immediately as these chemicals can attack and damage the glass ceramic. Ensure the appropriate safety precautions are observed.

NEVER immerse the hotplate unit in acid or any other liquid. The unit has breather holes in the base which will allow liquid access that will destroy sensitive components.

WARNING: A ceramic top which is scratched, chipped, chemically etched or damaged must not be used.

Servicing

This product does not require any routine servicing.

NOTE: There are no internal user-replaceable parts.

In the event of a product failure any repairs or replacement of parts **MUST** only be undertaken by suitably qualified personnel.

For advice, please contact the Service Department, quoting both the model number and serial number:

Email: cpSERVICE@antylia.com

Tel: +44 (0)1785 810475

Only spare parts supplied or specified by Antylia Scientific or its agents should be used. Fitting of non-approved parts may affect the performance of the safety features designed into the instrument. If in any doubt, please contact the Service Department of Antylia Scientific or the point of sale.

For any other technical enquiries, please contact the Technical Support Department:

Email: cptechsupport@antylia.com,

Tel: +44 (0)1785 810433.

Technical Specification

HP-200-AR

Plate material (hotplate)	Glass Ceramic
Body material (hotplate)	PTFE
Plate dimensions	300 x 300mm
Heated area	200 x 200mm
Heater power	900W
Maximum plate temperature	400°C
Hotplate dimensions (w x d x h)	320 x 360 x 60mm
Control unit dimensions (w x d x h)	150 x 160 x 65mm
Lead length	2m
Net weight	11kg
Electrical supply	230V, 50-60Hz

NOTES

NOTES



This product meets the applicable CE Directives and UKCA Legislation for radio frequency interference and may be expected not to interfere with, or be affected by, other equipment with similar qualifications. We cannot be sure that other equipment used in its vicinity will meet these standards and so we cannot guarantee

that interference will not occur in practise. Where there is a possibility that injury, damage or loss might occur if equipment malfunctions due to radio frequency interference, or for general advise before use, contact the manufacturer.

Declaration of Conformity is available to view online at www.coleparmer.com

EU Representative address

Antylia Scientific GmbH
Futtererstraße 16
97877 Wertheim
Deutschland
Tel: +49 9377 9203-0
Email: sales@coleparmer.de

UK Representative address

Antylia Scientific
9 Orion Court
Ambuscade Road
Colmworth Business Park
St. Neots
PE19 8YX
United Kingdom
Tel: +44 (0) 1480 277339
Email: enquiries@antylia.com

Ordering Information

Order No.	Series	Model	Legacy SKU
04801-08	HP-200	HP-200-AR	CP300

Warranty Registration



Cole-Parmer®
essentials

Antylia Scientific Ltd
Beacon Road,
Stone,
Staffordshire,
ST15 0SA,
United Kingdom

UK

T: +44 (0) 1480
272279 E:
uk.sales@antylia.com
W: coleparmer.co.uk

India

T: +9122
61394444 E:
info@coleparmer.in
W: coleparmer.in

Germany

T: +49 (0) 9377 92030
E:
de.sales@antylia.com
W: coleparmer.de

China

T: +1 847 549 7600
E: sales@antylia.com
W: coleparmer.com

France

T: +33 (0) 1486 37800
E: fr.sales@antylia.com
W: coleparmer.fr

USA

T: +1 847 549 7600
E: sales@antylia.com
W: coleparmer.com

Italy

T: +39 (0) 284349215
E: it.sales@antylia.com
W: coleparmer.it

Canada

T: +514 355 6100
E: info@antylia.ca
W: coleparmer.ca

Other

T: +1 847 549 7600

