

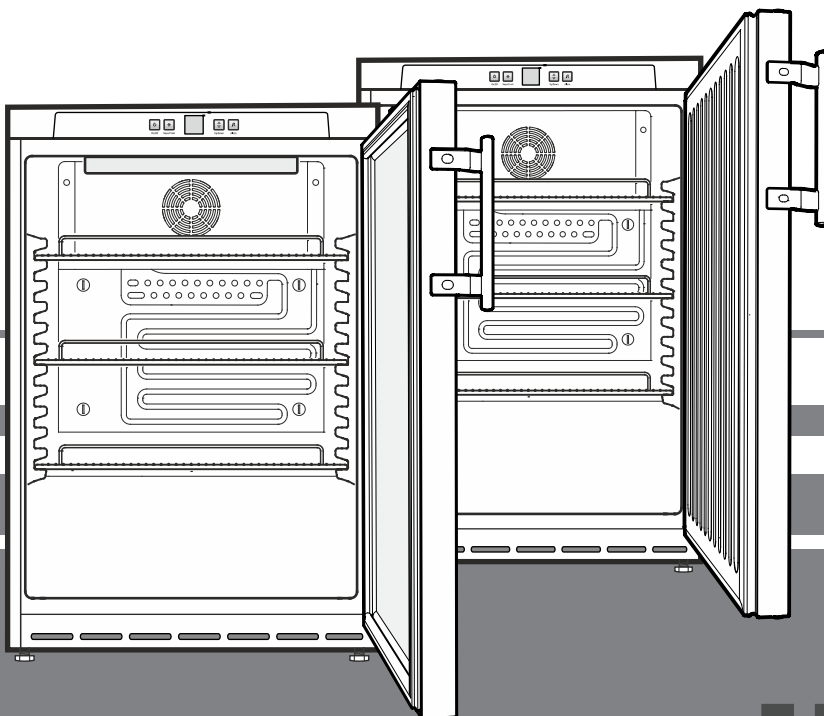
# Operating instructions

Refrigerator

Read the operating instructions before switching on for the first time

Page 12

EN



**7083 001-01**

FKUv

**LIEBHERR**

## Content

Description of the appliance.....	12
Noise emissions from the appliance .....	12
Disposal notes.....	12
Safety instructions and warnings .....	13
Range of appliance use.....	13
Climate rating .....	14
Setting up .....	14
Levelling the appliance.....	14
Installation dimensions (mm).....	14
Safety lock.....	14
Electrical connection.....	15
Operating and control elements.....	15
Switching the appliance on and off .....	15
Setting the temperature.....	15
Door open alarm.....	15
Temperature alarm .....	15
Setup mode .....	16
Cooling .....	17
Cooling with fan.....	17
Interior light.....	17
Cleaning .....	17
Malfunctions.....	18
Shutting your appliance down .....	18
Changing over door hinges .....	18

## Disposal notes

The appliance contains reusable materials and should be disposed of properly - not simply with unsorted household refuse. Appliances which are no longer needed must be disposed of in a professional and appropriate way, in accordance with the current local regulations and laws.



When disposing of the appliance, ensure that the refrigerant circuit is not damaged to prevent uncontrolled escape of the refrigerant it contains (data on type plate) and oil.

- Disable the appliance.
- Pull out the mains plug.
- Cut through the connection cable.

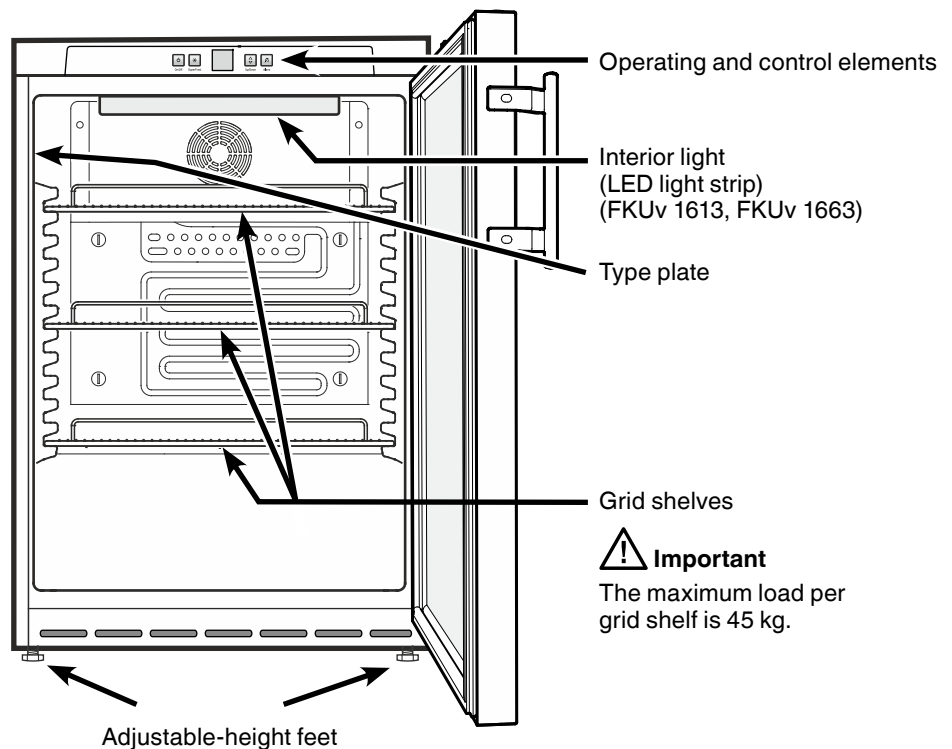
### **WARNING**

**Danger of suffocation due to packing material and plastic film!**

**Do not allow children to play with packaging material.**

**Take the packaging material to an official collection point.**

## Description of the appliance



### **Important**

**Keep all food packed and covered.**

### **Important**

The maximum load per grid shelf is 45 kg.

## Noise emissions from the appliance

The noise level while the appliance is operating is below 70 dB(A) (relative noise level 1 pW).

## Safety instructions and warnings

- To prevent injury or damage to the unit, the appliance should be unpacked and set up by two people.
- In the event that the appliance is damaged on delivery, contact the supplier immediately before connecting to the mains.
- To guarantee safe operation, ensure that the appliance is set up and connected as described in these operating instructions.
- Disconnect the appliance from the mains if any fault occurs. Pull out the plug, switch off or remove the fuse.
- When disconnecting the appliance, pull on the plug, not on the cable.
- Any repairs and work on the appliance should only be carried out by the customer service department, as unauthorised work could prove highly dangerous for the user. The same applies to changing the mains power cable.
- Do not allow naked flames or ignition sources to enter the appliance. When transporting and cleaning the appliance, ensure that the refrigerant circuit is not damaged. In the event of damage, make sure that there are no ignition sources nearby and keep the room well ventilated.
- Do not stand on the plinth, drawers or doors or use them to support anything else.
- This appliance can be used by children of 8 years old and over, and also by persons with restricted physical, sensory or mental capacity or lack of experience and knowledge, if they are supervised or have been instructed on safe use of the appliance and understand the resulting risks. Children must not be allowed to play with the appliance. Cleaning and user maintenance must not be carried out by children without supervision.
- Avoid prolonged skin contact with cold surfaces or chilled/frozen food. This could cause pain, numbness and frostbite. In the case of prolonged skin contact, protective measures should be taken, e.g. gloves should be worn.
- Do not consume food which has been stored for too long, as it could cause food poisoning.
- Do not store explosives or sprays using combustible propellants such as butane, propane, pentane, etc. in the appliance. Electrical components might cause leaking gas to ignite. You may identify such sprays by the printed contents or a flame symbol.
- Do not use electrical appliances inside the appliance.
- If you have a lockable appliance, do not keep the key near the appliance or within reach of children.
- The appliance is designed for use in enclosed areas. Do not operate the appliance outdoors or in areas where it is exposed to splash water or damp conditions.
- The LED light strip illuminates the interior of the appliance. It is not suitable for lighting a room.
- When transporting or operating the appliance at an altitude of more than 1500 m above sea level, the glass pane in the door can break due to the reduction in air pressure. Broken fragments are sharp-edged and can cause serious injury.

## Range of appliance use

The appliance is suitable solely for cooling food in a domestic environment or similar.

This includes, for example, use

- in staff kitchenettes, bed and breakfast establishments,
- by guests in cottages, hotels, motels and other forms of accommodation,
- in catering and similar services in the wholesale trade.

Use the appliance solely as is customary within a domestic environment. All other types of use are inadmissible.

The appliance is not suitable for storing and cooling medicines, blood plasma, laboratory preparations or similar substances and products covered by the 2007/47/EC Medical Devices Directive. Any misuse of the appliance may result in damage to or spoilage of stored goods.

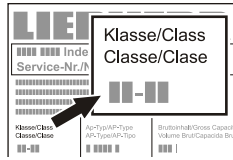
Furthermore, the appliance is not suitable for operation in potentially explosive atmospheres.

## Climate rating

The climate rating indicates the room temperature at which the appliance may be operated in order to achieve full refrigeration performance.

The climate rating is indicated on the type plate.

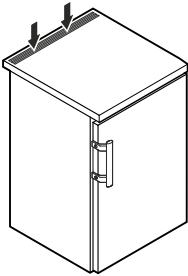
The position of the type plate is shown in the section entitled **Description of the appliance.**



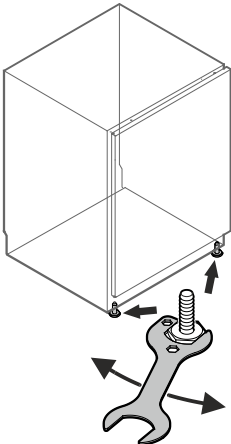
Climate rating	Room temperature
4 (SN)	+10°C to +32°C
4 (N)	+16°C to +32°C
4+ (ST)	+16°C to +38°C
4+ (SN-ST)	+10°C to +38°C
5 (T)	+16°C to +43°C
5 (SN-T)	+10°C to +43°C

**Do not operate the appliance outside the specified room temperature range.**

## Setting up

- Do not place the appliance in direct sunlight or near cookers, radiators and similar sources of heat.
- Do not cover ventilation openings or grille. → 
- Do not place heat-emitting appliances, e.g. microwave oven, toaster, etc., on top of the appliance.
- Standard EN 378 specifies that the room in which you install your appliance must have a volume of 1 m<sup>3</sup> per 8 g of R 600a refrigerant used in the appliance, so as to avoid the formation of inflammable gas/air mixtures in the room where the appliance is located in the event of a leak in the refrigerant circuit. The quantity of refrigerant used in your appliance is indicated on the type plate on the inside of the appliance.
- Always install the appliance directly against the wall.

## Levelling the appliance

- Place the appliance in its final position at the place of installation.
- Compensate floor unevenness using the adjustable feet. 

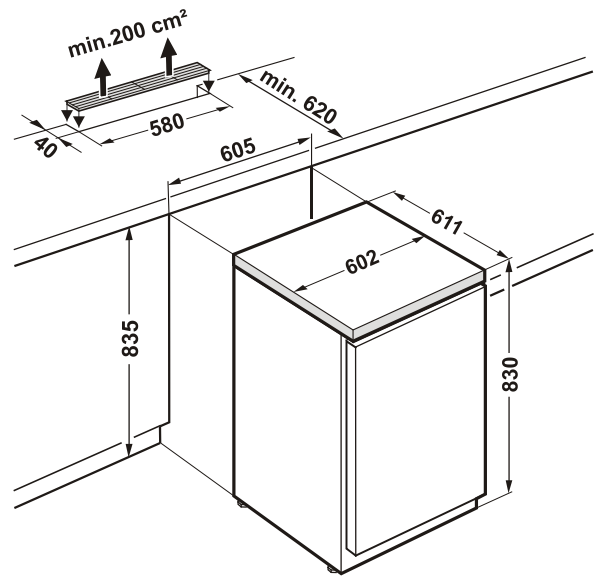
### Important

**The appliance must be aligned horizontally and vertically. If the appliance is not level, the main body of the appliance can be deformed and the door will not close properly.**

## Installation dimensions (mm)

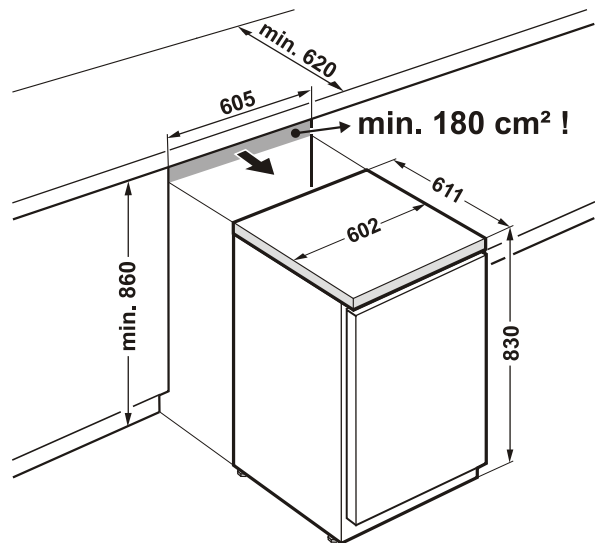
### Version 1

A cross-section of **min. 200 cm<sup>2</sup>** is required in the worktop for ventilation of the rear of the appliance.



### Version 2

If no ventilation grille is provided in the worktop, the recess must be **at least 860 mm** high to ensure adequate heat dissipation to the front.



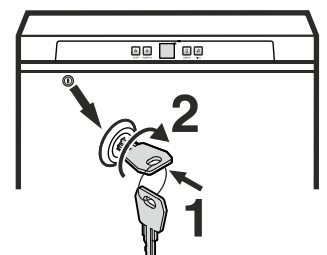
## Safety lock

The lock in the appliance door is equipped with a safety mechanism.

### Locking the appliance

- Insert the key as shown by arrow 1.
- Turn the key 90°.

To unlock the appliance, the same procedure must be repeated in the same order.



## Electrical connection

Only operate the appliance with **alternating current (AC)**.

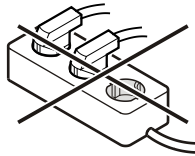
The permissible voltage and frequency are indicated on the type plate. The position of the type plate is shown in the section entitled **Description of the appliance**.

The socket must be properly earthed and protected by a fuse. The tripping current of the fuse must be between 10 A and 16 A.

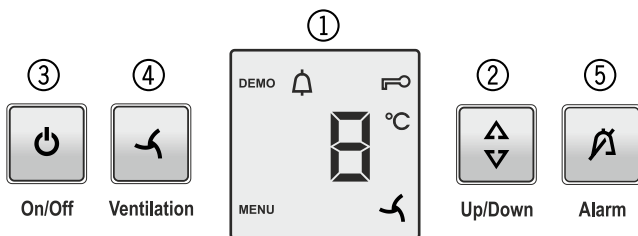
The socket must not be situated behind the appliance and must be easily accessible.

Do not connect the appliance using an extension cable or extension socket.

Do not use stand-alone inverters (conversion of direct current to alternating current/three-phase current) or energy-saving plugs. Risk of damage to the electronic control system!




## Operating and control elements




- ① Temperature display (display)
- ② Temperature setting button
- ③ On/Off button
- ④ Fan button
- ⑤ Audible warning on/off button

### Symbols in the display

**MENU** Setup mode is activated (activating the child lock and adjusting the display brightness)

 Alarm (symbol flashes if the temperature inside the appliance is too high)

 Child lock is activated

 Fan ON symbol

**DEMO** Demo mode is activated

## Switching the appliance on and off

### Switching the appliance on

Press the **On/Off** button until the temperature display lights up.



On/Off

### Switching the appliance off

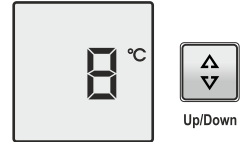
Keep the **On/Off** button pressed for approx. 3 seconds so that the temperature display goes out.

### Note

If the On/Off button is held down for a further 3 seconds after the temperature display has gone out, the appliance is switched on again.

## Setting the temperature

Press the **Up/Down** button. The temperature display flashes.



Press the **Up/Down** button, the next lower temperature value in the temperature display will light up.

Keep pressing the **Up/Down** button until the desired value is displayed.

After a certain period of operation, the interior temperature will adjust to the value which has been set.

If **F1** or **F2** appears in the display, the appliance has suffered a fault. In this case, contact the customer service department.

## Door open alarm

If the door is left open for more than 180 seconds, the audible warning signal will sound.

If the door must be opened for a lengthy period to place items into the appliance, cancel the audible warning signal by pressing the **Alarm** button.



Alarm

The alarm switches back to standby when the door is shut.

## Temperature alarm

If the temperatures in the interior are out of the permitted range, the audible warning signal will sound and the temperature display will flash.

After a lengthy power failure, the temperature in the interior may have risen to too high a level. After the power supply returns, the fall in temperature can be watched on the display.

- Cancel the audible warning signal by pressing the **Alarm** button.



Alarm

The temperature display will stop flashing as soon as the temperature in the interior has reached the set value.

## Temperature alarm after a fault in the appliance

If the appliance develops a fault, the temperature in the interior may rise too high or fall too low. The audible warning signal will sound and the temperature display will flash.

If the temperature displayed is too high (warm), first check whether the door is closed correctly.

If the temperature display continues to show a value that is too high or too low after one hour, contact the customer service department.



- Cancel the audible warning signal by pressing the **Alarm** button.

## Setup mode

In setup mode, you can set the child lock and adjust the brightness of the display.

The child lock is designed to protect the appliance from being switched off and the temperature setting from being changed accidentally.

### Activating the child lock

Press  for 5 seconds. Display = 



 Display = 

 Display = 

 Display = 

The child lock is activated.

### Deactivating the child lock

Press  for 5 seconds. Display = 


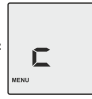
 Display = 

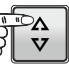

 Display = 


 Display = 


The child lock is deactivated.

### Adjusting the display brightness

Press  for 5 seconds. Display = 


 Display = 

 Display = 

 Adjust to the desired brightness using the **Up/Down** button.

**h0** = minimum brightness  
**h5** = maximum brightness

 Display = 

 The adjusted brightness will be activated after one minute.

### Note

If a button is pressed, the display lights up for one minute at maximum brightness.

When commissioning the appliance, the adjusted brightness will only be active once the set interior temperature of the appliance has been reached.



### Demo mode

Demo mode can be activated for presenting the appliance at exhibitions or in salesrooms as though in normal operating mode.

**DEMO** appears in the display.

**When in this mode, the cooling circuit is switched off!**

If this mode is activated by accident, it can be deactivated as detailed below.

Press  +  for 5 seconds.

Display = 

 Display = 

 Display = 

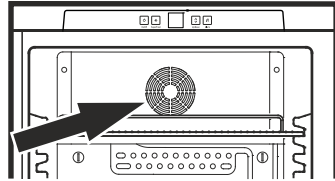
The refrigeration unit switches on.  
The temperature display flashes.

The appliance is now in normal operating mode.

## Cooling

The grid shelves can be moved to accommodate different height bottles or packages.

**The ventilation slots on the inside must not be covered!**




## Cooling with fan

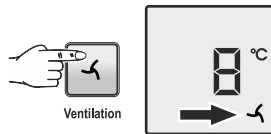
With the fan function switched on, a uniform temperature distribution will be attained in the refrigerator compartment.

This is recommended:

- in high room temperatures (approx. 33°C or higher),
- if the air humidity is high (e.g. during the summer).

### To switch on

Press the fan button - the symbol  lights up.



## Interior light

The interior of the appliance is lit by an LED light strip at the top of the interior container.

Switch on switch **S**, the interior light comes on.

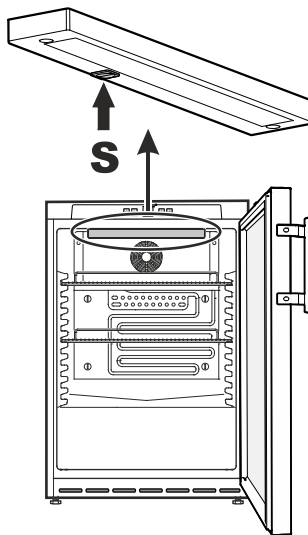
**The light intensity of the LED light corresponds to laser class 1/1M.**

### Important

**The light cover may only be removed by customer service staff.**

**If the cover is removed, do not look directly at the light through optical lenses from close distance.**

**This can damage your eyes.**



## Cleaning

**Clean the appliance at least twice per year.**

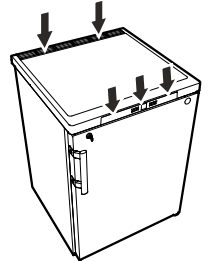
**Before cleaning, always switch off the appliance. Disconnect from the mains or switch off or unscrew the fuse.**

- Clean the inside, equipment parts and outer walls with lukewarm water and a little detergent.

Do not use chemical solvents or any cleaning agents containing sand or acid.

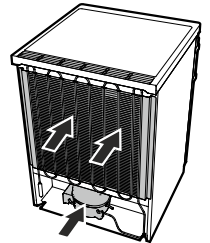
**Do not use steam cleaners because of the risk of injury and damage.**

- Ensure that no cleaning water penetrates into the electrical components or ventilation grille.



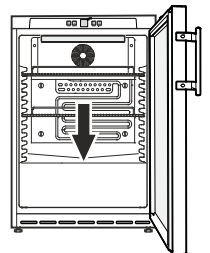
- Dry all parts well with a cloth.

- The dust should be removed from the refrigeration unit and heat exchanger - metal grid at the back of the appliance - once a year.



- Do not damage or remove the type plate on the inside of the appliance. It is very important for servicing purposes.

- Clean the drain hole in the refrigerator compartment with a thin object, e.g. cotton swab or the like.



## Malfunctions

- **F1 or F2 appears in the display.**

- The appliance has suffered a fault. Contact the customer service department.

**You may be able to rectify the following faults by checking the possible causes yourself:**

- **Appliance does not function:**

- Is the appliance switched on?
- Is the plug correctly fitted in the mains socket?
- Is the fuse intact?

- **When inserting the mains plug, the refrigeration unit does not switch on, but a value is shown in the temperature display.**

- Demo mode is activated. Deactivate demo mode as described in the section entitled **Demo mode**.

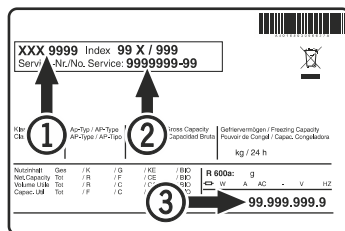
- **Loud running noise:**

- Is the appliance set up firmly on the floor?
- Does the appliance cause nearby items of furniture or objects to vibrate? Please note that noises caused by the refrigerant circuit cannot be avoided.

- **The temperature is not low enough:**

- Is the temperature setting correct (see "Setting the temperature")?
- Does the separately installed thermometer show the correct reading?
- Is the ventilation system working properly?
- Is the appliance set up too close to a heat source?

If none of the above causes apply and you cannot rectify the fault yourself, contact the nearest customer service department stating the type designation ①, service number ② and appliance number ③ as indicated on the type plate.



The position of the type plate is shown in the section entitled **Description of the appliance**.

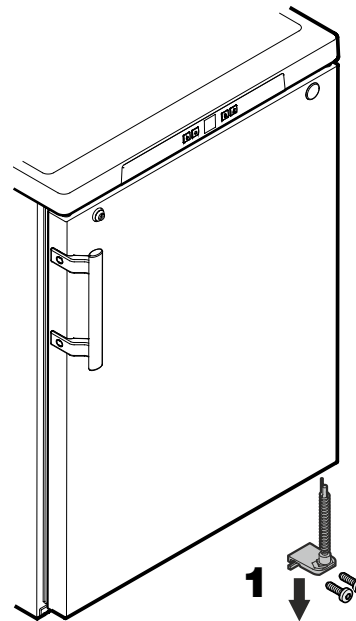
## Shutting your appliance down

If your appliance is to be shut down for any length of time, switch it off and disconnect the plug or switch off or unscrew the fuse.

Clean the appliance and leave the door open in order to prevent unpleasant smells.

The appliance complies with the relevant safety regulations and EC directives 2004/108/EC and 2006/95/EC.

## Changing over door hinges

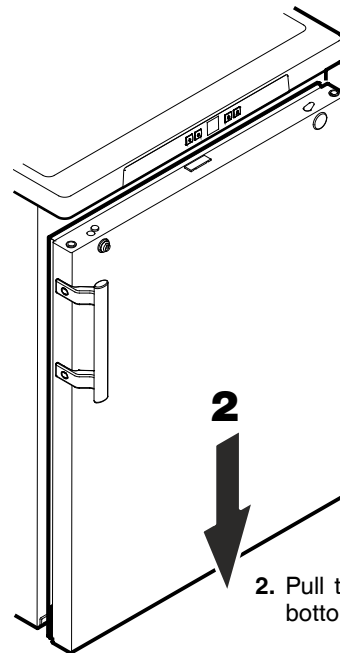


1. Unscrew the hinge bracket.

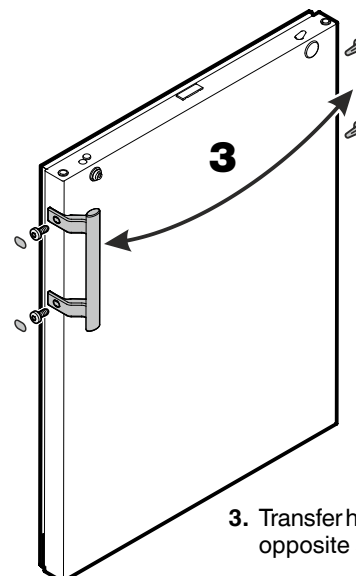
### Important

The door mounting has a spring mechanism enabling the door to close by itself.

The hinge bracket turns to the left when the screws are undone.

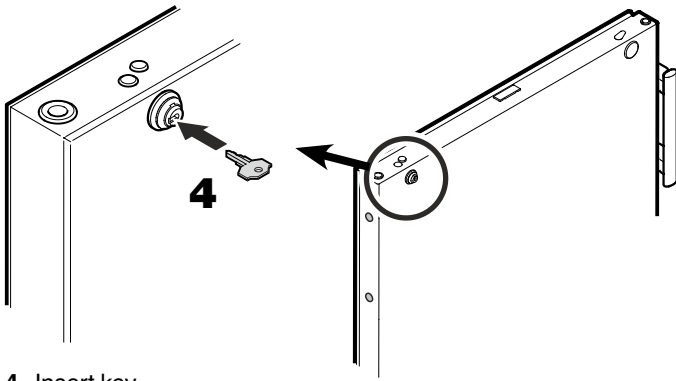


2. Pull the door out at the bottom and lift off.

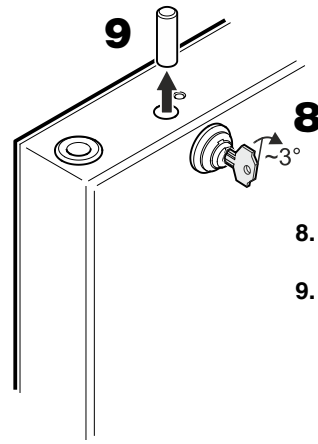


3. Transfer handle and plugs to the opposite side of the door.



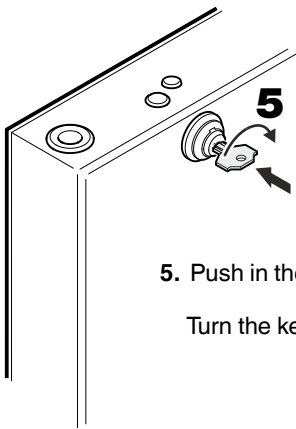


4. Insert key.



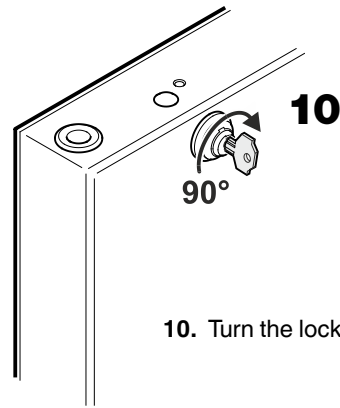
8. Turn the lock approx. 3° clockwise.

9. Remove pin.

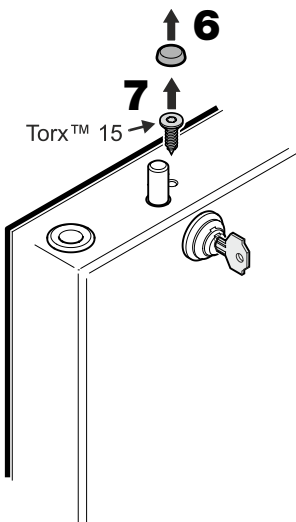


5. Push in the key.

Turn the key 90°.

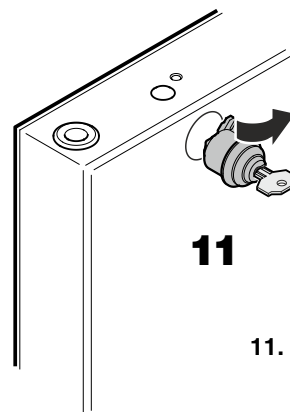


10. Turn the lock 90° clockwise.

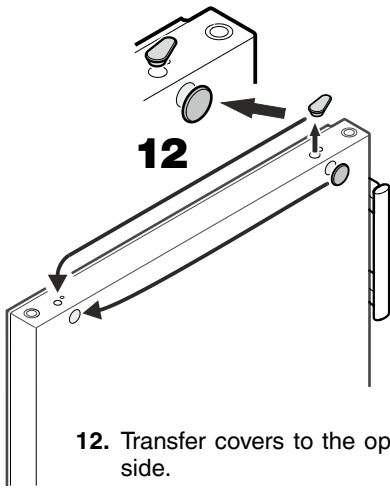


6. Remove cover.

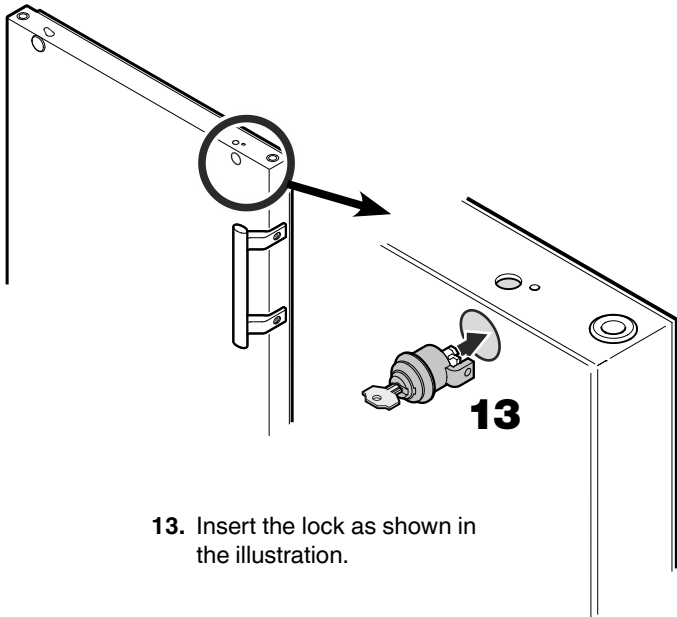
7. Remove screw.



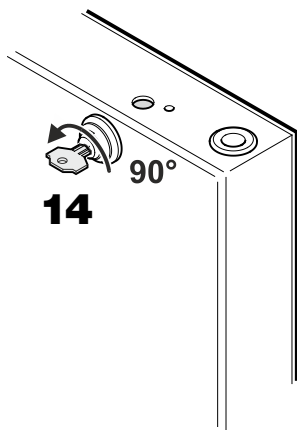
11. Remove lock.



12. Transfer covers to the opposite side.



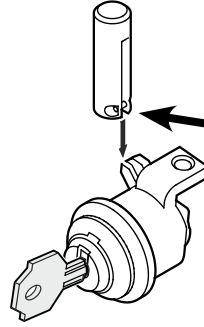
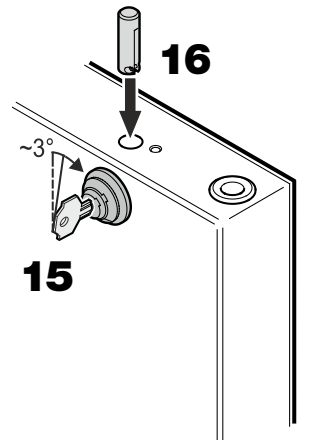
13. Insert the lock as shown in the illustration.



14. Turn back the lock 90° anticlockwise.

15. Turn the lock further - approx. 3° clockwise.

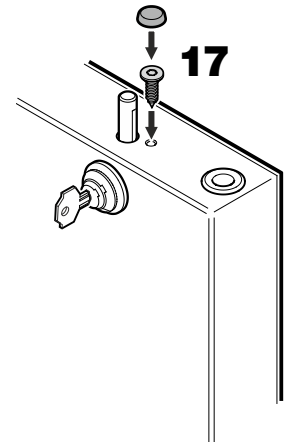
16. Insert pin.



**Note on point 16**

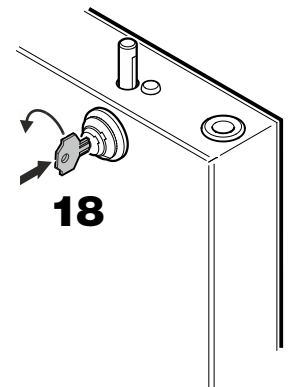
After insertion, the pin's cross pin must be engaged in the groove of the catch.

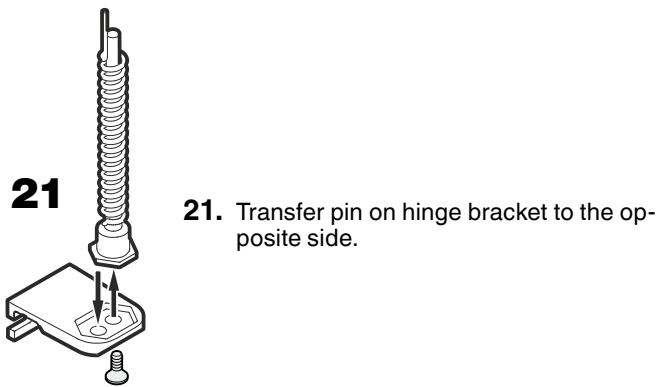
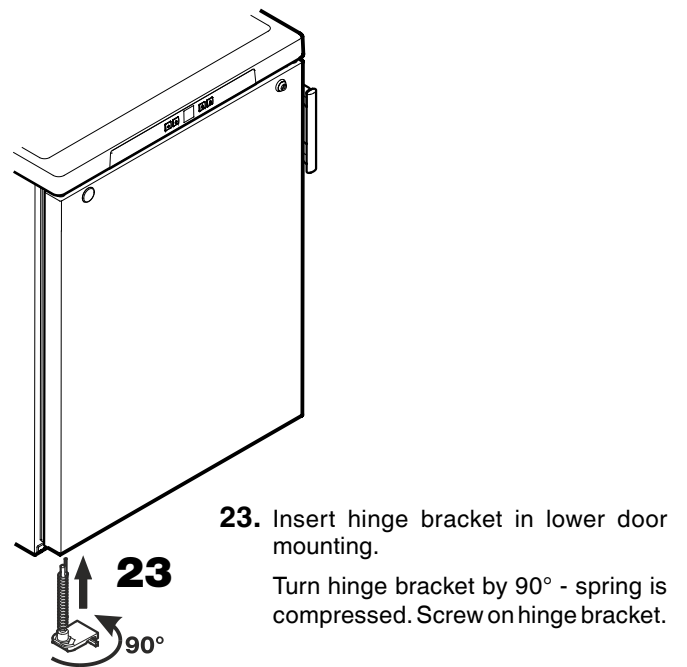
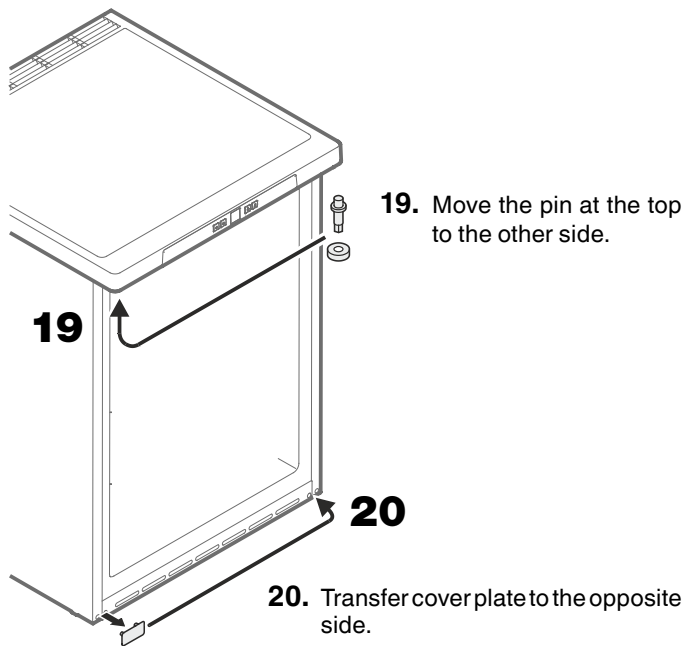
17. Screw in the screw and attach the cover cap.



18. Push in the key.

Turn the key 90°.





**Adjusting the lateral tilt of the door**

If the door is at an angle, adjust the angle.

