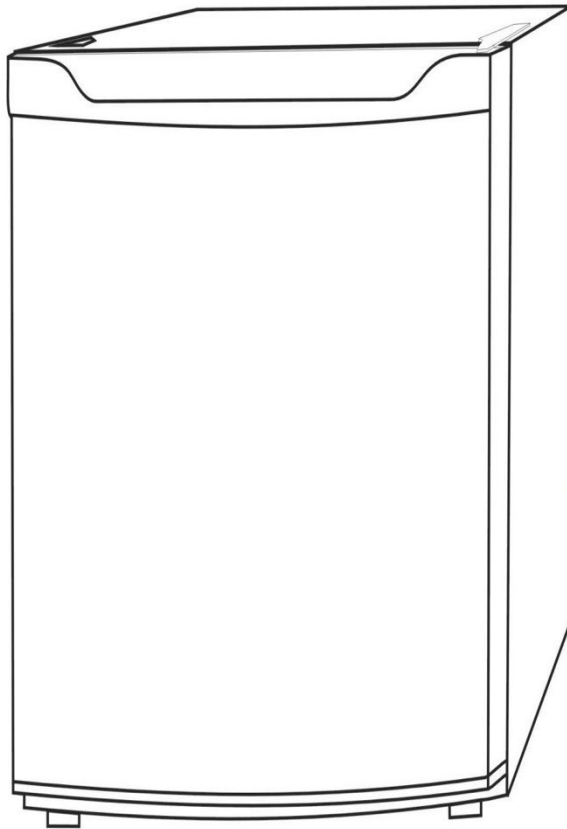




INSTRUCTION MANUAL

CMST100

**Staff Room Larder
Refrigerator**



**Please read and follow all safety rules and operating instructions
before use.**

REFRIGERATOR SAFETY



Your safety and the safety of others is very important.
We have provided many important safety messages in this manual.
Always read and obey all safety instructions.



Danger means that failure to heed this safety statement may result in severe personal injury or death.



Warning means that failure to heed this safety statement may result in extensive product damage, serious personal injury or death.



Caution means that failure to heed this safety statement may result in minor or moderate personal injury, property or equipment damage.

The safety instructions will alert you to the potential hazards, tell you how to reduce the chance of injury and advise what can happen if the instructions are not followed.

IMPORTANT INFORMATION



Before the refrigerator is used, it must be properly installed as described in this manual, so please read the manual carefully. To reduce risk of fire, electric shock or injury when using the appliance, follow basic precautions as follows:

DANGER

- Plug into an earthed 3-pin socket ONLY, DO NOT remove the earth pin or wire,
- DO NOT use an adaptor and DO NOT use an extension cable.
- It is recommended that you use a single socket for the refrigerator alone. Use a socket which can be turned off by a separate switch.
- Never clean the appliance with flammable fluids. The fumes can create a fire hazard or cause explosion. DO NOT store petrol or other flammable fluids in the vicinity of the appliance to avoid these hazards.
- Before undertaking cleaning or maintenance, ensure that the power cable is disconnected. DO NOT connect or disconnect the appliance when your hands are wet.
- Unplug the appliance or disconnect power before cleaning or servicing. Failure to do so can result in electric shock and potentially be fatal.
- Do not attempt to repair or replace any part of your refrigerator unless it is specifically recommended in this manual. All other servicing should be referred to a qualified technician.

WARNING

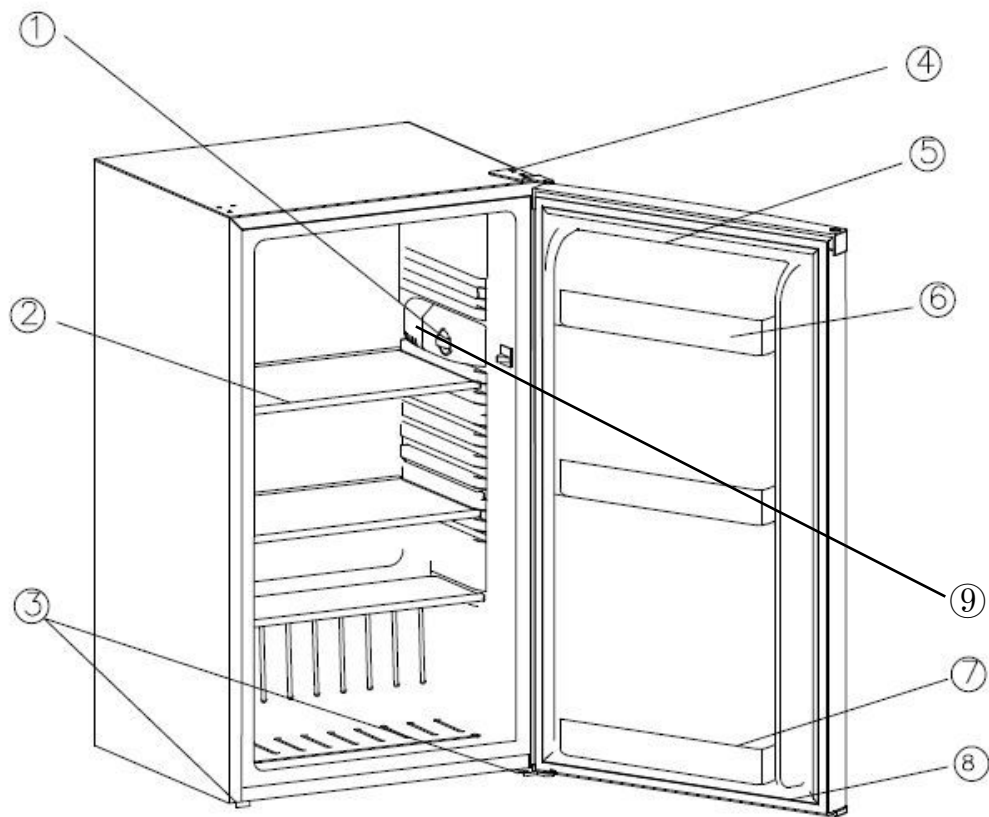
FOLLOW WARNING MESSAGES BELOW ONLY IF APPLICABLE TO YOUR MODEL

- The refrigerator should be installed and moved by 2 people to avoid injury.
- To ensure proper ventilation for the appliance, the front of the unit must be completely unobstructed.
- Choose a well-ventilated area with temperatures above 16°C and below 32°C. The area should be protected from the elements (wind, rain etc.) and water spray or drips.
- The refrigeration should not be installed next to ovens, grills or other heat sources.
- The appliance must be installed in accordance with all UK regulations for electrical connection, water and drains. A standard UK electrical supply is required (220-240v AC only, 50Hz), following UK and European standards.
- Do not kink or trap the power cable of the refrigerator. The fuse (or circuit breaker) should be 13amp.
The appliance must be level in order for it to function correctly – use the levelling legs to adjust accordingly.
- Installation should be in accordance with the local plumbing requirements.
- Ensure that the pipes are not kinked, trapped or damaged during installation.
- Never allow children to operate, play with or crawl inside the refrigerator.
- Due to transit and storage time, the first batch of ice cubes should be discarded.
- Do not use solvent-based or abrasive cleaning agents on the interior.
- These cleaners may damage or discolour the interior.
- Do not use this appliance for anything other than its intended purpose.

THIS APPLIANCE IS NOT INTENDED FOR USE BY YOUNG CHILDREN OR INFIRM PERSONS, UNLESS THEY ARE ADEQUATELY SUPERVISED BY A RESPONSIBLE ADULT TO ENSURE

THAT THEY CAN USE THE APPLIANCE SAFELY. YOUNG CHILDREN MUST BE SUPERVISED TO ENSURE THAT THEY DO NOT PLAY WITH THE APPLIANCE.

PARTS & FEATURES



1. Temperature Control Knob
2. Glass Shelf
3. Levelling Legs
4. Hinge Cover
5. Compartment Lid
6. Dairy Compartment
7. Bottle Rack
8. Gasket
9. Lamp

TABLE OF CONTENTS

REFRIGERATOR SAFETY	2
IMPORTANT INFORMATION	3
PARTS & FEATURES	4
IMPORTANT SAFETY INSTRUCTIONS	6
INSTALLATION INSTRUCTIONS	6
Before Using The Appliance.....	6
Installing The Appliance.....	6
Electrical Connection.....	7
Extension Cable.....	7
Reversing the Door.....	7
OPERATING THE UNIT	8
Setting the Temperature Control.....	8
CARE AND MAINTENANCE	9
Cleaning The Unit.....	9
Power Failure.....	9
Holidays.....	9
Moving The Unit.....	9
Energy Saving Tips.....	10
TROUBLESHOOTING GUIDE	10
WIRING DIAGRAM	11

IMPORTANT SAFETY INSTRUCTIONS



TO REDUCE THE RISK OF FIRE, ELECTRICAL SHOCK OR INJURY WHEN USING THE APPLIANCE FOLLOW THESE BASIC PRECAUTIONS:

- Read all instructions before using the refrigerator.
- **WARNING:** Child entrapment and suffocation are still a danger. Old or abandoned refrigerators are still dangerous even though they are not being used.
- **Before you throw away your old refrigerator:** Remove the doors but leave shelves in place so that children cannot climb inside.
- Never allow children to operate, play with or crawl inside the refrigerator.
- Never clean refrigerator parts with flammable fluids. The fumes can create a fire hazard or an explosion.
- Do not store petrol or any other flammable liquids in the vicinity of this or any other refrigerator. The fumes can create a fire hazard or an explosion.
- If the power cable is damaged, it must be replaced by the manufacturer, its service agent or similarly qualified person in order to avoid a hazard.

INSTALLATION INSTRUCTIONS

Before Using The Appliance

- Remove the exterior and interior packaging.
- Check to ensure that you have the following parts: 2 shelves and the instruction manual.
- Before connecting the unit to the power source and switching it on, let it stand upright for approximately 2 hours. This will reduce the risk of a malfunction in the cooling system from movement during transportation.
- Clean the interior surface with lukewarm water using a soft cloth.

Installing The Appliance

- This appliance is designed to be free standing only and should not be recessed or built-in.
- Place your unit on a floor that is strong enough to support the unit when it is fully loaded. To level your unit, adjust the levelling legs at the bottom of the unit.
- Allow 125mm of space between the back and sides of the unit which allows sufficient air circulation to cool the compressor and the condenser.
- Locate the unit away from direct sunlight and sources of heat (stove, heater, radiator, etc.). Direct sunlight may affect the acrylic coating and heat sources may increase the electrical consumption. Extreme cold ambient temperatures may also cause the unit not to perform properly.
- Avoid locating the unit in moist areas.
- Plug the unit into an exclusive, properly earthed wall socket. DO NOT, under any circumstances, cut or remove the 3rd pin from the plug or earth wire from the power cable. Any questions concerning earthing should be directed to a qualified electrician or authorised service company.
- After plugging the appliance into a wall socket, allow the unit to cool down for 2-3 hours before placing food inside the refrigerator.

Electrical Connection



IMPROPER USE OF THE EARTHED PLUG CAN RESULT IN THE RISK OF AN ELECTRIC SHOCK. IF THE POWER CABLE IS DAMAGED, HAVE IT REPLACED BY AN AUTHORISED SERVICE COMPANY OR A QUALIFIED ELECTRICIAN.

- This unit should be properly earthed for safety reasons. The power cable is fitted with a 3-pin plug, which is correct for UK wall sockets, to minimise the risk of electric shock.
- DO NOT, under any circumstances, cut or remove the 3-pin plug from the power cable supplied. For personal safety, this appliance must be properly earthed. This unit requires a standard 220-240v AC/50Hz electrical outlet with 3-pin UK socket.
- Have the socket and circuit checked by a qualified electrician to ensure that the socket is properly earthed.
- To prevent accidental injury, the cable should be secured behind the unit and not left exposed or dangling.
- The unit should always be plugged into its own individual electric socket with a voltage rating matching the rating label on the appliance. This ensures the best performance and also prevents the overloading of household circuits which could cause a fire hazard if they overheated. NEVER unplug the unit by just pulling on the power cable. Always switch off at the electric point first, then grip the plug firmly and pull out from the socket. Repair or replace (with the help of a qualified electrician) all power cables that have become frayed or otherwise damaged. Do not use a cable which shows cracks or abrasion damage along its length or at either end. Take care not to damage the power cable when moving the appliance.

Extension Cable

- Because of potential safety hazards under certain conditions, it is strongly recommended that you DO NOT use an extension cable with this unit. However, if you must use an extension cable, it is absolutely essential that it is a 3-pin earthed extension cable with a UK standard plug and socket, and that the electrical rating of the extension cable is 220-240v with a 13amp fuse.

Reversing the Door

- This larder fridge has been fitted with the door hinges on the right. If you wish to change the opening side of the door, follow the instructions below:
 1. Remove the upper hinge cover (6).
 2. Remove the two screws (1) that hold the upper hinge (5) to the frame. Remove the upper hinge (5).
 3. Remove the door by lifting it and place it on a padded surface to prevent scratching.
 4. Remove the two screws (8) that hold the lower hinge (2) and then remove the lower hinge (2).
 5. Swap over the levelling legs.
 6. Remove the hole cover plate (7) and place it on the opposite side.
 7. Attach the lower hinge (2) on the opposite side with the two screws (8).
 8. Set the door in its place, making sure it sits on the door seat at the lower hinge (2).
 9. Re-attach the upper hinge (5) on the opposite side using the screws (1). Do not tighten the screws until the top of the door is level with the counter top.
 10. Place the upper hinge cover (6) on the upper hinge.

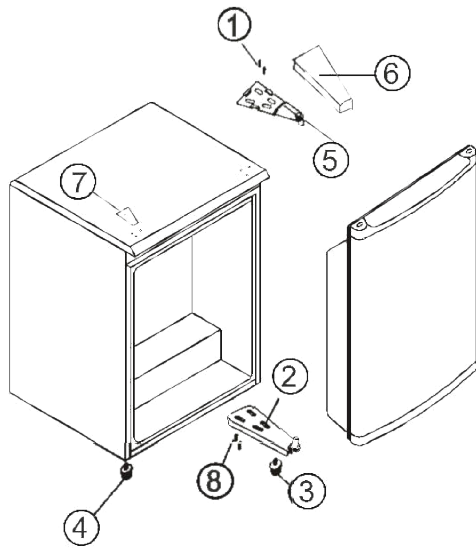


FIGURE 1
Door opening from the left side

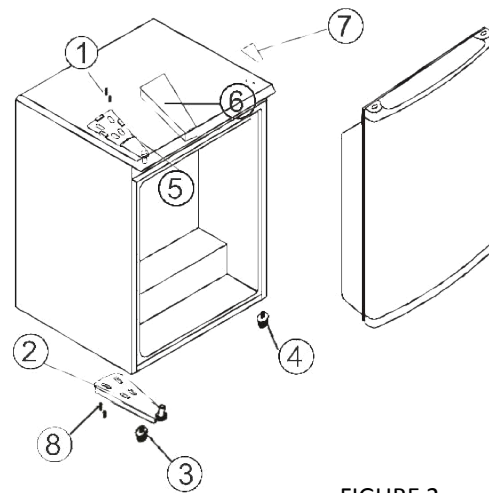


FIGURE 2
Door opening from the right side

1. Screws
2. Lower hinge
3. – 4. Levelling legs
5. Upper hinge
6. Upper hinge cover
7. Hole cover plate
8. Screws

OPERATING THE UNIT

Setting the Temperature Control

- The unit only has one control for regulating the temperature of the refrigerator. The temperature control is located on the inside of the appliance (top right).
- The first time you turn the unit on, set the temperature control to position “6”.
- The range of the temperature control is from position “OFF” to “6”. After 24-48 hours adjust the temperature control to the setting that best suits your needs. Setting “3” should be appropriate for home or office use.
- To turn the appliance off, turn the temperature control to “OFF”.

NOTE: Turning the temperature control to “OFF” position stops the cooling cycle but does not shut off the power to the unit. If the unit is unplugged, has lost power or is turned off, you must wait 3 to 5 minutes before restarting the unit. If you attempt to restart before this time delay, the unit will not start.

CARE AND MAINTENANCE

CAUTION

DO NOT USE BOILING WATER BECAUSE IT MAY DAMAGE THE PLASTIC PARTS. IN ADDITION, NEVER USE A SHARP OR METALLIC INSTRUMENT TO REMOVE FROST AS IT MAY DAMAGE THE COOLING SYSTEM AND WILL VOID THE WARRANTY. IF NECESSARY, USE A PLASTIC SCRAPER.

Cleaning The Unit

- Turn the temperature control to "OFF", unplug the unit and remove any food and the shelves.
- Clean the inside surfaces with a warm water and baking soda solution. The solution should be about 2 tablespoons of baking soda to 1.13 litres of water.
- Clean the shelves with a mild detergent solution.
- Squeeze excess water out of the sponge or cloth before cleaning the controls or any electrical parts.
- Clean the outside of the cabinet with warm water and mild liquid detergent. Rinse well and wipe dry with a clean soft cloth.

Replacing the Bulb

The appliance is equipped with an internal light next to the thermostat dial. Should you need to replace the bulb, you can do this by removing the bulb cover with a small screwdriver and then proceed to replace the E14 bulb.

CAUTION

FAILURE TO UNPLUG THE UNIT COULD RESULT IN AN ELECTRICAL SHOCK OR PERSONAL INJURY.

Power Failure

Most power failures are corrected within a few hours and should not affect the temperature of your unit if you minimise the number of times the door is opened. If the power is going to be off for a longer period of time, you need to take the appropriate steps to protect your food.

Holidays

- Short Holidays: Leave the unit operating during holidays of less than 3 weeks.
- Long Holidays: If the appliance will not be used for several months, remove all food and unplug from the socket. Clean and dry the interior thoroughly. To prevent odour and mould growth, leave the door slightly open for ventilation, wedging it open if necessary.

Moving The Unit

- Remove all the food.
- Securely tape down all loose items inside the unit.

- Turn the levelling legs up to the base to avoid damage.
- Tape the door shut.
- Make sure the unit stays secure in the upright position during transportation.
- Ensure to protect the outside of the unit with a blanket or a similar item.

Energy Saving Tips

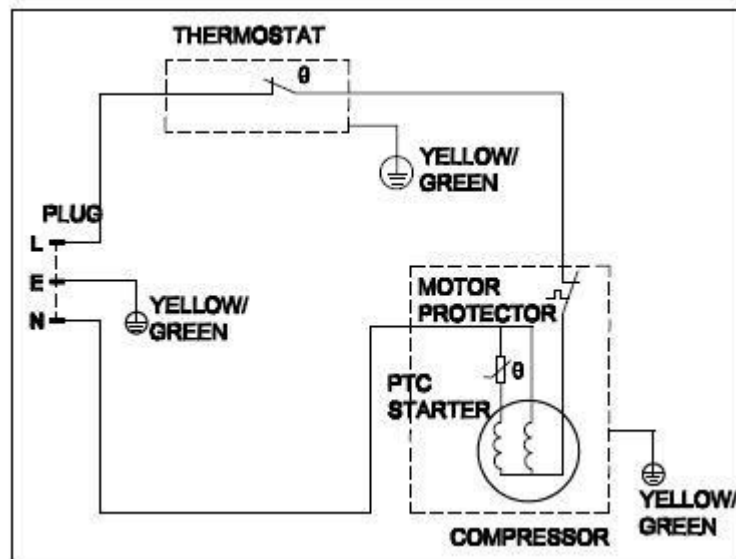
- The unit should be located in the coolest area of the room, away from heat producing appliances and out of direct sunlight.
- Let hot foods cool to room temperature before placing in the unit. Overloading the unit forces the compressor to run longer.
- Be sure to wrap foods properly and wipe containers dry before placing them in the unit. This minimises frost build-up inside the unit.
- The compartment of the appliance should not be lined with aluminum foil, wax paper or paper towels. Liners interfere with cold air circulation, making the unit less efficient.
- Organise and label food to reduce door openings and extended searches. Remove as many items as needed at one time and close the door as soon as possible.

TROUBLESHOOTING GUIDE

You can easily resolve many problems yourself. First try the suggestions below to see if a service call is really necessary.

PROBLEM	POSSIBLE CAUSE(S)
Unit does not operate.	<ul style="list-style-type: none"> • Not plugged in. • The circuit breaker tripped/ blown fuse. • The unit temperature control is set to "OFF".
Turns on and off frequently.	<ul style="list-style-type: none"> • The room temperature is hotter than normal. • A large amount of food has been recently added to the unit. • The door is opened too often. • The door is not closed properly. • The temperature control is not set correctly. • The door gasket does not seal properly. • The unit does not have the correct clearances.
Vibrations	<ul style="list-style-type: none"> • Ensure that the unit is level.
The unit seems to make too much noise.	<ul style="list-style-type: none"> • The rattling noise may come from the flow of the refrigerant which is normal. • As each cycle ends, you may hear gurgling sounds caused by the flow of refrigerant in the unit. • Contraction and expansion of the inside walls may cause popping and crackling noises. • The unit is not level.
The door will not close properly.	<ul style="list-style-type: none"> • The unit is not level. • The door was reversed and not properly installed. • The gasket is dirty or bent. • The shelves or baskets are out of position.

WIRING DIAGRAM



COOLMED[®]

Please Call for Service

Contact Number 0161 7725666

support@coolmed.co.uk