



# Leica DM500 User Manual

# Manufacturer Information

Published in January 2015 by:

*Leica Microsystems (Schweiz) AG  
Max Schmidheiny Strasse 201  
CH-9435 Heerbrugg (Switzerland)*

In case of questions, please contact the hotline:  
[sms.support@leica-microsystems.com](mailto:sms.support@leica-microsystems.com)

# Chapter Overview

<b>Safety regulations</b>	<b>5</b>
<b>The Leica DM500</b>	<b>16</b>
<b>Get Ready!</b>	<b>19</b>
<b>Get Set!</b>	<b>26</b>
<b>Go!</b>	<b>35</b>
<b>Care of the Microscope</b>	<b>37</b>
<b>Dimensions</b>	<b>40</b>

# Contents

## Safety Regulations

Safety Concept	6
Symbols Used in This Operating Manual	7
Important Notes	8
Instructions on Use	9
Health Risks and Dangers of Use	11
Information for the Person	
Responsible for the Instrument	12
Care Instructions	13
Accessories, Maintenance and Repair	14
Electrical Data and Ambient Conditions	15

## The Leica DM500

Congratulations!	17
Unpacking	18

## Get Ready!

Attaching the Viewing Tubes	20
Leica EZ Viewing Tube – Integrated Eyepieces	21
Leica Standard Viewing Tube – Separated Eyepieces	23
Eyeguards	24
Installing Objectives and Substage Condenser	25

## Get Set!

Turning on the Microscope	27
Using the Condenser	28
Prepare to View a Specimen Slide	29
Focusing	30
Viewing Tube Adjustment	31
Oil Immersion Technique	33

## Go!

Ready! Set! Go!	36
-----------------	----

## Care of the Microscope

General Maintenance	38
---------------------	----

## Dimensions

Dimensions	41
------------	----



# Safety Regulations

# Safety Concept

The individual modules of the Leica DM microscopy series include an interactive CD-ROM with all relevant user manuals several languages. Keep it in a safe place, and readily accessible to the user. User manuals and updates are also available for you to download and print from our website at [www.leica-microsystems.com](http://www.leica-microsystems.com).

This operating manual describes the special functions of the individual modules of the Leica DM microscopy series and contains important instructions for their operational safety, maintenance, and accessories.

The "Safety concept" booklet contains additional safety information regarding the service work, requirements and the handling of microscope, accessories and electrical accessories as well as general safety instructions. You can combine individual system articles with articles from external suppliers. Please read the user manual and the safety requirements of the supplier.

Before installing, operating or using the instruments, read the user manuals listed above. In particular, please observe all safety instructions.

To maintain the unit in its original condition and to ensure safe operation, the user must follow the instructions and warnings contained in these user manuals.

# Symbols Used in This Operating Manual

## Warning of a danger



This symbol indicates especially important information that is mandatory to read and observe.

Failure to comply can cause the following:

- Hazards to personnel
- Functional disturbances or damaged instruments

## Warning of hazardous electrical voltage



This symbol indicates especially important information that is mandatory to read and observe.

Failure to comply can cause the following:

- Hazards to personnel
- Functional disturbances or damaged instruments

## Danger due to hot surface



This symbol warns against touching accessible hot surfaces, e.g. those of light bulbs.

## Important information



This symbol indicates additional information or explanations that intend to provide clarity.

## Explanatory notes

- ▶ This symbol within the text points to additional information and explanations.



Instructions for disposing of the instrument, accessory components, and consumables.

# Important Notes

## Description

The Leica DM500 microscope meets today's state of the art of technology. Nevertheless, hazards may still arise during operation. The potential risks are described below.



Before installing, operating or using the instruments, it is required to read this user manual. In particular, please observe all safety instructions.

## User manual

This user manual includes important instructions related to operating safety, maintenance and accessories.



Your Leica DM500 microscope comes with an interactive CD-ROM with all relevant user manuals. Keep it in a safe place, and readily accessible to the user. User manuals and updates are also available for you to download and print from our website at [www.leica-microsystems.com](http://www.leica-microsystems.com).

## Accessories from third-party suppliers

You can combine individual system articles with articles from external suppliers. Please read the user manual and the safety requirements of the supplier.

## Original condition

To maintain the unit in its original condition and to ensure safe operation, the user must follow the instructions and warnings contained in these user manuals.

## Legal requirements

Adhere to general and local regulations relating to accident prevention and environmental protection.

## EC Declaration of Conformity

Electrically operated accessories are constructed based on the state of the art of technology and are provided with an EC Declaration of Conformity.



# Instructions on Use



The Leica DM500 microscope may be used only in closed rooms and must be placed on a solid substrate.

The Leica DM500 microscope can be used in clean rooms without any problems.



Always position the Leica DM500 microscope so that you can disconnect it from the power supply at any time. The power cable must remain accessible at all times, because it is intended as a power disconnect device.

## Place of use

Only use the instruments in closed, dust free rooms and between +10°C and +40°C. Protect the devices from oil, chemicals and extreme humidity. If using the devices outdoors, protect them from dust and moisture. Never use electrical devices outdoors. Install electrical devices at least 10 cm from the wall and away from flammable substances.

Avoid large temperature fluctuations, direct sunlight and vibrations. These conditions can distort measurements and micrographic images.



In warm and warm-damp climatic zones, the individual components require special care in order to prevent the build-up of fungus.

## Non-intended use



Never install any other plug or unscrew any mechanical components unless expressly instructed to do so in the instructions.



The devices and accessories described in this instruction manual have been tested for safety and potential hazards.



The responsible Leica affiliate must be consulted whenever the instrument is altered, modified or used in conjunction with non-Leica components that are outside of the scope of this manual!



Unauthorized alterations to the instrument or noncompliant use shall void all rights to any warranty claims.

## Instructions on Use (Continued)

### Transport

If at all possible, use the original packaging for shipping or transporting individual modules.

In order to prevent damage from vibrations, disassemble all moving parts that (according to the user manual) can be assembled and disassembled by the customer and pack them separately.

### Disposal

Once the product has reached the end of its service life, please contact Leica Service or Sales about disposal.

Please observe and ensure compliance with the national laws and regulations that implement, for example, the EC Directive WEEE.



Like all electronic devices, this instrument, its accessory components and consumables must never be disposed of with general household waste. Disposal must comply with locally applicable laws and regulations.

### Integration in third-party products

When installing Leica products into third-party products, the manufacturer of the complete system or its dealer is responsible for following all applicable safety instructions, laws and guidelines.

# Health Risks and Dangers of Use

## Health risks



Workplaces with microscopes facilitate and improve the viewing task, but they also impose high demands on the eyes and holding muscles of the user. Depending on the duration of uninterrupted work, asthenopia and musculoskeletal problems may occur. For this reason, appropriate measures for reduction of the workload must be taken:

- Optimum workplace layout
- Frequent changes of activity
- Thorough training of the personnel, giving consideration to ergonomic and organizational aspects

The ergonomic design and construction of the Leica microscopy series are intended to reduce the exertion of the user to a minimum.

## Danger of infection



Direct contact with eyepieces is a potential transmission method for viral infections of the eye.



The risk can be kept to a minimum by using personal eyepieces for each individual or detachable eyecups.

## Dangers during use

- The Leica DM500 microscope may only be connected to a grounded socket.
- The Leica DM500 microscope may not be operated unless it is in proper functioning condition.

The microscope illumination is in the exempt group (risk group 0) according to EN 62471:2008 when used according to its intended use.



Never look directly into the LED beam of the illumination equipment – either with or without optical instruments – as this increases the risk class. Failure to observe this notice poses a risk of eye damage.

# Information for the Person Responsible for the Instrument

## Information for the person responsible for the instrument

- Ensure that the Leica DM500 microscope is used only by qualified personnel.
- Ensure that this user manual is always available at the Leica DM500 microscope.
- Carry out regular inspections to make certain that the authorized users are adhering to safety requirements.
- When instructing new users, do so thoroughly and explain the meanings of the warning signs and messages.
- Assign individual responsibilities for starting, operating and servicing the instrument and monitor the observance of these responsibilities.
- Do not use the Leica DM500 microscope unless it is in perfect condition.
- Inform your Leica representative or Leica Microsystems (Schweiz) AG, 9435 Heerbrugg, Switzerland, immediately of any product defect that could potentially cause injury or harm.
- If you use accessories made by third-party manufacturers with the Leica DM500 microscope, be sure that each such manufacturer confirms the safety-engineering, harmless usability of the product and observe the product's user manual.
- Modifications and maintenance of the Leica DM500 microscope may only be performed by professionals expressly authorized by Leica.
- Only original Leica replacement parts may be used in servicing the product.
- After service work or technical modifications, the unit must be reconfigured with observance to our technical requirements.
- If the unit is modified or serviced by unauthorized persons, is improperly maintained (as long as maintenance was not carried out by us), or is handled improperly, Leica will not accept any liability.
- The electric installation in the building must conform to the national standard, e.g. current-operated ground leakage protection (fault-current protection) is suggested.

# Care Instructions

## General instructions

- Protect the Leica DM500 microscope against damp, vapors, acids, alkalis, and corrosive substances. Do not store chemicals in the vicinity.
- Protect the Leica DM500 microscope from oil and grease. Never grease or oil mechanical parts or sliding surfaces.
- Follow the instructions of the disinfectant manufacturer.
- It is advisable to enter a service agreement with Leica Service.

## Cleaning coated parts and plastic parts

- Dust and dirt particles should be removed with a soft brush or lint-free cotton cloth.
- Remove coarse debris with a moistened disposable cloth.
- Acetone, xylene or nitro-containing thinners must NOT be used.
- Never use chemicals to clean colored surfaces or accessories with rubberized parts. This could damage the surfaces, and specimens could be contaminated by abraded particles.

## Cleaning glass surfaces

- Remove dust using a dry and grease-free brush made from hair, by blowing with bellows, or by using a vacuum.
- Optical surfaces should be cleaned with a lint-free cloth, lens tissue, or cotton swab moistened with a commercially available glass cleaner.

# Accessories, Maintenance and Repair

## Accessories

Only the following accessories may be used with the Leica DM500 microscope:

- The Leica accessories described in this user manual.
- Other accessories, provided that these have been expressly approved by Leica as being technically safe in this context.

## Maintenance

- The Leica DM500 microscope is basically maintenance-free. To ensure that it always operates safely and reliably, we recommend that you take the precaution of contacting the responsible service organization.



You can arrange for periodic inspections or, if appropriate, conclude a maintenance contract with them.

- It is advisable to enter a service agreement with Leica Service.
- For maintenance and repair, only OEM spare parts may be used.

## Repairs and service work

- Only original Leica Microsystems spare parts may be used.
- Before opening the instruments, switch off the power and unplug the power cable.
- Avoid contact with powered electrical circuits, which can lead to injury.

## Service address

In case of problems, please contact us as follows:

[stereo.service@leica-microsystems.com](mailto:stereo.service@leica-microsystems.com)

# Electrical Data and Ambient Conditions

## Fuse replacement



Unplug the instrument before changing any fuses. The Leica DM500 has two fuses, which are located behind the power cord receptacle.



Use only fuse type: 5×20 mm, 1 Amp/250 V, Quick acting (# 13RFAG30003)

## Electrical data

Leica DM500      Input: 100–240 VAC, 50/60 Hz, 5 W (3 W LED)



Use only 1.2 Volt NiMH type AA rechargeable batteries with a maximum of 2700 mAh. Do not use non-rechargeable AA batteries.

## Environment

Temperature for use	+10 °C ... +40 °C
Storage temperature	-20 °C ... +52 °C +50 °F ... +104 °F
Manipulation shock	25 mm on 50 mm hard wood
Transport shock (unpacked)	100 g / 6 ms
Transport shock (packed)	800 mm free fall
Transport vibrations (unpacked)	5–200 Hz / 1.5 g
Atmospheric pressure "in use" and for storage	500–1060 mBar
Humidity "in use" and for storage	20–90 %
Installation Category II (Overvoltage Category)	
Pollution degree 2	

# The Leica DM500



# Congratulations!

Thank you for purchasing the Leica DM500 Compound Microscope from Leica Microsystems. This model's exclusive design features and full range of accessories make it a truly versatile, high-quality instrument.

# Unpacking

- Carefully remove the microscope and any components from the packing carton.
- Check the components against the planned configuration.
- Optional items such as contrast accessories, camera adapters, cameras, and carrying cases are not shipped as part of the standard equipment. These items are delivered in separate packages.
- Please do not discard any of the packing materials. They should be used for safely storing and transporting the instrument should the need arise.




# Get Ready!

# Attaching the Viewing Tubes

## Tools used

- Allen key



 There are two types of viewing tube. Identify which viewing tube you have:



*Type 1: Leica EZ viewing tube with integrated eyepieces*



*Type 2: Standard viewing tube with separate eyepieces*

1. Slightly unscrew the set screw (located on top of the stand) with the Allen key tool provided.



2. Insert the dovetail into the stand support and tighten the set screw firmly without forcing it. This precisely positions the viewing tube onto the optical axis of the microscope, regardless of the selected rotation.



# Leica EZ Viewing Tube – Integrated Eyepieces



*Leica EZ viewing tube with integrated eyepieces*

**i** To rotate the Leica EZ viewing tube, either loosen the set screw on the stand or replace the set screw with the (optional) captive thumbscrew.

1. To use the captive thumbscrew, completely remove the set screw that comes with the stand.



**⚠** Be sure the thumbscrew portion of the captive thumbscrew is fully loosened before attaching it to the stand:




2. Position the Leica EZ viewing tube back in place on the stand.




3. Attach the captive thumbscrew using the wrench tool that comes with the captive thumbscrew.



## Leica EZ Viewing Tube – Integrated Eyepieces (Continued)

 You can now safely rotate the Leica EZ viewing tube by loosening the captive thumbscrew, rotating the viewing tube, and tightening the captive thumbscrew again.

 The eyepieces are already integrated with the Leica EZ viewing tube and are pre-adjusted for corrected vision; therefore no eyepiece adjustment or insertion is necessary.


Go on to the section "[Eyeguards](#)" on [page 24](#).



## Leica Standard Viewing Tube – Separated Eyepieces



*Standard viewing tube; eyetubes do not yet contain the eyepieces*


 The standard viewing tube has a rotatable dovetail. Therefore, you can now rotate the standard viewing tube freely in any orientation.

1. Insert the eyepieces into the eyetubes.




2. Lock the eyepieces into the eyetubes by tightening the silver screws on the underside of the eyetubes with a standard Cross type (Phillips) screwdriver (not provided).




 The eyepieces will still rotate, but they will be captive in the eyetubes.

# Eyeguards

 If you wear eyeglasses for microscope viewing, keep the rubber eyeguards folded down. If you do not wear eyeglasses, you may find it useful to unfold the rubber eyeguards in order to help block out ambient room light.



 If you have purchased a standard microscope configuration, you will notice that the objectives are already installed on the nose-piece, and the substage condenser is already installed on the stand. In this case, go to section "[Operation](#)" on [page 27](#). If you purchased your Leica DM500 by components and not by standard configuration, please continue to section "[Installing Objectives](#)" on [page 25](#).



# Installing Objectives and Substage Condenser

## Installing objectives



Always rotate the nosepiece by using the knurled nosepiece ring.

1. As you rotate the nosepiece clockwise, attach the objectives by screwing them into the nosepiece holes starting with the lowest magnification and advancing to the highest magnification.




## Substage condenser




The Leica DM500's substage condenser is pre-installed, pre-focused, and pre-centered. No additional installation or alignment is required.

# Get Set!


# Turning on the Microscope

 As a safety precaution, the power cord has been grounded to the microscope base. Never use an adapter between the power cord and the power source; it will render the grounding feature ineffective.

## Work surface

 Always use your microscope on a hard, stable surface.

## Power cord


 If the power cord is not already attached, attach it securely to the back of the microscope.

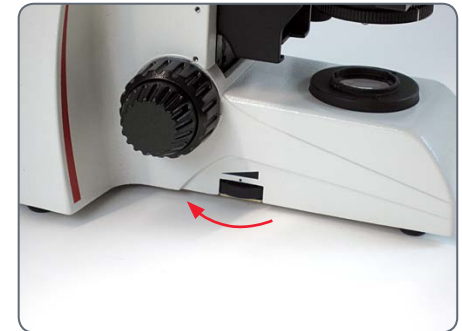


## USB power connector

The Leica DM500 has a 5 V/1.5 A USB power connector in the center of the cord wrap. This can be used to power some Leica cameras or other devices which require 5 V/1.5 A.

## Setting the illumination intensity

 Set the illumination control knob (located on the bottom left of the microscope stand) to the lowest setting to start. The illumination control knob allows you to adjust the intensity of light produced by the illumination system.



# Using the Condenser

## Plug in and turn on the microscope

1. Plug the microscope power cord into a suitable grounded electrical outlet.



A grounded 3-wire cord is provided.

2. Turn the microscope on using the switch on the bottom right-hand side of the microscope stand.



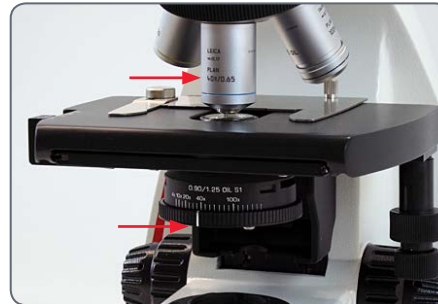
*On/Off switch is located on the bottom right hand side of the stand*

## Using the condenser



The condenser is furnished with an iris diaphragm, which can be adjusted to match the effective numerical aperture of each objective.

1. To open and close the iris diaphragm, simply rotate the knurled condenser ring to the right or to the left so that the line on the rotating ring aligns with the objective magnification in use.

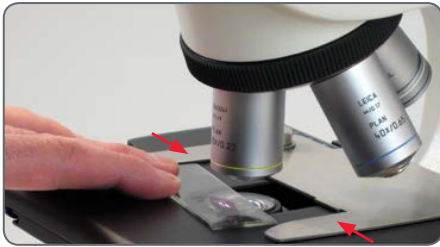


2. To start, fully open the iris diaphragm of the aperture condenser by rotating the condenser ring to the extreme right.

# Prepare to View a Specimen Slide

## Prepare to view a specimen slide

1. Place a specimen slide on the stage by sliding the specimen slide forward into the slide grips.
2. Use the X/Y stage control to position the slide so a portion of the specimen is under the objective in use.



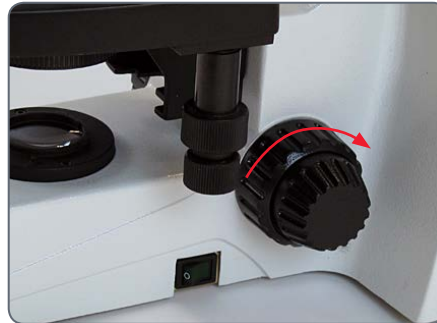
*Slide grips hold the slide in place.*



# Focusing


## Focusing

1. Rotate the nosepiece (using the knurled nosepiece ring) to move the lowest magnification objective into working position.
2. Raise the stage by rotating the coarse adjustment knob to its positive stop at the highest position.

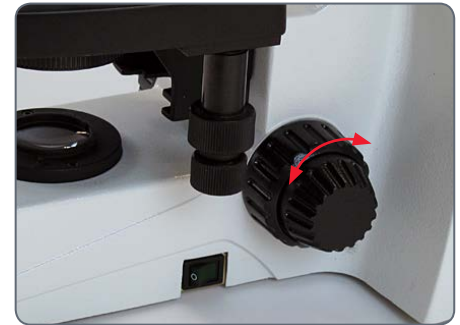


*Coarse adjustment knob*

3. Look into the eyepieces and adjust the illumination intensity so that it is comfortable for viewing.

 The Leica DM500 microscope stand has been factory-adjusted so that the stage focus can be found within 1.5 rotations of the fine focus adjustment from this position.

4. Using the fine adjustment knob, bring the specimen into sharp focus.



*Fine adjustment knob*

# Viewing Tube Adjustment

1. Adjust the eyetubes for your interpupillary distance. Fold or unfold the eyetubes to decrease or increase the distance between the eyepieces until you see one illuminated circle.



**i** The viewing tubes maintain a constant tube length for all interpupillary settings. This means that a change of interpupillary distance does not affect parfocality, magnification, or calibrations that depend on magnification.

## Leica EZ viewing tube

If you are using a Leica EZ viewing tube, which already has the eyepieces integrated with the eyetubes, there are no additional adjustments necessary. Be sure you are wearing your eyeglasses or contact lenses. Go on to section "[Oil Immersion](#)" on [page 33](#).

## Standard viewing tube with two fixed eyepieces

If you are using a standard viewing tube with two fixed eyepieces (no focusing eyepieces), there are no additional adjustments necessary. Be sure you are wearing your eyeglasses or contact lenses. Go on to section "[Oil Immersion](#)" on [page 33](#).


## Standard tube with one or two focusing eyepieces

If you are using a standard viewing tube with one or two focusing eyepieces, you need to make some adjustments:

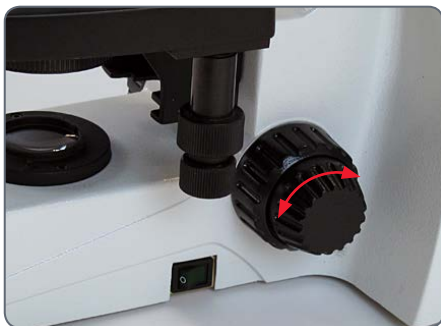
1. Set the focusing eyepieces to the "0" diopter setting.



## Viewing Tube Adjustment (Continued)

 If you are comfortable wearing your corrective lenses (contact lenses or eyeglasses) for microscope viewing, leave them on and your adjustments will be minimal.

2. Focus on the specimen using the fine adjustment knob of the microscope while looking only through one of the eyepieces (if you have one focusable and one non-focusable eyepiece, look through the non-focusable eyepiece at this time). To help focus, cover or close the other eye.




3. Now switch to look only through the other eyepiece (focusing eyepiece) with your other eye. This time, focus the specimen by using the focusing capability in the focusing eyepiece.



Do not raise or lower the stage to focus.

4. Grip the knurl on the focusing eyepiece with one hand and rotate the top of the eyepiece with the other hand until the specimen is in focus with this eye and this focusing eyepiece. This corrects for any vision differences between your right eye and left eye.

5. Now switch to a high magnification objective (not an oil objective) and focus the microscope while viewing with both eyes.

 The higher magnifications have a shallower depth of field. Therefore, after focusing with a high magnification, you will find that when you change to lower magnifications, you only have to adjust the fine focus slightly, if at all.

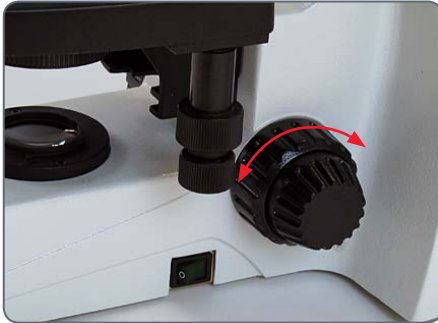




# Oil Immersion Technique

## Oil immersion technique

1. Find the field of view on the slide that you would like to inspect.
2. Lower the stage to its lowest position using the coarse focus knob.



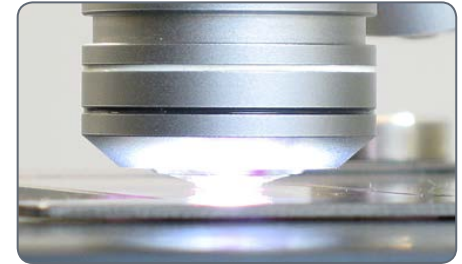
3. Place a drop of Leica Immersion Oil on the specimen slide on the area of the specimen that you were inspecting.



4. Swing the oil immersion objective in place (the objective will be labeled "OIL")



5. Raise the stage slowly using the coarse focus knob until the drop of oil on the specimen slide just comes in contact with the front of the oil immersion objective lens.



6. Grip the knurled nosepiece ring and rock the objective back and forth to eliminate any air bubbles, then settle the oil objective into position with the oil between the front lens of the objective and the specimen slide.

## Oil Immersion Technique (Continued)

7. Look through the microscope and slowly rotate the fine focus knob to raise the stage until the specimen is in focus.
8. When finished using the oil immersion objective, be sure to clean the front of the objective, the specimen slide, and any other surfaces that the oil contacted using the instructions in section "Care of the Microscope" on page 37.



# Go!

## Ready! Set! Go!

Now all you need to do is change objectives, set the condenser appropriately for the objective magnification in use, and enjoy the view!



# Care of the Microscope

# General Maintenance

## General



Always carry the microscope using two hands. There is a handle on the back of the microscope and an undercut in the front for this purpose.



- The cord wrap allows you to wrap the cord in such a way that only the length you need is extended.



- If any optical surface becomes coated with dust or dirt, clean the surface by blowing it off with a syringe or brushing it off with a camel hair brush before attempting to wipe the surface clean.
- Optical surfaces should be cleaned with a lint-free cloth, lens tissue, or cotton swab moistened with a commercially available glass cleaner.
- It is very important to avoid the excessive use of solvents, so use them sparingly. The lint-free cloth, lens tissue or cotton swab should be moistened with solvent, but not be wet enough for the solvent to seep around the lens.
- Keep all optical components clean. Cleanliness is important for maintaining good optical performance.
- The microscope should always be covered with the plastic dust cover (provided with the instrument) when it is not in use.

## General Maintenance (Continued)

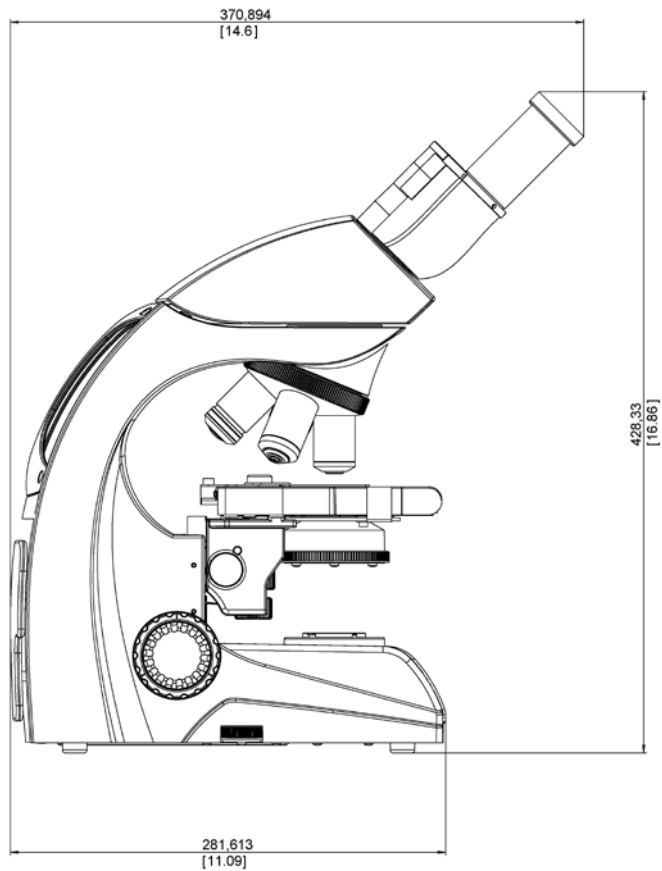
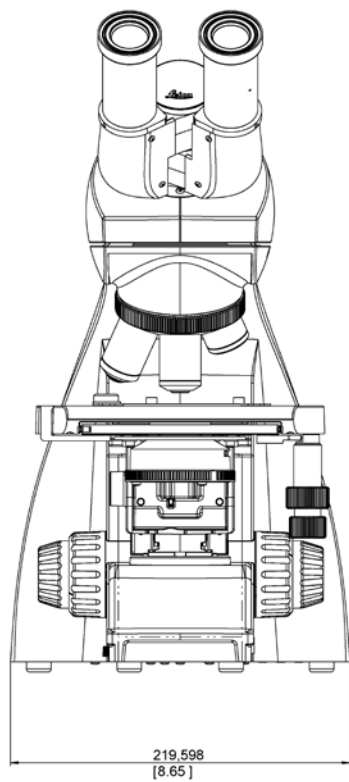
- No part of the microscope is quite so vulnerable to collecting dirt, dust, and oil as the front lens of the objective. Whenever you encounter lack of contrast, cloudiness or poor definition, carefully check the condition of the front lens with a magnifier.
- Cleaning 40× and 100× objectives requires more care. Note: To achieve the high degree of flatness obtained with higher magnification objectives, the objective has a small concave front lens of fairly short radius or curvature. The surface of this front lens can be readily cleaned with a toothpick covered with a cotton tip, or with a small cotton swab. Moisten the cotton with commercially available glass cleaner. Wipe the front lens lightly without applying undue force or scrubbing action. Make sure that the cotton tip contacts the concave lens surface. Check the objective with a magnifier after cleaning.
- If you need to remove the microscope's viewing body, be careful not to accidentally touch the outer lens surface (located on the underside of the body). Fingerprints on this surface will reduce image clarity. This lens can be cleaned in the same manner as objectives and eyepieces.

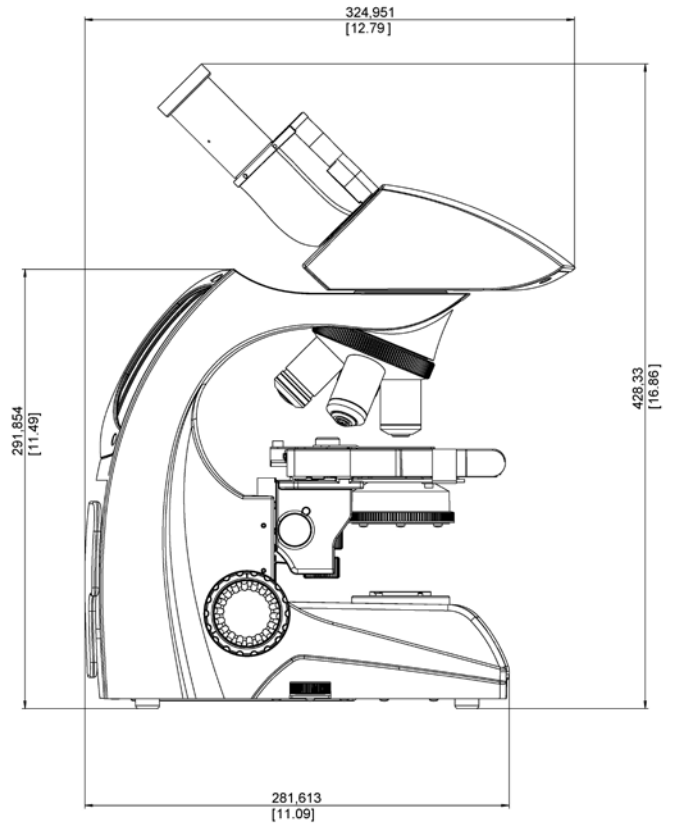
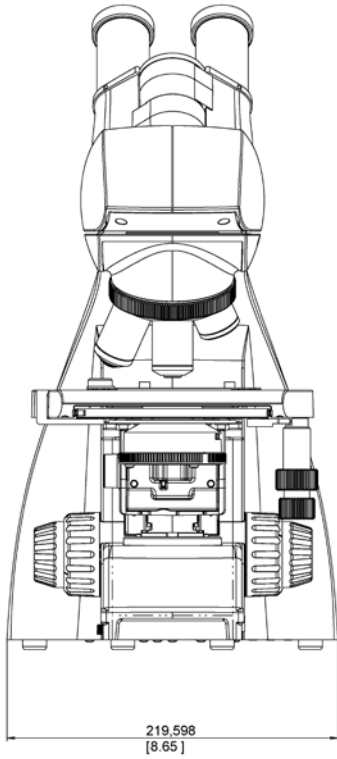
### Illumination

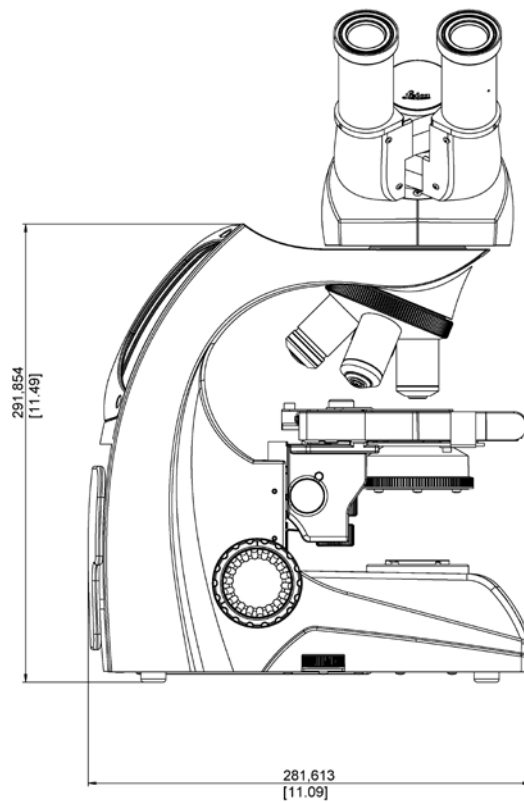
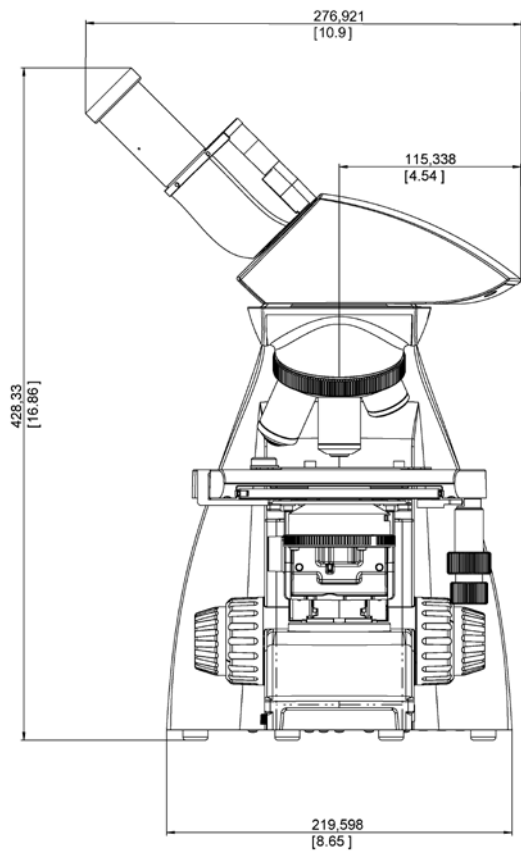
- The Leica DM500 uses LED illumination. Therefore, no lamp changing is required for the life of the microscope.

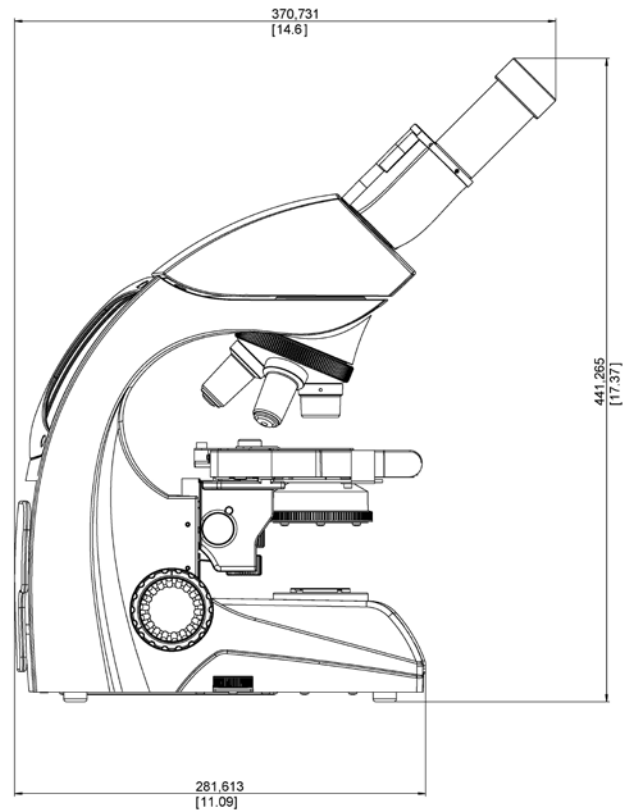
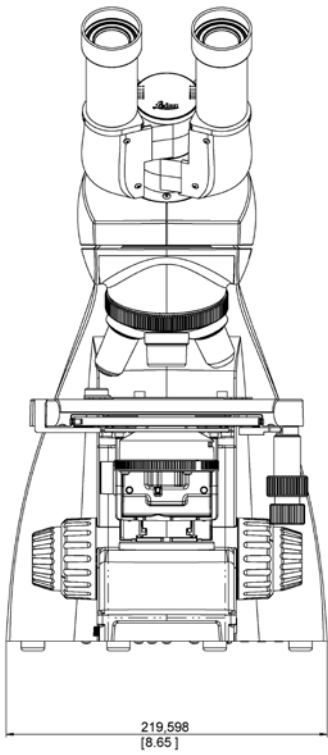
# Dimensions

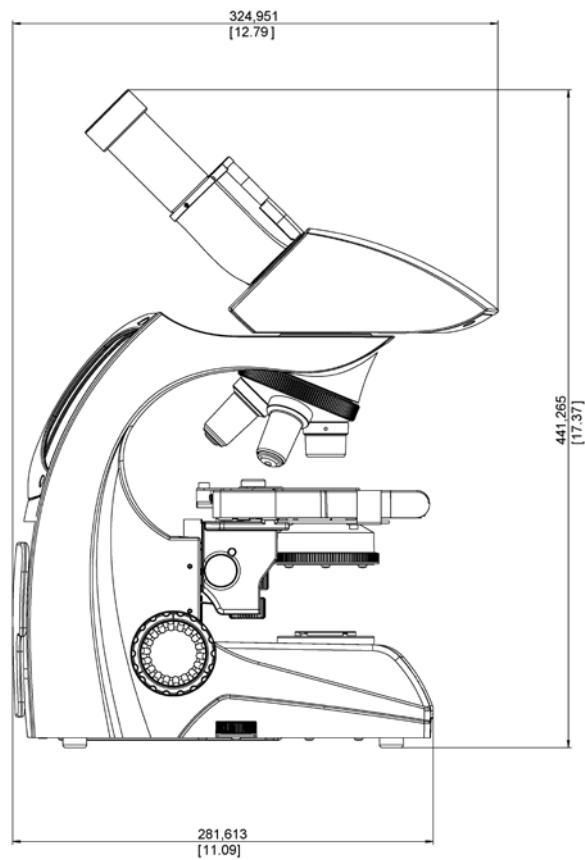
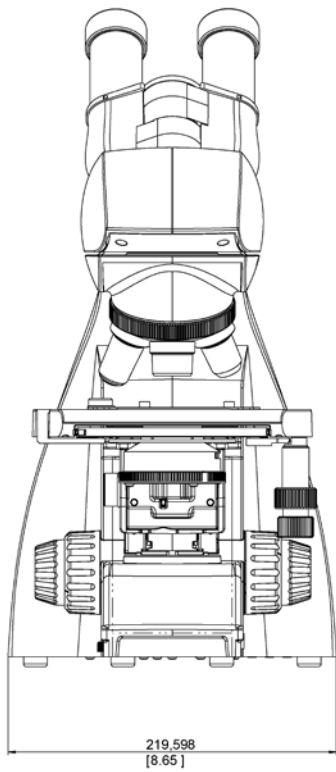












The statement by Ernst Leitz in 1907, *"With the User, For the User,"* describes the fruitful collaboration with end users and driving force of innovation at Leica Microsystems. We have developed five brand values to live up to this tradition: Pioneering, High-end Quality, Team Spirit, Dedication to Science, and Continuous Improvement. For us, living up to these values means: **Living up to Life.**

## INDUSTRY DIVISION

The Leica Microsystems Industry Division's focus is to support customers' pursuit of the highest quality end result. Leica Microsystems provide the best and most innovative imaging systems to see, measure, and analyze the microstructures in routine and research industrial applications, materials science, quality control, forensic science investigation, and educational applications.

Leica Microsystems – an international company with a strong network of worldwide customer services:

Active worldwide	Tel.	Fax
Australia · North Ryde	+61 2 8870 3500	2 9878 1055
Austria · Vienna	+43 1 486 80 50 0	1 486 80 50 30
Belgium · Diegem	+32 2 790 98 50	2 790 98 68
Brazil · São Paulo	+55 11 2764-2411	11 2764-2400
Canada · Concord/Ontario	+1 800 248 0123	847 405 0164
Denmark · Ballerup	+45 4454 0101	4454 0111
France · Nanterre Cedex	+33 811 000 664	1 56 05 23 23
Germany · Wetzlar	+49 64 41 29 40 00	64 41 29 41 55
India · Mumbai	+91 226 1880 200	226 1880 333
Italy · Milan	+39 02 574 861	02 574 03392
Japan · Tokyo	+81 3 5421 2800	3 5421 2896
Korea · Seoul	+82 2 514 65 43	2 514 65 48
Netherlands · Rijswijk	+31 70 4132 100	70 4132 109
People's Rep. of China · Hong Kong	+852 2564 6699	2564 4163
· Shanghai	+86 21 6039 6000	21 6387 6698
Portugal · Lisbon	+351 21 388 9112	21 385 4668
Singapore	+65 6550 5999	6564 5955
Spain · Barcelona	+34 93 494 95 30	93 494 95 32
Sweden · Kista	+46 8 625 45 45	8 625 45 10
Switzerland · Heerbrugg	+41 71 726 34 34	71 726 34 44
United Kingdom · Milton Keynes	+44 800 298 2344	1908 577640
USA · Buffalo Grove/Illinois	+1 800 248 0123	847 405 0164

13IDE12060EN\_1 · Copyright © by Leica Microsystems (Schweiz) AG, CH-9435 Heerbrugg, 2015. Subject to modifications. LEICA and the Leica Logo are registered trademarks of Leica Microsystems IR GmbH.