

INTEGRA



DOSE IT Operating instructions



Declaration of conformity

INTEGRA Biosciences AG – 7205 Zizers, Switzerland

declares on its own responsibility that the device

Description	Model
DOSE IT P910	171 000

complies with:

EU Directives (DoW: Date of Withdrawal)	Before DoW	DoW	After DoW
Low Voltage Equipment	2006/95/EC	20.04.2016	2014/35/EU
Electromagnetic Compatibility	2004/108/EC	20.04.2016	2014/30/EU
Restriction of Hazardous Substances	2011/65/EU		
Waste Electrical and Electronic Equipment	2012/19/EU		

EU Regulations

Registration, Evaluation, Authorisation and Restriction of Chemicals (REACH)	1907/2006
Ecodesign - Power supplies	278/2009

Standards for EU

Safety requirements for electrical equipment for measurement, control and laboratory use - General requirements.	EN 61010-1: 2010
Electrical equipment for measurement, control and laboratory use - EMC requirements.	EN 61326-1: 2013

Standards for Canada and USA

Safety requirements for electrical equipment for measurement, control and laboratory use - General requirements.	CAN/CSA-C22.2 No. 61010-1
Safety requirements for electrical equipment for measurement, control and laboratory use - General requirements.	UL 61010-1

Operation is subject to the following two conditions: (1) this device may not cause harmful interference, and (2) this device must accept any interference received, including interference that may cause undesired operation.	Part 15 of the FCC Rules Class A
---	---

Zizers, November 4, 2016


 Elmar Morscher
 CEO



 Thomas Neher
 Quality Manager

Table of contents

Chapter 1	Introduction	
	1.1 Intended use	5
	1.2 Symbols used.....	5
	1.3 Safety notes	6
Chapter 2	Description of the device	
	2.1 Scope of delivery.....	7
Chapter 3	Installation	
	3.1 Power supply connection	9
	3.2 Retort rod and filling arm (optional).....	9
Chapter 4	Operation	
	4.1 Selection and loading of the tubing	10
	4.2 Parameter settings	13
	4.3 Adjusting the dispensing program.....	15
	4.4 Calibrating the pump	18
	4.5 Performing the dispensing process.....	19
	4.6 Working in Pump mode	19
	4.7 Using the double pumphead configuration (optional).....	20
	4.8 Process documentation (optional).....	21
Chapter 5	Maintenance	
	5.1 Cleaning and servicing.....	23
	5.2 Decontamination	23
	5.3 Leak Test	23
	5.4 Disposal	24
Chapter 6	Technical data	
	6.1 Environmental conditions	25
	6.2 Specifications	25
	6.3 Current consumption depending on input voltage.....	25
Chapter 7	Accessories and consumables	
	7.1 Consumables	26
	7.2 Spare part	27
	7.3 Accessories.....	28

Imprint

© 2017 INTEGRA Biosciences AG

All rights to this documentation are reserved. In particular the rights of reproduction, processing, translation and the form of presentation lie with INTEGRA Biosciences AG. Neither the complete documentation nor parts thereof may be reproduced in any way, or stored and processed using electronic media or distributed in any other way without the written consent of INTEGRA Biosciences AG.

This operating instruction manual has the part number 171250, version number V06. It applies to firmware version 2.02 or higher until a newer revision is released.

Manufacturer

INTEGRA Biosciences AG
CH-7205 Zizers, Switzerland
T +41 81 286 95 30
F +41 81 286 95 33

INTEGRA Biosciences Corp.
Hudson, NH 03051, USA
T +1 603 578 5800
F +1 603 577 5529

info@integra-biosciences.com
www.integra-biosciences.com

Customer service

Please contact your local INTEGRA Biosciences representative.
To find out name and address of your local representative go to
www.integra-biosciences.com.

Further information and operating instructions in other languages are available on
www.integra-biosciences.com or on request (info@integra-biosciences.com).

1 Introduction

1.1 Intended use

This is a general-purpose laboratory instrument. Any use of this instrument in a medical or IVD setting is the sole responsibility of the user.

The programmable peristaltic pump DOSE IT is designed for pumping and dispensing liquids in a volume range of 0.1 ml to 9999 ml using silicone tubings.

1.2 Symbols used

This operating instruction manual makes specific reference to residual dangers using the symbols shown below.

1.2.1 Hazard warnings in these operating instructions

**WARNING**

This safety symbol advises of hazards that could result in injury or death. It also indicates hazards for machinery, materials, and the environment. It is essential that you follow the relevant precautions.

**CAUTION**

This symbol cautions about potential material damage or data loss in a microprocessor controller. Follow the instructions.

**NOTE**

This symbol identifies important notes regarding the correct operation of the device and labor-saving features.

1.2.2 Hazard warnings on the device

**ROTATING COG WHEELS**

Risk to squash your fingers.

1.3 Safety notes

The DOSE IT conforms to the state of technology and the recognized safety rules, and is operationally safe. Operate the DOSE IT when in perfect conditions only and observing this user manual.

Residual dangers can emanate from the device if it is used or operated incorrectly by untrained personnel. All persons entrusted with operation of the DOSE IT must have read and understood this user manual and, in particular, the safety notes, or must have been instructed by their superior such that they are able to operate the device without danger.

Please observe the danger references on the device.

Do not carry out any conversion work or alterations on the device.

Irrespective of the safety instructions set out here, applicable provisions and regulations must be observed in addition; for example, GLP, GMP, FDA, of the employer's liability insurance associations, of the health authorities and of the trading standards authorities.

Please visit our website www.integra-biosciences.com on a regular basis for up to date information regarding REACH classified chemicals contained in our products.

2 Description of the device

2.1 Scope of delivery

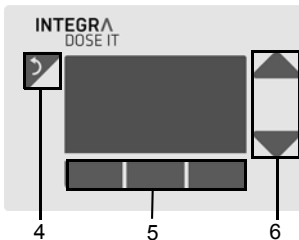
- DOSE IT P910 peristaltic pump
- Silicone tubing, autoclavable, 4 mm inner diameter (ID)
- 2x Aspiration/dispensing tubes 10 cm, stainless steel, 4 mm ID, one end dented
- Aspiration tube 35 cm, stainless steel, 4 mm ID, one end dented
- Tube collar
- AC adapter
- Operating Instructions

2.2 Overview of the DOSE IT

Front view



- 1 Housing
- 2 Operating panel with display and keypad
- 3 Pumphead



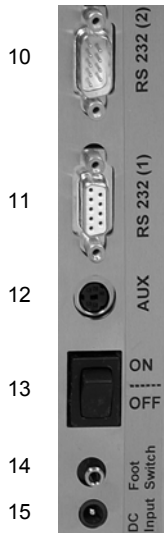
Operating panel

- 4 Back-key
- 5 Function keys
- 6 Arrow keys



Rear view

- 7 Screw threads for fixation of the retort rod
- 8 Handhold
- 9 Connections and mains switch (see below)



Connections and mains switch

- 10 RS-232 interface for connection with serial printer
- 11 RS-232 interface for service connection
- 12 AUX connection for controlling a second DOSE IT
- 13 Mains switch
- 14 Connection for foot switch, benchtop switch or MEDIAJET
- 15 Mains connection socket

3 Installation

The DOSE IT is a ready-to-use peristaltic pump that requires only a minimal installation procedure. It shall be installed on a planar surface, in a dry and dust-free environment.

**NOTE**

Before proceeding with the installation compare the contents of the package with the list "2.1 Scope of delivery" on page 7. Should something be missing or should you find a faulty component, please contact your local INTEGRA Biosciences representative.

3.1 Power supply connection

Connect the AC adapter cable to the DOSE IT mains connection socket and plug it to the electricity mains.

**WARNING**

The supply voltage must meet the requirements of the AC adapter: 100-240 VAC, 50-60 Hz.

3.2 Retort rod and filling arm (optional)



Fix the retort rod with the two screws on the rear side, using a Phillips screwdriver (PH2), see "[Screw threads for fixation of the retort rod](#)" on page 8.

Mount the filling arm onto the rod and tighten it with the side lever in order to prevent it from moving during dispensing.

4 Operation

The DOSE IT operates in different modes: DISPENSE mode for distribution of a defined volume into containers and PUMP mode for continuous pumping of liquids. In addition, customized applications can be defined (software version 2.0 and higher).

4.1 Selection and loading of the tubing

4.1.1 Tubing selection

The pumphead of the DOSE IT is compatible with differently sized tubing allowing the user to dispense a wide range of dose volumes. The main criteria for the choice of tubing are the speed and precision requirements of a specific application. The larger the inner diameter (ID) of the tubing, the faster but less precise is the dispensing.

As a reference for selecting the appropriate inner diameter of the tubing, typical volume and speed values for different tubing sizes are listed in Table 1.

Table 1: Typical volume and speed values

Tubing inner diameter (ID)	1 mm	2 mm	3 mm	4 mm	6 mm
Volume (ml) at CV* < 1%	>0.5	>1	>3	>7	>15
Speed range (ml/min)	0.6–52	2.1–203	4.8–475	8.4–837	16–1634
* Coefficient of variation					



NOTE

The indicated volume values relate to the specified reproducibility and not to the actual limits of the system. The values have been determined experimentally and may vary slightly depending on the experimental set up.

Compatibility with the pumphead and specified reproducibility can be guaranteed for original INTEGRA Biosciences' tubing only.



NOTE

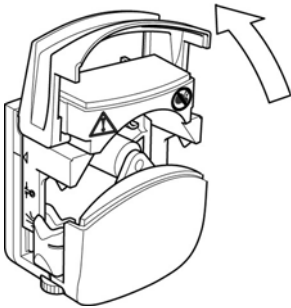
8 mm ID tubing is only recommended for the “Pump” program mode.

4.1.2 Loading of the tubing in the pumphead

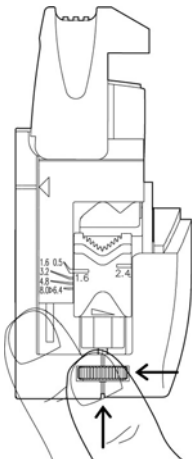


WARNING

Always switch off the DOSE IT when loading the tubing and when manipulating the open pumphead.



1 Open the pumphead



2 Adjust the tubing clamps

The jagged, V-shaped tubing clamps on both sides of the pumphead need to be adjusted and guarantee that the tubing does not slip when the rotor turns. The tubing clamps are set by adjusting the finger screws in such a way as to match the diameter of the tubing.

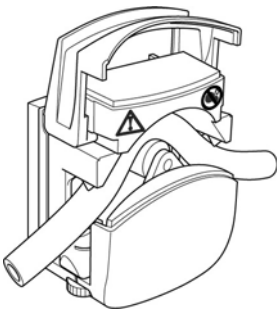


CAUTION

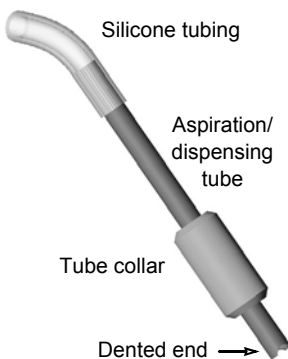
Do not adjust the tubing clamps according to the scale on the pumphead sides because the tubing will be unnecessarily squeezed and might be damaged. Also the pumping precision will be diminished. Use instead the adjustments described in Table 2.

Table 2: Adjustments of the clamps for differently sized tubing

Tubeing ID	Adjustment of the clamps
1 mm	Turn the finger screws till the 1.6-marking on the clamps is positioned between the 3.2 and the 4.8 scale-values.
2 mm	Turn the finger screws till the 1.6-marking on the clamps matches the 4.8 value on the scale.
3 mm	Turn the finger screws till the 1.6-marking on the clamps matches the 6.4 value on the scale.
4–8 mm	Completely open the clamps. Turn the finger screws right till the stop position.

**3 Insert the tubing**

Place the tubing over the rollers and center it so that it comes out of the pump head over the clamps on both sides. Close the pumphead and make sure that the tubing exits the pumphead unhindered and bending downwards. The tubing must not be bent upwards or towards the front or back.

4.1.3 Connecting the dispensing and aspiration tubes

The aspiration/dispensing tubes delivered with the DOSE IT facilitate the dosing process and are fitted on the end of the tubing. The aspiration tube is dented on one end in order to guarantee a free flowing of the liquid entering the tubing. Make sure not to insert the dented end of the aspiration tube into the silicone tubing.

The tube collar can either be screwed on the aspiration tube to weigh it down or to the dispensing tube as a spacer for use with a clamp.

4.2 Parameter settings

4.2.1 System parameters

System-Parameter	Description
Language	Set the desired language.
Time/Date	Set time and date.
Display contrast	Change the contrast of the display.
Access code	Provides user access restrictions to parameters.
Info	General information on the unit: <ul style="list-style-type: none"> • Version of the software • Version of the electronics • Serial number.

4.2.2 Program parameters

Some parameters described are not displayed in every program mode.

Parameter	Description	Range	Default
Name	Allows to name the program with up to 16 alphanumeric symbols. Press the arrow keys simultaneously to delete the program name.	-	-
Type	Defines the program mode: "Pump" for continuous pumping of a liquid, "Dispense" for the dosing of liquids, or "Customize" to create a customized application.	Dispense Pump Customize	Dispense
Tubing-ID (mm)	Defines the Inner Diameter (ID) of the tubing.	1.0–8.0 mm	4.0 mm
Flow rate (ml/min)	Allows to set the pump speed. The flow rate depends on the tubing inner diameter.		
Time (h min s)	Defines the duration of the pumping. Entering 0 h 0 min 0 s puts the unit in continuous operation, which is represented by the infinite symbol (∞).	1"–9 h59'59" ∞	1h
Volume	Defines the volume of a dose in the dispensing mode.	0.01–9999 ml	10 ml
Repetitions	Defines the number of doses in the dispensing mode. Entering 0 results in an unlimited number of doses, which is represented by the infinite symbol (∞).	1–999 ∞	20

Parameter	Description	Range	Default
Pause	Defines the duration of the interval between doses in the dispensing mode. If switching to manual, the dispensing of a dose has to be activated manually.	0.1–99.9 s, manual	1.0 s
Direction	Defines the rotational direction of the rotor and hence the flow direction. ⤵/CW means clockwise, ⤴/CCW means counter-clockwise.	⤵/CW ⤴/CCW	⤵/CW
Dispense direction	Defines the rotational direction for the step type “Dispense”. For the step type “Aspiration” the rotor rotates oppositely.	⤵/CW ⤴/CCW	⤵/CW
No. of heads	Defines the number of pump heads.	1, 2	1
Step 1–20	Defines single steps of a customized application.	1–20	-

Customize mode

The ‘Customize’ mode allows to program a customized application consisting of up to 20 single steps:

Step	Description	Parameter
Dispense	Defines the dosing of liquids analog to the program mode “Dispense”. The rotational direction is defined by the parameter “Dispense direction”.	Volume Repetitions Flow rate Pause
Dispense Ramp	Defines dispensing with accelerating or decelerating speed, needed e.g. for density gradients. Just define the start and end flow to ramp the dispensing speed up or down. If the start flow is identical to the speed of the previous step, and the pause of the previous step is set to manual, the liquid can be dispensed without pause.	Volume Repetitions Pause Start flow End flow
Aspirate	Defines the aspiration of liquids analog to the program mode “Dispense” with opposite rotational direction.	Volume Repetitions Flow rate Pause
Aspirate Ramp	Defines the aspiration of liquids with accelerating or decelerating speed. Just define the start and end flow to ramp the aspirating speed up or down. If the speed of the following step is identical to the end flow, and the pause is set to manual, the DOSE IT continues without pause.	Volume Repetitions Pause Start flow End flow

Step	Description	Parameter
Pump	Defines continuous pumping of a liquid.	Direction Flow rate Time
Wait	Defines the duration of the interval between two steps. Manual mode means that the next step has to be activated manually.	1"–9 h59'59" manual
Cycles	Defines the number of cycles of a sequence. A cycle always initiates a return back to a defined step, e.g. step 1. You can define several cycles within your customized sequence.	1–999, ¥
-	No operation, used as default setup of step.	-

4.3 Adjusting the dispensing program

4.3.1 Choosing the language

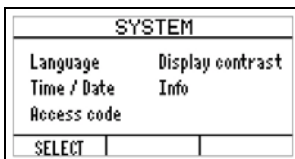


NOTE

Because it is easiest to operate the DOSE IT by following the instructions on the screen, please select the language you are most familiar with.



- 1 Switch on the DOSE IT by pressing the mains switch at the back.
The APPLICATIONS window appears. The first four programs in the application list are already pre-defined with default values.



- 2 Press SYSTEM to access the SYSTEM window and set the language of your choice by accessing the LANGUAGE menu.
In the SYSTEM window you can also set the display contrast, the date and the time, and an access code, if required.

4.3.2 Access code

The DOSE IT system and parameter settings can be protected by a code, if activated (Access code required ON). Before any parameter changes can be performed, an access code must be entered. A standard user can only run defined programs.

Select the ACCESS CODE window and enter the default access code “3473” by typing the appropriate key until the correct number appears on the screen. Press the back-key.

ACCESS CODE	
Access code required:	OFF
Access code:	3473
	CHANGE

- 1 Select the line “Access code required” and press CHANGE. Use the arrow keys to select “Access code required: ON” and press SAVE.
- 2 For changing the Access code select this line and press SAVE.

←	Access code:	
	3473	
1 2 3	4 5 6	7 8 9 0

- 3 Change the default access code to your personal code, if required. Enter the numbers by the arrow keys and select the digit with the function keys (←, →). Keep this code in a save place. Press SAVE.

4.3.3 Setting the dispensing parameters

PARAMETER	
Name:	MV PRG1
Type:	DISPENSE
Tubing-ID:	4.0mm
Volume:	10.0ml
START	CHANGE

- 1 Press the back-key to exit the SYSTEM window and to return to the APPLICATION window. Press PARAMETER to configure the program that is backlit.
- 2 Use the arrow keys to select the listed parameters and press CHANGE to set different values.

All parameters and their values are described in [“4.2.2 Program parameters”](#) on page 13.



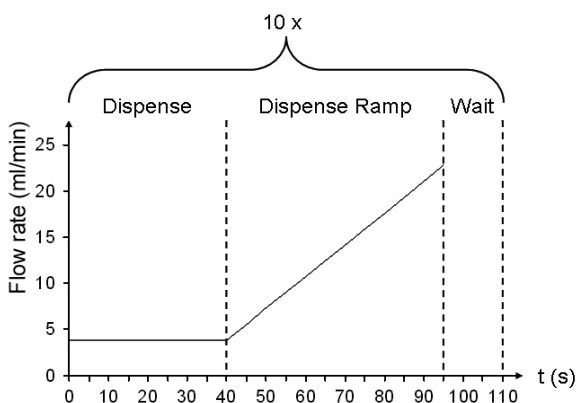
NOTE

The DOSE IT has a memory capacity for storing 20 programs, all of which can be configured according to your specific applications.

4.3.4 Defining a customized program

The following example of a customized program can be used to fill 10 density gradient tubes. The careful and continuous dispensing without pauses prevents stirring up of layers.

Parameter	Value	Description of settings
Name	Density gradient	Allows to name your customized program.
Tubing-ID	3.0 mm	Define the inner diameter of the tubing inserted.
Dispense Direction	⤵/CW	Define the rotational direction of the rotor, e. g. clockwise.
No. of heads	1	Define the number of pump heads installed.
Step 1:	Dispense	Volume: 2.5 ml Repetitions: 1 Pause: manual (here without pause) Flow rate: 3.8 ml/min (i.e. speed: 4.0 rpm).
Step 2:	Dispense Ramp	Volume: 12.5 ml Repetitions: 1 Pause: manual (here without pause) Start flow: 3.8 ml/min (i.e. speed: 4.0 rpm) End flow: 22.8 ml/min (i.e. speed: 24.0 rpm).
Step 3:	Wait	Manual, i.e. the next cycle starting with step 1 has to be activated manually by pressing NEXT STEP.
Step 4:	Cycles	Number of cycles: 10 Goto step: 1.



The figure depicts the customized program described above.

4.4 Calibrating the pump



NOTE

The calibration procedure tunes the pump to deliver a precise output. The output of the pump is determined by the tubing's inner diameter; therefore a calibration is necessary for tubing with different inner diameter. Also calibrate the pump after changing the fluid to be pumped. It is recommended to calibrate the pump at regular intervals to maintain its precision.

MY PRG1	Ø4.0mm	
Dispense:	20 x 10.0ml	
Flow rate:	500.0ml/min	
Dispensing time:	1.2s	
Pause:	1.0s	
START	CALIBRATE	PRIME

- 1 Select a program and press START to access the program window. Put the tubing end with the aspiration tube in the liquid that has to be dispensed and press PRIME to fill the tubing with liquid.

CALIBRATION	Ø4.0mm
Calibration volume:	10.0ml
► Press DOSING for one dosage	
Number of doses:	0
DOSING	CONTINUE

- 2 Press the CALIBRATE button to enter the calibration dialogue window and DOSING to obtain a calibration sample. To reduce the measurement error it is possible to obtain up to ten such dosing samples (by repeatedly pressing the DOSING button).

CALIBRATION	Ø4.0mm
Calibration volume:	10.00ml
Nominal volume:	10.00ml
► Measured volume:	10.00ml
CONTINUE	CHANGE

- 3 After one or more calibration samples have been dispensed and measured, press the CONTINUE button and enter the measured volume (CHANGE button). To end the calibration procedure press CONTINUE.



IMPORTANT NOTE

A calibration value is stored for each of the 20 programs that can be saved. Therefore a calibration for each of the 20 programs is necessary, even when the tubing inner diameter remains the same. Within each program, only the last calibration value is saved, hence calibrate whenever there is a change in the viscosity of the pumped liquid, of the flow rate or of the tubing inner diameter.

Each step within a customized program has to be calibrated separately.

4.5 Performing the dispensing process

MY PRG1	04.0mm
Dispense:	20 x 10.0ml
Flow rate:	500.0ml/min
Dispensing time:	1.2s
Pause:	1.0s
START	CALIBRATE PRIME

- 1 In the APPLICATION window select a program and press START to access the program window. Press PRIME to fill the tubing with liquid and calibrate if necessary.

To begin dispensing, press START.

MY PRG1	04.0mm
Dispense of 20 x 10.0ml	
Repetitions: 3	
PAUSE	STOP

- 2 While dispensing, there are two possibilities to interrupt the process:

- PAUSE – the process is interrupted after completing the dispensing of the current dose.
- STOP – the process is interrupted immediately.

After interruption, the process can either be continued, aborted or parameters can be changed (the latter is not possible in the customize mode). If parameters have been changed, the user is asked to either save or discard the changes before exiting the program.

The completion of the program is announced by a beep and a message appears on the screen.

4.6 Working in PUMP mode

CHANGE PARAMETER		
Type:		
PUMP		
←	→	SAVE

To continuously pump a liquid instead of dispensing it, change the TYPE-parameter from DISPENSE to PUMP. To set the other parameters follow the instructions described above and in [“4.2.2 Program parameters”](#) on [page 13](#).

The calibration procedure in PUMP mode works as described above. Note that the calibration volume is indicated in the calibration window and that it varies depending on the tubing size and on the selected flow rate.

To use a pumping program, follow the instructions on the screen. Note that you can change the flow rate without interrupting the pumping by using the arrow keys (not possible within customized mode).

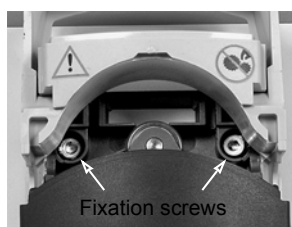
4.7 Using the double pumphead configuration (optional)

The DOSE IT can be used with a double pumphead and the corresponding 8 mm ID tubing set (171088) when it is necessary to quickly dispense large volumes. The double pumphead configuration also reduces flow pulsation.

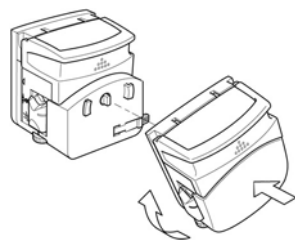
**WARNING**

Always switch off the DOSE IT when assembling the double pumphead configuration.

Be aware of the sharp edges of the pumpheads when assembling them and when opening and closing the first pumphead for tubing insertion.



- 1 Open the pumphead to gain access to the two fixation screws and unscrew the pumphead from the housing using an Allen key #3.
- 2 Fix the extension pumphead (171090) to the housing using the screws obtained after removing the original pumphead.
- 3 Assemble the two pumpheads by locking the original pumphead onto the extension pumphead. When turning the original pumphead in place, ensure that the lock mechanism engages with an audible click.



Important: The rollers of the two pumpheads must be out of phase in order to avoid excessive strain on the motor (torque limits) and to obtain a reduction in flow pulsation.

When placing the tubing set (171088) into the double pumphead assembly, gently stretch the tubing so that inside the pumphead the tubing is taut (avoid loading the tubing in a loose, slackened way).

**WARNING**

Visually inspect the tubing set Y-pieces for the absence of cracks in the glass. Cracked Y-pieces may burst during operation and shall not be used.

In the affected programs, change the parameter “No. of heads” before using the double pumphead configuration.

4.8 Process documentation (optional)

To document the dispensing and pumping performed with a DOSE IT, relevant data can be recorded either on paper or in an electronic text file. The following data – exemplified by a dispensing program – are recorded:

- At the start of the process

```
=====
DOSE-IT (SN:00000000)

***Start dispense
Date/time:                02.11.2006/18:01

***Program settings
Name:                      MY PRG1
Tubing-ID:                 4.0mm
Volume:                   10.0ml
Repetitions:              20
Pause:                    1.0s
Flow rate:                 500.0ml/min
Direction:                 CW
No. of heads:             1
=====
```

- After calibration

```
=====
DOSE-IT (SN:00000000)
***Calibration done
Date/time:                02.11.2006/18:05

Tubing-ID:                4.0mm
=====
```

- At the end of the process

```
=====
DOSE-IT (SN:00000000)

***End dispense
Date/time:                02.11.2006/18:02

Repetitions:              20

***Program settings
Name:                      MY PRG1
Tubing-ID:                 4.0mm
Volume:                   12.0ml
Pause:                    1.0s
Flow rate:                 500.0ml/min
Direction:                 CW
No. of heads:             1
=====
```

← Note: This parameter
has been changed
during the process.

Printing on paper occurs automatically when a label printer is connected to the RS-232 (2) port of the DOSE IT. INTEGRA Biosciences recommends the EPSON TM-U220 matrix printer and your local INTEGRA dealer can assist you to connect this printer.

To generate an electronic text file, connect a PC to the RS-232 (2) port of the DOSE IT via a crossed female-female RS-232 cable and record the process data using the HyperTerminal software installed on your PC.

RS-232 (2) interface settings:

Transmission speed:..... 9600 bps

Databits:..... 8 bits

Parity:..... No

Stopbits:..... 1

Handshake:..... Xon/Xoff

5 Maintenance

5.1 Cleaning and servicing

**WARNING**

Always switch off the DOSE IT and disconnect it from the mains when carrying out maintenance work.

If the DOSE IT gets soiled, it can be cleaned with a cloth moistened with soapy water or with a 70% solution of Ethanol.

The moving parts of the pumphead should be checked from time to time for freedom of movement. Rollers should be lubricated occasionally with Teflon lubricating oil. The rotor shaft runs on sealed bearings which do not require lubrication.

Regular servicing of the DOSE IT by a qualified partner of INTEGRA Biosciences is recommended.

5.2 Decontamination

The aspiration/dispensing tubes, tube collars and silicone tubing contacting the liquid can be autoclaved at 121°C, 1 bar overpressure for at least 20 minutes. Silicone may become brittle after extensive autoclaving. Replace the tubings if they are damaged.

If the surface of the DOSE IT has been in contact with biohazardous material, it must be decontaminated in accordance to good laboratory practice. Do not spray directly on the instrument but use a lint-free cloth, lightly soaked with a disinfectant and wipe dry directly after decontamination. Never use acetone or other solvents! Follow the instructions provided by the disinfectant manufacturer.

5.3 Leak Test

It is recommended to perform a leak test about every 3 months or when dosing errors occur. A leak test will reveal worn or defect tubing or pumphead.

Procedure:

- 1) Load a silicone tubing in the pumphead.
- 2) Position the dispensing end of the tubing below the pumphead height into a container.
- 3) Put the aspiration tube in liquid and press PRIME to fill the tubing completely without any bubbles.
- 4) Lift the aspirating end of the tubing as high as possible above the pumphead. The system is tight, if the liquid level do not decrease and no liquid flow out of the lower dispensing end.

If the system is leaking, you have to check whether the tubing or the pumphead is worn:

Repeat the leak test with a new tubing (only use original INTEGRA tubings, see [“7.1 Consumables”](#) on page 26).

- If system is tight, the tubing was worn and the problem is solved.
- If the system is still leaking, the pumphead is worn (e.g. lever loose, mechanical play) and need to be replaced, see [“7.2 Spare part”](#) on page 27.

**NOTE**

Work around until a new pumphead is available: Put a rubber band (5 to 8 mm wide) around the pumphead to help holding it fully closed during operation. Repeat the leak test to confirm that the work around works.

5.4 Disposal



The DOSE IT is labeled with the “crossed-out bin” symbol to indicate that this equipment must not be disposed of with unsorted municipal waste. Instead, it is your responsibility to correctly dispose of your waste equipment by handing it over to an authorized facility for separate collection and recycling. It is also your responsibility to decontaminate the equipment in case of biological, chemical, and/or radiological contamination so as to protect from

health hazards the persons involved in the disposal and recycling of equipment.

For more information about where you can drop off your waste equipment for recycling, please contact your local dealer from whom you originally purchased the product or your local council.

By doing so, you will help conserve natural resources and you will ensure that your waste equipment is recycled in a manner that protects human health and the environment. Thank you!

6 Technical data

6.1 Environmental conditions

	Operation
Temperature range	5–35 °C
Humidity range	Max. rel. humidity 80 % for temperatures up to 31 °C, decreasing linearly to 50 % rel. humidity at 40 °C.
Altitude range	< 2000 m

6.2 Specifications

Dose volume	0.01 ml–9999 ml
Flow rate	0.6 ml/min–5 l/min
Tubing inner diameter	1–8 mm
Tubing wall thickness	1.5 mm
Materials	Housing: Polyurethane Base plate, rear panel: stainless steel Membrane keypad: Polyester Tubing: Silicone Pump head body rear: Polypropylene Pump head body front: IXEF Pump head tube clamps: Nylon Pump head roller: Nylatron
Dimensions (H x W x D)	203 x 210 x 191 mm
Weight	3.5 kg
Interfaces	2 x RS-232
Input voltage	100–240 VAC, 50/60 Hz

6.3 Current consumption depending on input voltage

Input voltage	Current consumption		
	Standby	Operation with 1 or 2 pump heads	Pause mode
100 VAC	45 mA	260 mA	280 mA
230 VAC	15 mA	120 mA	130 mA

7 Accessories and consumables

There are a number of accessories and options that adapt the DOSE IT to particular application requirements and working environments.

7.1 Consumables

7.1.1 Silicone tubing

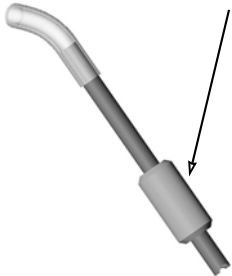
	ID ¹ (mm)	Part No.
length 2.5 m, autoclavable, wall thickness 1.5 mm.	1	171 021
	2	171 022
	3	171 023
	4	171 024
	6	171 026
	8	171 028 ²
length 25 m, (bulk roll), autoclavable, wall thickness 1.5 mm.	1	171 031
	2	171 032
	3	171 033
	4	171 034
	6	171 036
	8	171 038 ^b

-
1. ID = inner diameter
 2. only for pumping applications


7.1.2 Aspiration/dispensing tubes

	ID (mm)	Part No.
Aspiration/dispensing tube, length 10 cm, stainless steel, one end dented.	1	171 051
	2	171 052
	3	171 053
	4	171 054
	6	171 056
	8	171 058
Aspiration/dispensing tube, length 35 cm, stainless steel, one end dented.	4	171 064
	6	171 066
	8	171 068







Tube collars

	ID (mm)	Part No.
 <p>Used as weight for the aspiration tube or as clamp spacer for the dispensing tube. See also “4.1.3 Connecting the dispensing and aspiration tubes” on page 12.</p>	1–3	171 071
	4–6	171 074

7.2 Spare part

	Part No.
 <p>Pumphead 313D</p>	103 520

7.3 Accessories

	Part No.
 Foot switch.	143 200
 Benchtop switch.	171 081
 Retort rod with filling arm.	171 091
 Extension pumphead for double pumphead assembly. See also “4.7 Using the double pumphead configuration (optional)” on page 20.	171 090
 Silicone tubing set for double pumphead (ID 8 mm), total length 3 m, Y-pieces made of glass, autoclavable.	171 088
 Pipette-tubing connector, for connecting pipettes to 2-6 mm inner diameter silicone tubing, autoclavable, 5-pack	171 077