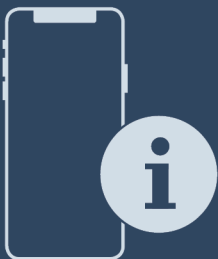


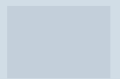


User Guide

Quality, Design and Innovation





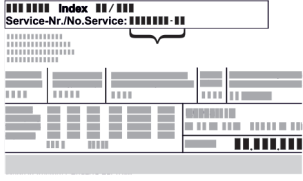




home.liebherr.com/fridge-manuals



LIEBHERR

Contents

1	The appliance at a glance.....	3	6	Equipment.....	34
1.1	Included in delivery.....	3	6.1	Safety lock.....	34
1.2	Overview of appliance and equipment.....	3	7	Maintenance.....	35
1.3	Special features.....	3	7.1	Defrosting the appliance.....	35
1.4	Range of appliance use.....	3	7.2	Cleaning the appliance.....	35
1.5	Sound emission of the appliance.....	4	8	Customer support.....	36
1.6	Conformity.....	4	8.1	Technical data.....	36
1.7	SVHC substances according to REACH regulation.....	4	8.2	Technical malfunction.....	36
1.8	EPREL database.....	4	8.3	Customer Service.....	37
2	General safety instructions.....	4	8.4	Type plate.....	37
3	Start-up.....	6	9	Shutting down.....	37
3.1	Setup conditions.....	6	10	Disposal.....	37
3.2	Appliance dimensions.....	6	10.1	Preparing appliance for disposal.....	37
3.3	Transporting the appliance.....	7	10.2	Disposing of the appliance in an environmentally friendly manner.....	37
3.4	Unpacking the appliance.....	7	11	Additional information.....	38
3.5	Removing the transport lock.....	7	The manufacturer is constantly working to improve all types and models. Therefore, please be aware that we reserve the right to make changes to the shape, equipment and technology.		
3.6	Installing the door handle.....	7			
3.7	Setting up the appliance.....	7			
3.8	Leveling out the appliance.....	7			
3.9	Setting up multiple appliances.....	8			
3.10	After setup.....	8			
3.11	Disposal of packaging.....	8			
3.12	Reversing the door opening direction.....	8			
3.13	Aligning the door.....	18			
3.14	Connecting the appliance.....	19			
3.15	Switching on the appliance (first use).....	19			
4	Storage.....	20			
4.1	Information regarding storing items.....	20			
4.2	Storage times.....	20			
5	Use.....	20			
5.1	Control and display elements.....	20			
5.1.1	Status display.....	20			
5.1.2	Display symbols.....	20			
5.1.3	Acoustic signals.....	21			
5.2	Navigation.....	21			
5.2.1	Navigating with buttons.....	21			
5.2.2	Settings menu.....	21			
5.2.3	Customer menu.....	21			
5.2.4	Setting values.....	22			
5.2.5	General rules.....	22			
5.3	Appliance functions.....	22			
5.3.1	Overview of functions.....	22			
5.3.2	Switching appliance on and off.....	23			
5.3.3	Switching temperature zones off and on.....	23			
5.3.4	Temperature.....	24			
5.3.5	Lighting.....	24			
5.3.6	Lighting intensity.....	25			
5.3.7	SuperCool.....	25			
5.3.8	SuperFrost.....	25			
5.3.9	HumiditySelect.....	26			
5.3.10	Display lock.....	26			
5.3.11	Maintenance interval reminder.....	27			
5.3.12	Language.....	27			
5.3.13	Temperature unit.....	27			
5.3.14	Display brightness.....	27			
5.3.15	WiFi connection.....	28			
5.3.16	LAN connection.....	29			
5.3.17	Info.....	29			
5.3.18	Operating hours.....	30			
5.3.19	Software.....	30			
5.3.20	Defrosting.....	30			
5.3.21	Door alarm.....	30			
5.3.22	Light alarm.....	31			
5.3.23	Demo mode.....	31			
5.3.24	Factory reset.....	31			
5.4	Messages.....	32			
5.4.1	Warnings.....	32			
5.4.2	Reminders.....	34			

Symbol	Explanation
	Read instructions Please read the information in these instructions carefully to understand all of the benefits of your new appliance.
	Full instructions on the internet You can find detailed instructions on the internet using the QR code on the front of these instruction or by entering the service number at home.liebherr.com/fridge-manuals . The service number can be found on the serial tag:  <i>Fig. Example illustration</i>
	Check appliance Check all parts for transport damage. If you have any complaints, please contact your agent or customer service.
	Differences These instructions apply to a range of models, so there may be differences. Sections that apply to certain models only are indicated by an asterisk (*).
	Instructions and results Instructions are marked with a ▶. Results are marked with a ▷.
	Videos Videos about the appliances are available on the YouTube channel of Liebherr-Hausgeräte.

These operating instructions apply to:

- FCFCvg 4002

- FCFCvg 4032
- FCFvg 4002

1 The appliance at a glance

1.1 Included in delivery

Check all parts for transport damage. If you have any issues, please contact your dealer or Customer Service. (see 8.3 Customer Service)

The delivery contains the following parts:

- Freestanding appliance
- Equipment *
- Installation materials *
- Operating instructions
- Service brochure
- Quality certificate *
- Power cable

1.2 Overview of appliance and equipment

FCFCvg 4002
FCFvg 4002

FCFCvg 4032

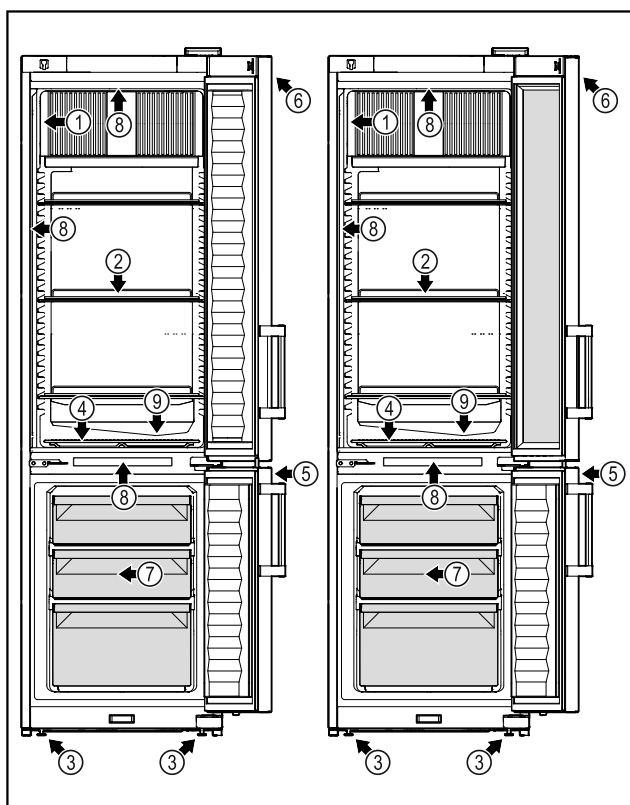


Fig. 1 Example illustration

- | | |
|--------------------|--|
| (1) Type plate | (6) Control elements and temperature display |
| (2) Grid shelves | (7) Freezer drawer |
| (3) Adjusting feet | (8) Interior lighting |
| (4) Floor grating | (9) Defrost drain |
| (5) Lock | |

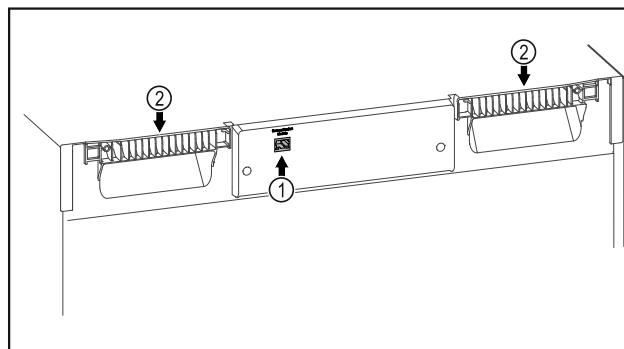


Fig. 2 Example illustration

- (1) LAN interface (2) Carrying aid

1.3 Special features

Note

Accessories are available from Customer Service (see 8.3 Customer Service) and the Liebherr-Hausgeräte store at home.liebherr.com/shop/de/deu/zubehor.html.

SmartModule

The appliance can be equipped with a SmartModule.

This is a WiFi and LAN interface for the connection between the appliance and an external documentation and alarm system such as Liebherr SmartMonitoring.

SmartMonitoring is not available in all countries. Check availability via the QR code (see 5.3.15 WiFi connection) by entering your model.

1.4 Range of appliance use

Intended use

This refrigerator/freezer is suitable for the professional storage of chilled/frozen food-stuffs. This equipment is not intended for the display or removal of food by customers.

The appliance is designed for use in enclosed spaces.

All other types of uses are not permitted.

Foreseeable misuse

Do not use the appliance for the following purposes:

- Storage and cooling of:
 - Chemically unstable, flammable or caustic substances
 - Medicines, blood plasma, laboratory preparations or similar substances and products covered by the 2007/47/EC Medical Devices Directive
- Use in areas with risk of explosion
- Outdoor use or in areas where it is exposed to splash water or damp conditions

Any misuse of the appliance may result in damage to or spoilage of stored goods.

Climate classes

The climate class for your appliance is printed on the type plate.

General safety instructions

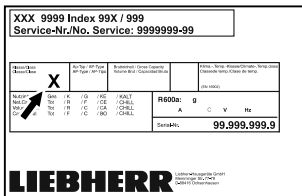


Fig. 3 Type plate

(X) The climate class indicates the ambient conditions in which the appliance can be operated safely.

Climate class (X)	Max. room temperature	Max. rel. humidity
3	+25 °C	60 %
4	+30 °C	55 %
5	+40 °C	40 %
7	+35 °C	75 %

Note

The minimum permitted room temperature at the setup location is +10 °C.

Slight condensation may form on the glass door (depending on the equipment) and on the side walls if the boundary conditions are exceeded.

Recommended temperature setting:	
Temperature class (Z)	Temperature setting
L1	-18 °C
M1	+5 °C

1.5 Sound emission of the appliance

The A-weighted emission sound pressure level during operation of the appliance is below 70 dB(A) (sound power rel.1 pW).

1.6 Conformity

The refrigerant circuit has been tested for leaks.

The full text of the EU Declaration of Conformity is available on the following website: www.liebherr.com

1.7 SVHC substances according to REACH regulation

You can check whether your appliance contains SVHC substances according to REACH regulation at the following link: home.liebherr.com/de/deu/de/liebherr-erleben/nachhaltigkeit/umwelt/scip/scip.html

1.8 EPREL database

Details about energy labeling and eco-design requirements will be available on the European product database (EPREL) from March 1, 2021. You can access the product database at the following link: <https://eprel.ec.europa.eu/>. You will be

asked to enter the model ID. You can find the model ID on the type plate.

2 General safety instructions

Please keep these operating instructions in a safe place so you can refer back to them at any time.

If you pass the appliance on, please hand these operating instructions to the new owner.

Read these operating instructions before use in order to use the appliance safely and correctly. Follow the instructions, safety instructions and warning messages included at all times. They are important for ensuring you can operate and install the appliance safely and without any problems.

Dangers for the user:

- This appliance can be used by children aged 8 and above and people with impaired physical, sensory or mental abilities or with a lack of experience and knowledge provided that they are supervised or have received instruction regarding the safe use of the appliance and potential hazards. Children must not play with the appliance. Cleaning and user maintenance must not be performed by children unless they are supervised.
- The socket must be easily accessible so that the appliance can be disconnected quickly from the electricity in an emergency. It must not be located in the area behind the appliance.
- Always hold the plug of the cable when disconnecting the appliance from the power supply. Do not pull on the cable.
- Remove the plug or disconnect via the fuse if there is a malfunction.
- **WARNING:** Do not damage the power cable. Do not operate the appliance with a faulty power cable.
- **WARNING:** Multi-sockets/power distributors and other electronic appliances (such as halogen transformers) may not be placed and operated behind appliances.
- **WARNING:** Do not block the ventilation openings in the appliance housing or in the installation housing.
- Repairs and work on the appliance may only be carried out by Customer Service or

other specifically trained qualified personnel.

- Always follow the instructions when assembling, connecting and disposing of the appliance.

Risk of fire:

- The refrigerant contained within the appliance (specifications on the type plate) is environmentally friendly, but flammable. Leaking refrigerant can ignite.
 - **WARNING:** Do not damage the refrigerant circuit.
 - Do not handle ignition sources inside the appliance.
 - **WARNING:** Do not use electrical appliances inside the food storage compartments of the appliance, unless they are of the type recommended by the manufacturer.
 - If refrigerant leaks: Remove naked flames or ignition sources located near the area of the leak. Ventilate the room well. Contact Customer Service.
- Do not operate the appliance near explosive gases.
- Do not store or use gasoline or other flammable gases and liquids near the appliance.
- Do not store explosive substances such as aerosol cans with a flammable propellant in this appliance. You can recognize such spray cans by the printed list of contents or by a flame symbol. Any leaking gases can be ignited by electrical components.
- Keep lit candles, lamps and other objects with naked flames away from the appliance so they do not cause a fire.
- Alcoholic beverages or other containers holding alcohol must always be tightly sealed for storage purposes. Any leaking alcohol can be ignited by electrical components.

Risk of falling or toppling over:

- Do not stand on the base, drawers, doors etc. or use them as improper supports.

Danger of frostbite, feeling of numbness and pain:

- Avoid prolonged skin contact with cold surfaces or chilled/frozen food or take protective measures, e.g. wear gloves.

Risk of injury and damage:

- **WARNING:** Do not use mechanical devices or other means to accelerate the defrosting

process, other than those recommended by the manufacturer.

- **WARNING:** Risk of injury due to electric shock! There are live electrical parts under the cover.

Have the LED interior lighting replaced or repaired only by Customer Service or other suitably trained professionals.

- **NOTICE:** The appliance must only be operated using original manufacturer accessories or accessories from other providers approved by the manufacturer. The user bears the risk of using accessories which are not approved.

Risk of crushing:

- Do not reach into the hinge when opening and closing the door. Fingers may get trapped.

Specialist personnel qualifications:

Specialist personnel are persons who, on account of their specialist training, knowledge and experience as well as their knowledge of the relevant standards, are able to assess and perform the work assigned to them and identify potential hazards. They must have training, instruction, and authorization to work on the appliance.

Symbols on the device:



The symbol may be located on the compressor. It refers to the oil in the compressor and refers to the following danger: **Can be fatal if swallowed or inhaled.** This notice only applies for recycling. There is no danger during normal operation.



WARNING: Risk of fire / flammable materials. The symbol is located on the compressor and indicates the danger from flammable materials. Do not remove the label.



This label or a similar one may be located on the rear of the appliance. This label indicates that there are vacuum insulation panels (VIP) or perlite panels in the door and/or housing. This notice only applies for recycling. Do not remove the label.






WARNING: Cold surface! Only touch with suitable hand protection.

This or similar sticker may be on the appliance and indicates the danger of frostbite.

Observe the warning messages and other detailed information in the other sections:

Start-up

	DANGER	Indicates an immediately hazardous situation, which if not avoided, will result in death or serious injury.
	WARNING	Indicates a hazardous situation, which if not avoided, could result in death or serious injury.
	CAUTION	Indicates a hazardous situation, which if not avoided, could result in minor or moderate injury.
	NOTICE	Indicates a hazardous situation, which if not avoided, could result in damage to property.
	Note	Indicates useful advice and tips.

3 Start-up

3.1 Setup conditions



WARNING

Risk of fire due to moisture!

If live parts or the power cord get wet, this can cause a short circuit.

- ▶ The appliance is designed for use in enclosed spaces. Do not operate the appliance in open space or in damp areas or where there is spray.

3.1.1 Setup location



WARNING

Leaking refrigerant and oil!

Fire. The refrigerant contained within the appliance is environmentally friendly, but flammable. The oil contained within the appliance is flammable. Escaping refrigerant and oil can ignite if they are of high enough concentration and are exposed to an external heat source.

- ▶ Do not damage the pipelines of the coolant circuit and the compressor.

- Do not setup the appliance in direct sunlight, next to an oven, radiator or similar.
- The best place to set up the appliance is a dry and well ventilated room.
- If the appliance is set up in a very humid environment, condensation can form on the outside of the appliance. Always ensure sufficient airflow and ventilation in the setup location.
- The more refrigerant there is in the appliance, the larger the space it is installed in must be. If the space is too small, any leak may create a flammable mixture of gas and air. For every 8 g of refrigerant, the installation space must be at least 1 m³. Specifications on the refrigerant in the appliance can be found on the serial tag plate inside the appliance.
- The floor of the setup location must be horizontal and even.
- The setup location must be able to withstand the weight of the appliance plus the weight when stocked to maximum capacity. (see 8.1 Technical data)
- Use in hazardous areas is not permitted.

3.1.2 Electrical connection



WARNING

Danger of fire due to incorrect positioning!

If the power supply cable or plug touches the back of the appliance, the vibration can damage the power supply cable or the plug resulting in a short circuit.

- ▶ Make sure the power supply cable is not trapped under the appliance when you position the appliance.
- ▶ Install the appliance so that it does not touch any plugs or power cables.
- ▶ Do not connect any appliances to sockets in the area of the back of the appliance.
- ▶ Do **not** place and operate power strips/power distributors and other electronic devices (such as halogen transformers) at the back of the appliances.

3.2 Appliance dimensions

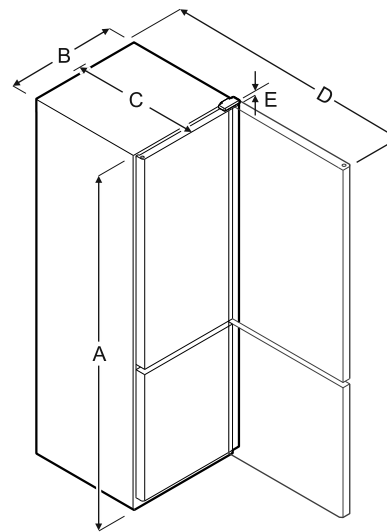


Fig. 4

Model	A	B	C	D	E
FCFCvg 4002	2044 mm	597 mm	654 mm	1203 mm	23 mm
FCFCvg 4032	2044 mm	597 mm	654 mm	1203 mm	23 mm
FCFvg 4002	2044 mm	597 mm	654 mm	1203 mm	23 mm

A = appliance height including feet/castors

B = appliance width without handle

C = appliance depth without handle

D = appliance depth with door open

E = hinge height

Model	Net capacity
FCFCvg 4002	(see 1.2 Overview of appliance and equipment) Type plate
FCFCvg 4032	
FCFvg 4002	

3.3 Transporting the appliance



WARNING

There is a risk of injury from pieces of broken glass.* When transporting at an altitude of more than 1500 m, the glass panes of the door may break. This can result in sharp-edged fragments, which can cause serious injuries.

► Adopt suitable protective measures.

- On initial setup: Transport the appliance in its packaging.
- When transporting after initial setup (e.g. relocation): Transport the appliance unloaded.
- Transport the appliance upright.
- Use two people when transporting the appliance.

3.4 Unpacking the appliance

- Check the appliance and the packaging for transport damage. Contact the supplier immediately if you suspect any damage. Do not connect the appliance to the power supply.
- Remove all packaging materials from the rear or the side walls of the fridge that may prevent proper installation or prevent air flow and ventilation.

3.5 Removing the transport lock

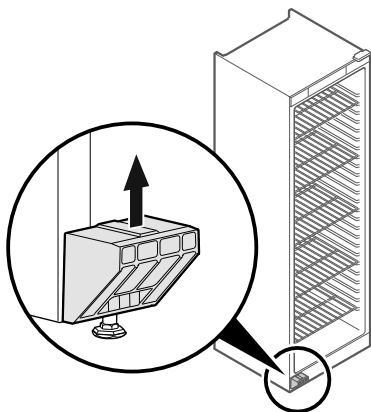


Fig. 5

- Remove transport lock in upwards direction.
- ▷ Base holder remains on the appliance.

3.6 Installing the door handle

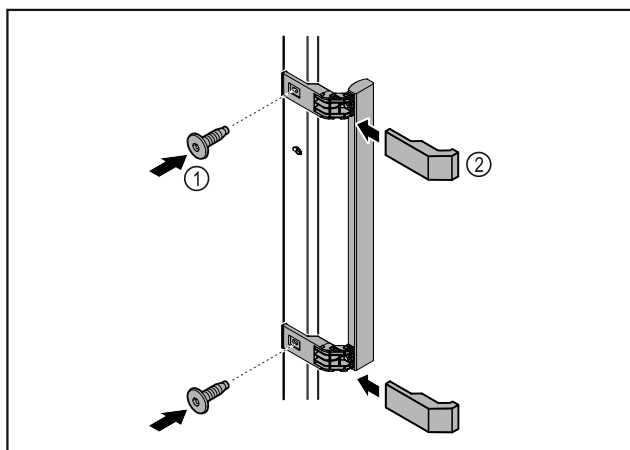


Fig. 6

- Attach handle from accessory kit to the door using supplied screws Fig. 6 (1).
- Put on cover Fig. 6 (2).

3.7 Setting up the appliance



CAUTION

Risk of injury and damage.

- Use 2 people to set up the appliance.



CAUTION

Risk of injury and damage.

The door can strike against the wall and become damaged as a result. In the case of glass doors, the damaged glass can cause injuries.

- Protect the door from striking against the wall. Attach a door stopper, e.g. felt stopper, to the wall.

- Connect all necessary components (e.g. power cable) to the back of the appliance and route to the side.

Note

Cables can be damaged.

- Do not crush the cable when pushing the appliance back.

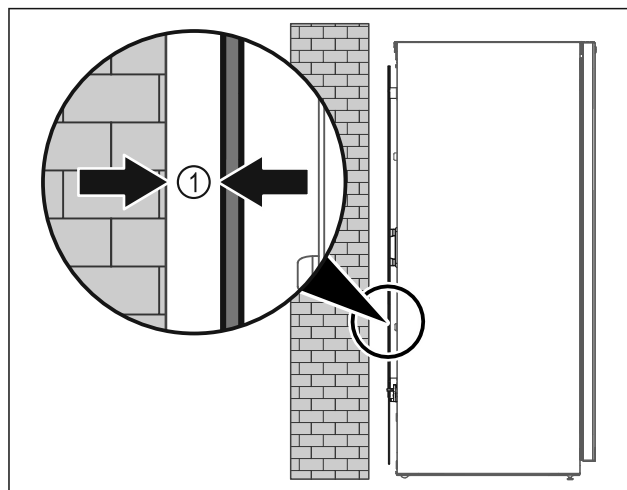


Fig. 7

- Set up the appliance either free-standing or directly against a wall at a minimum distance of 5 mm Fig. 7 (1).

3.8 Leveling out the appliance

NOTICE

Appliance body can become deformed and door will not close.

- Align appliance horizontally and vertically.
- Compensate for uneven floors using adjustable feet.

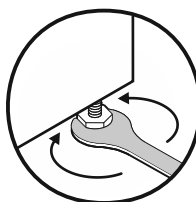


WARNING

Incorrect height adjustment of the adjustable foot!

Severe or fatal injuries. Incorrect height adjustment can cause the bottom part of the adjustable foot to come loose and the appliance to tip over.

- Do not unscrew the adjustable foot too far.



Start-up

Fig. 8

Raising appliance:

- ▶ Turn adjustable foot clockwise.

Lowering appliance:

- ▶ Turn adjustable foot counterclockwise.

3.9 Setting up multiple appliances

NOTICE

Risk of damage due to condensation between the side walls.

- ▶ Do not set up the appliance directly next to another refrigeration appliance.
- ▶ Set up appliances with a space of 3 cm between appliances.
- ▶ Only set up multiple appliances up to temperatures of 35 °C and 65 % humidity next to one another.
- ▶ At higher levels of humidity, increase the space between appliances.

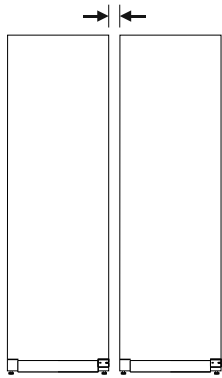


Fig. 9 Side-by-side set up

Note

A side-by-side kit is available as an accessory via Liebherr Customer Service. (see 8.3 Customer Service)

3.10 After setup

- ▶ Peel off the protective films. *
- ▶ Clean the appliance. (see 7.2 Cleaning the appliance)
- ▶ If necessary: Disinfect the appliance.
- ▶ Keep the invoice so you have the appliance and dealer information available if needed.

3.11 Disposal of packaging



WARNING

Danger of suffocation from packaging materials and films!

- ▶ Do not allow children to play with packaging materials.

The packaging is made from recyclable materials:

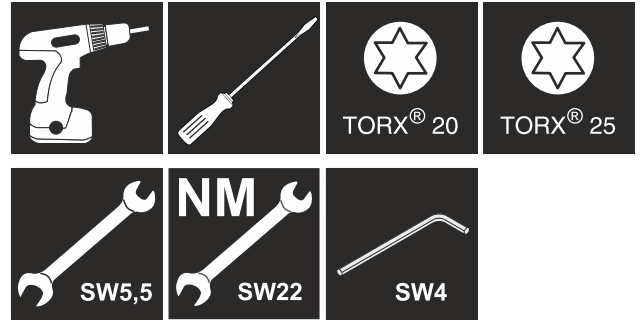
- Corrugated card/cardboard
- Parts made of foamed polystyrene
- Films and bags from polyethylene
- Packing bands from polypropylene
- Wood frame nailed together with a polyethylene window*

- ▶ Take the packaging material to an official collection point.



3.12 Reversing the door opening direction

Tools



WARNING

Risk of injury if the door is not reversed correctly!

- ▶ The door may only be reversed by qualified personnel.



WARNING

Risk of injury and material damage due to heavy door!

- ▶ Only perform the conversion if you can carry a weight of 25 kg.
- ▶ Always have someone help you carry out the conversion.

NOTICE

Live parts!

Damage to electrical components.

- ▶ Disconnect the power plug before reversing the door.

- ▶ Open the door.

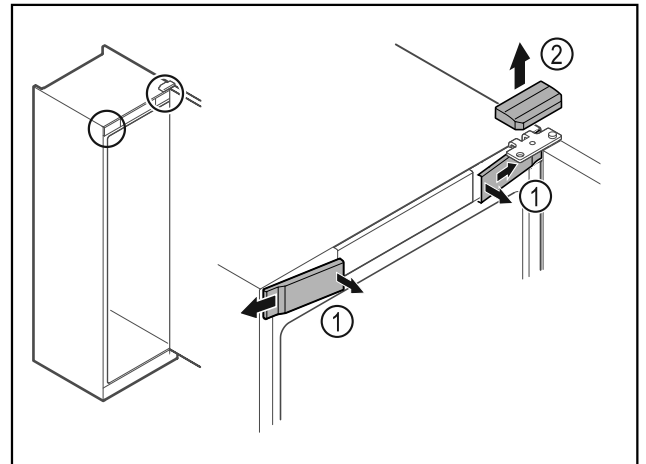


Fig. 10

- ▶ Unlatch the front covers Fig. 10 (1) on the inside and remove them sideways.
- ▶ Lift off the upper cover Fig. 10 (2).

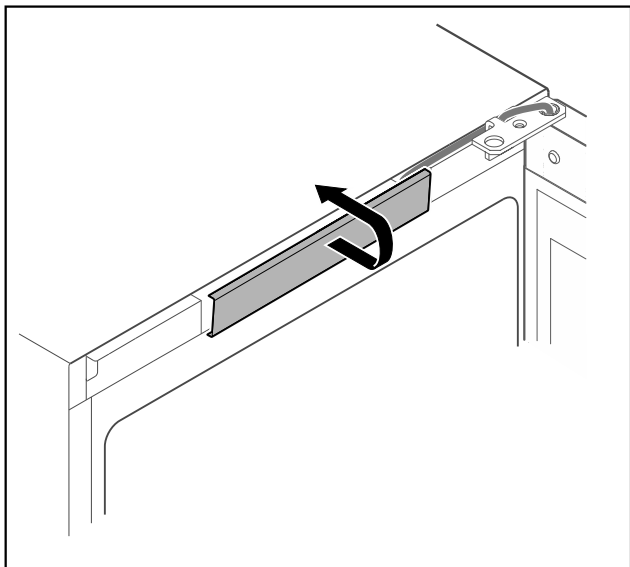


Fig. 11

- Unlatch the middle cover and remove it.

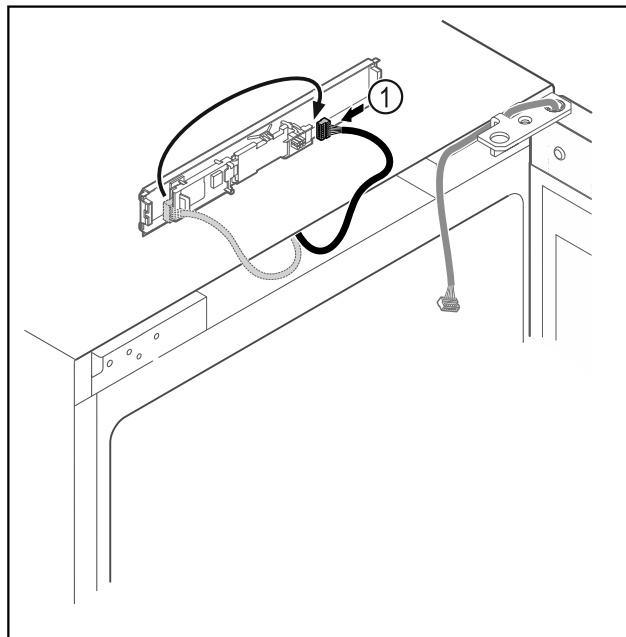


Fig. 13

- Connect the plug Fig. 13 (1) to the circuit board.

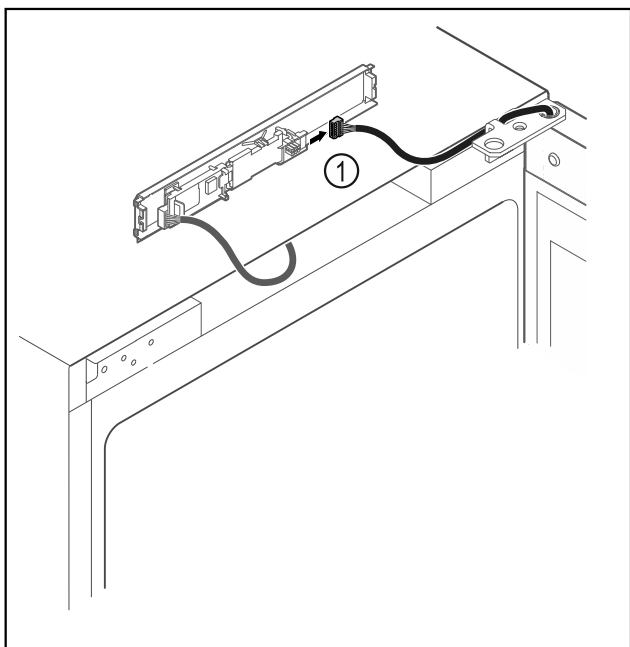


Fig. 12

- Disconnect the plug Fig. 12 (1) from the circuit board.

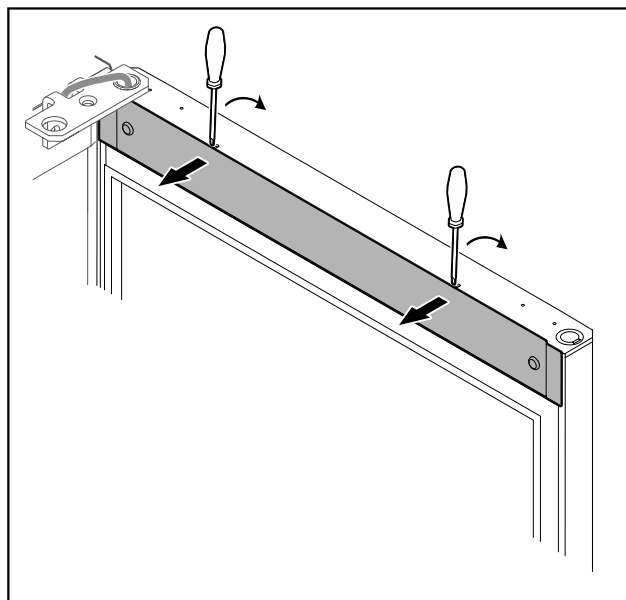


Fig. 14

- Unlatch the cover with a small screwdriver and take it off.

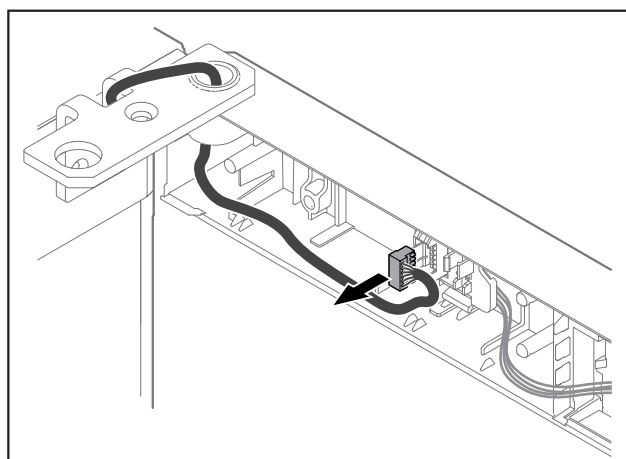


Fig. 15

Start-up

- ▶ Remove the plug from the plug holder.

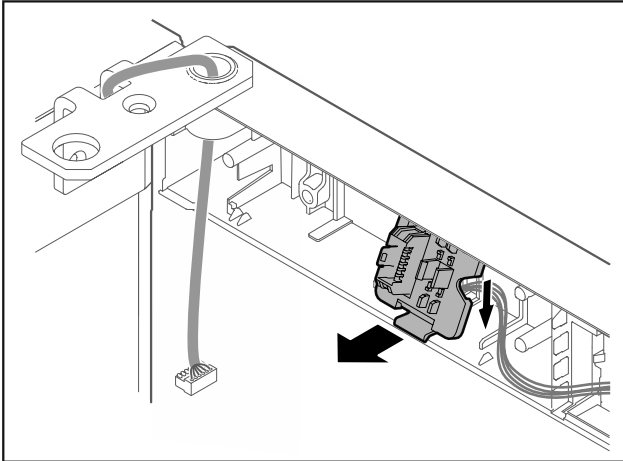


Fig. 16 The installation position of the plug holder can be rotated by 180°.

- ▶ Disengage the plug holder.

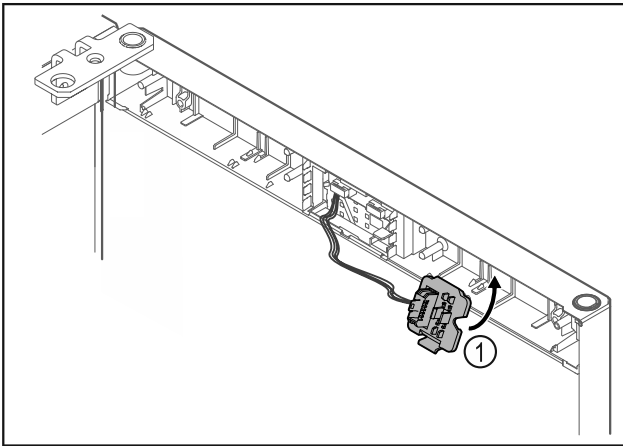


Fig. 17

- ▶ Snap in the plug holder Fig. 17 (1) on the opposite side.

NOTICE

Risk of injury if the door tips out!

- ▶ Hold the door.

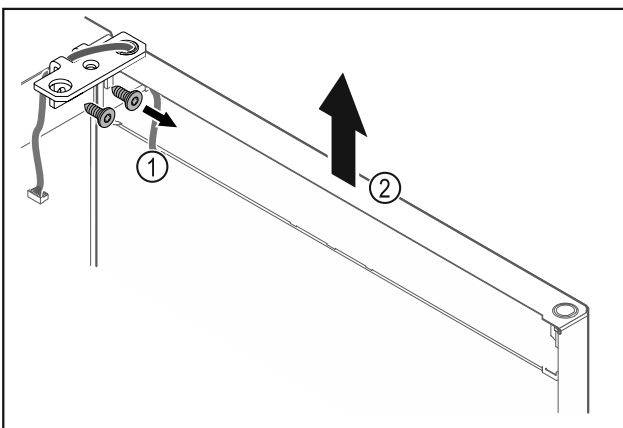


Fig. 18

- ▶ Unscrew the hinge Fig. 18 (1).
- ▶ Lift the door with the hinge straight up by Fig. 18 (2) roughly 200 mm and take it off.
- ▶ Carefully place the door on a soft surface.

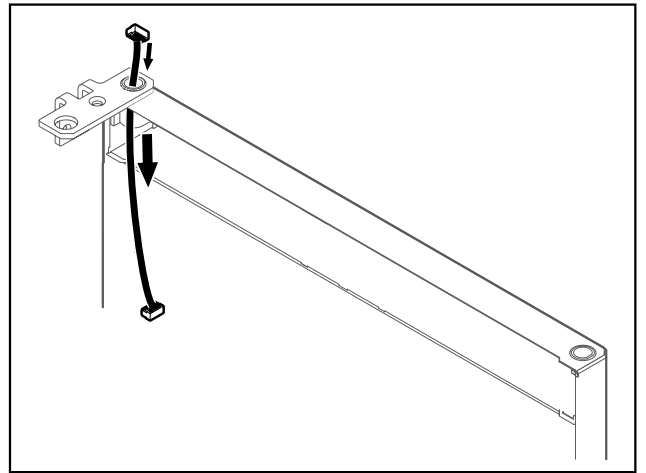


Fig. 19

- ▶ Carefully pull out the cable.

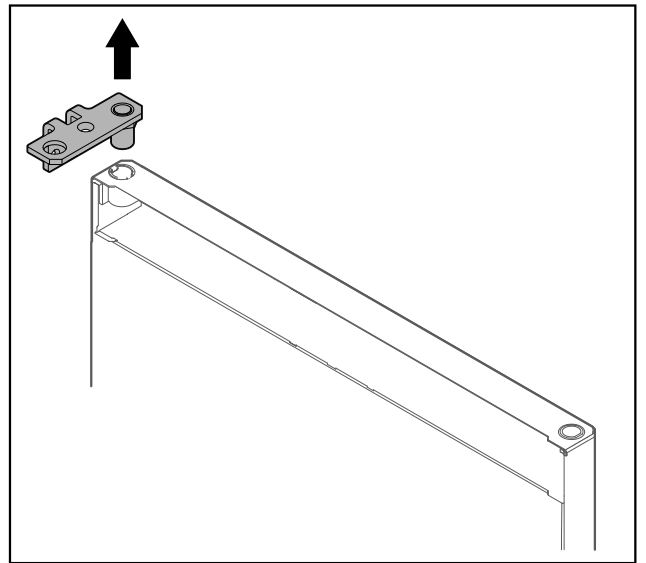


Fig. 20

- ▶ Pull out the hinge.

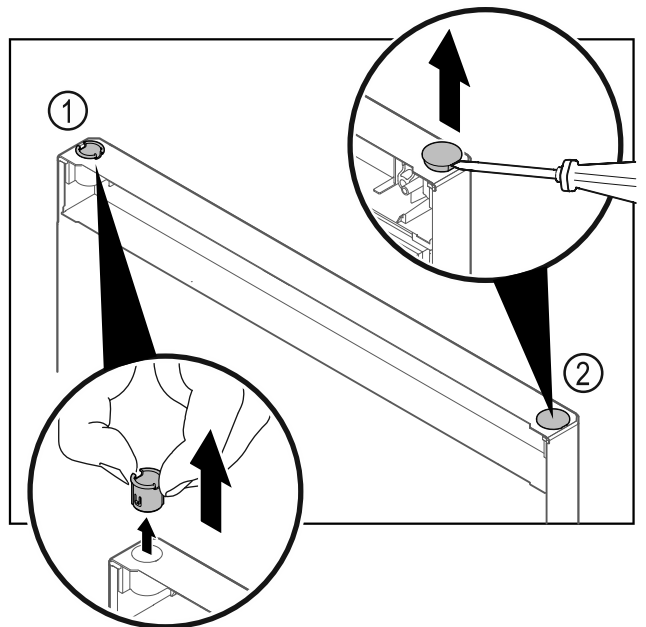


Fig. 21 Fridge compartment door

- ▶ Pull out the hinge bushing Fig. 21 (1) with your fingers.
- ▶ Carefully lift the cover plug Fig. 21 (2) with a slotted screwdriver and pull it out.

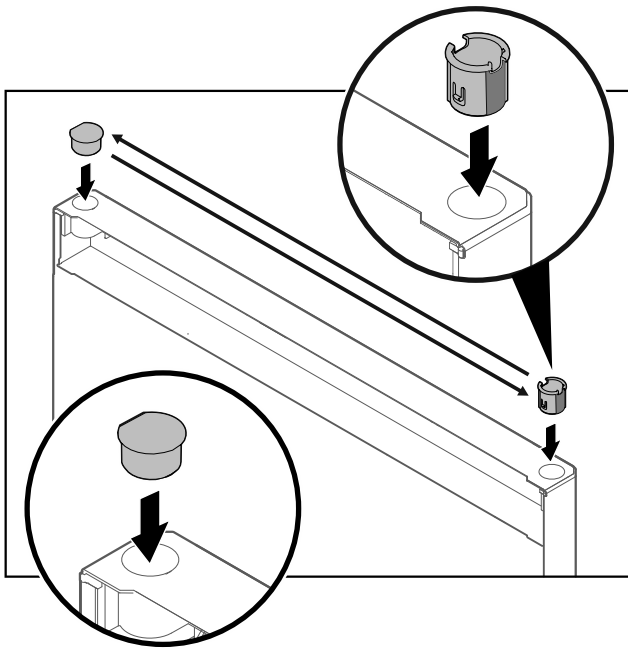


Fig. 22 Fridge compartment door

- ▶ Insert hinge bushing and cover plug on the opposite side (the flattened sides face outwards).

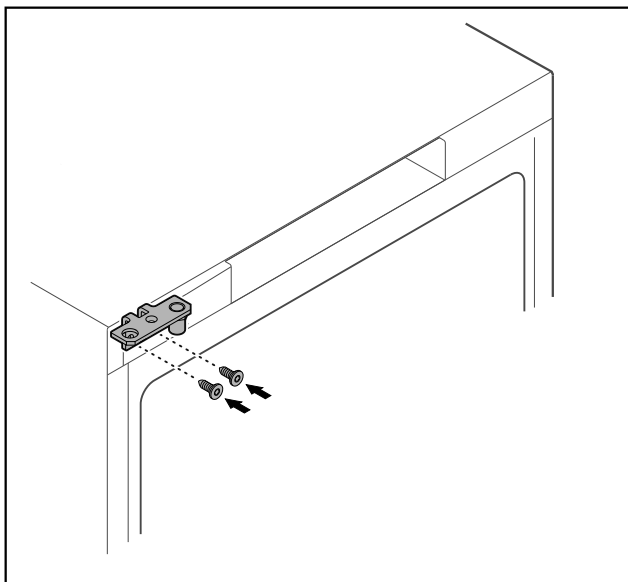


Fig. 23

- ▶ Move the hinge to the opposite side.



WARNING

- Risk of injury and material damage if the door tips out!
- ▶ Tighten the bearing pins to the specified torque.

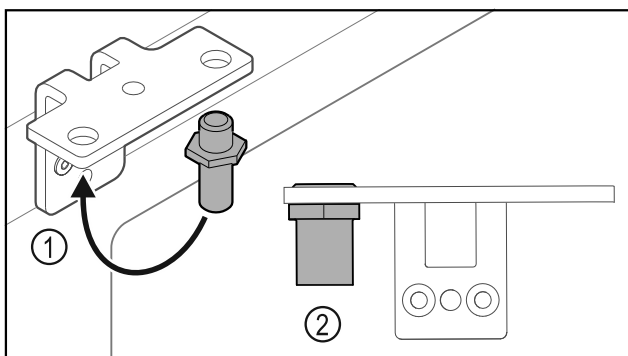


Fig. 24

- ▶ Put the pin back into the hinge Fig. 24 (1).
- ▶ Tighten the pin Fig. 24 (2) to a **torque of 12 Nm**.
- ▶ Unscrew the hinge again.

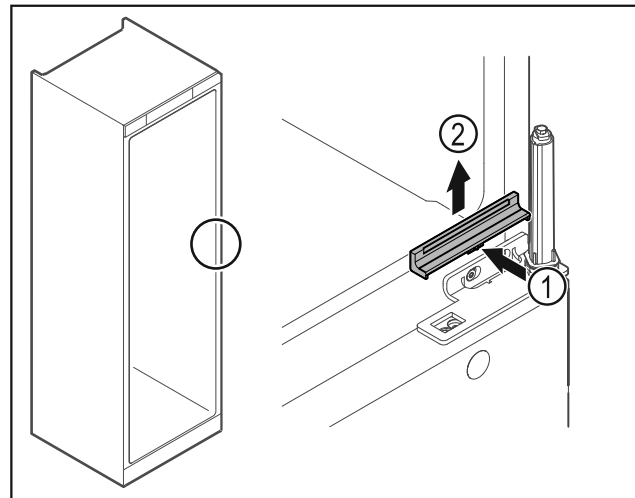


Fig. 25

- ▶ Gently press the middle of the cover Fig. 25 (1) and lift it off Fig. 25 (2).

NOTICE

Risk of injury due to tensioned spring!

- ▶ Do not disassemble the door closing system Fig. 26 (1).

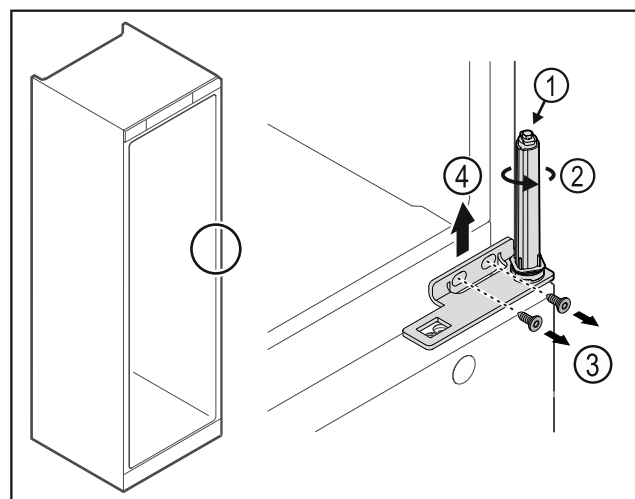


Fig. 26

- ▶ Turn the closing system Fig. 26 (2) until it clicks.
- ▷ The tension of the closing system is released.

Note

- ▶ Hold the door.
- ▶ Loosen the screws Fig. 26 (3) and lift off the hinge Fig. 26 (4).

Start-up

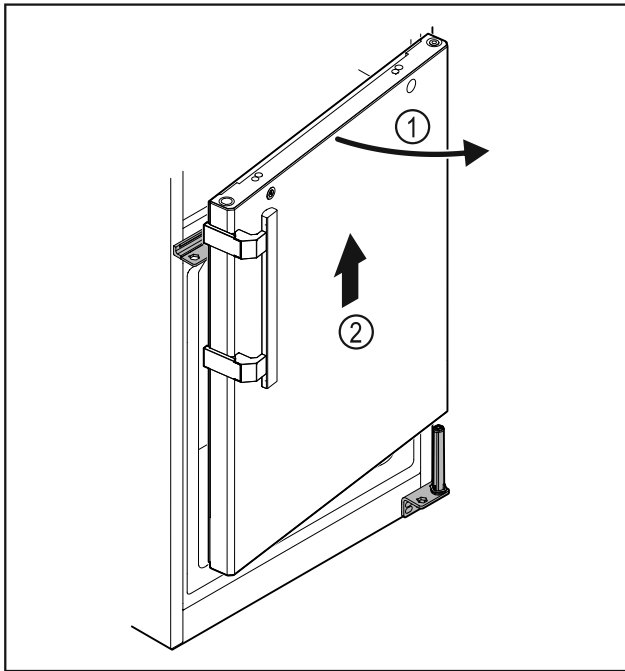


Fig. 27

- ▶ Open the door Fig. 27 (1) slightly, lift it straight up by around 200 mm and take it off Fig. 27 (2).
- ▶ Carefully place the door on a soft surface.

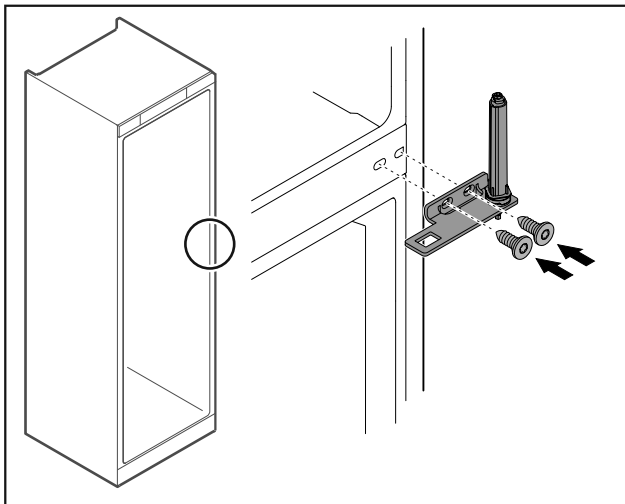


Fig. 28

- ▶ Screw the hinge back on.

Note

You must move the handle on both doors.

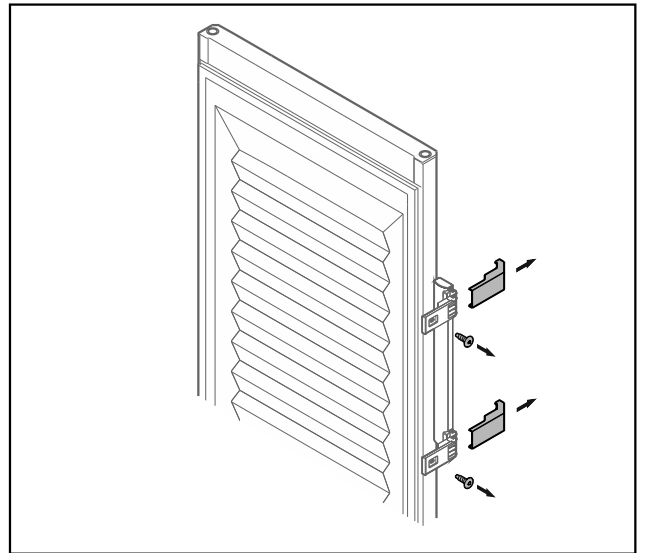


Fig. 29 Insulated door*

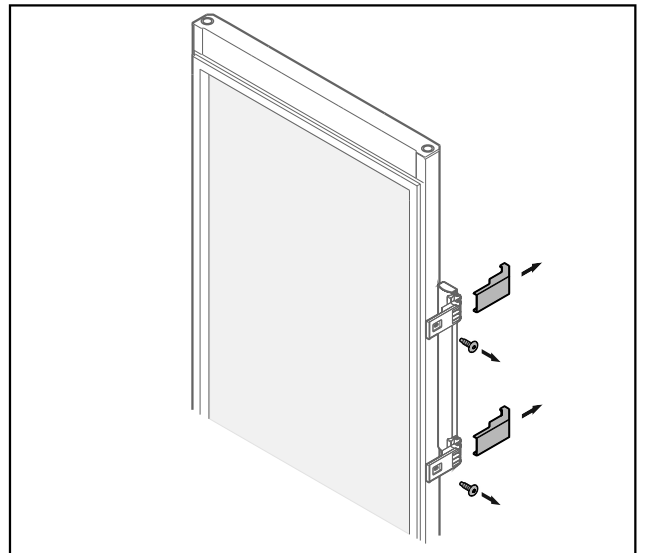


Fig. 30 Glass door*

- ▶ Remove the panels.
- ▶ Unscrew the handle.

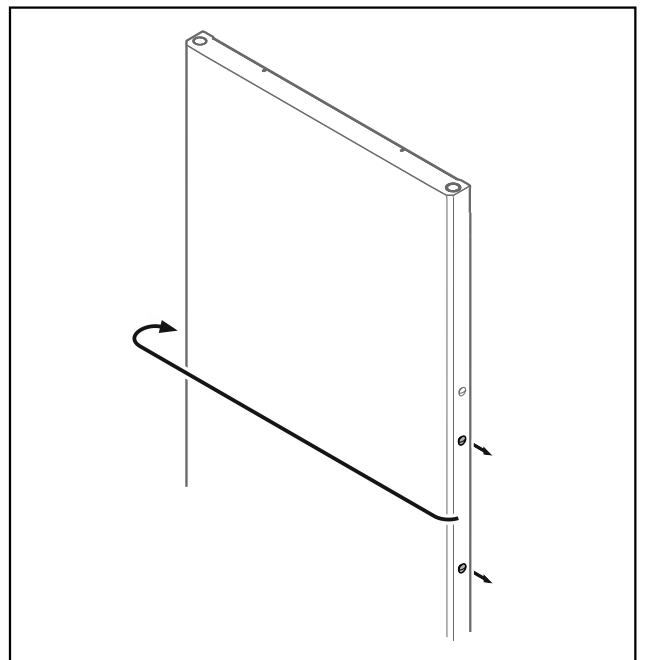


Fig. 31

- Put the stopper on the opposite side.

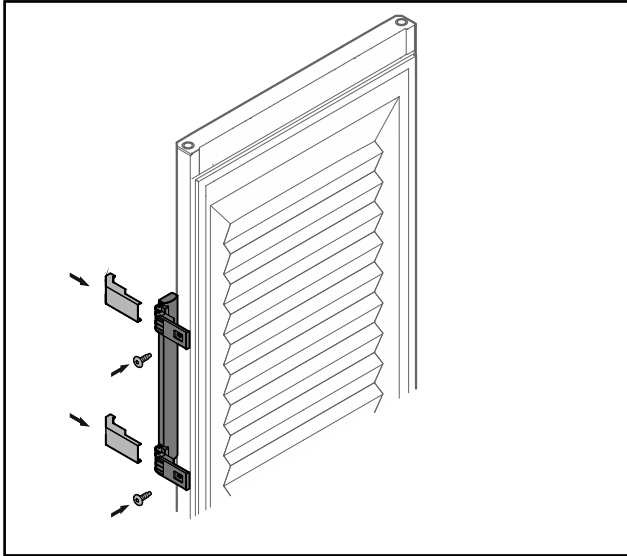


Fig. 32 Insulated door*

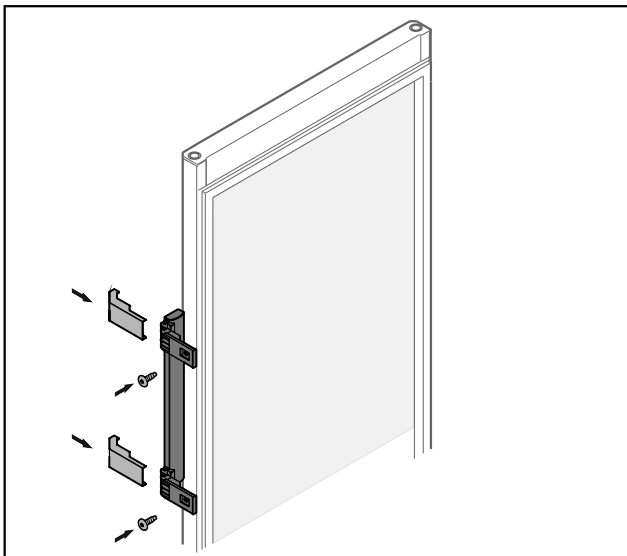


Fig. 33 Glass door*

- Screw the handle onto the opposite side.
- Attach the panels.

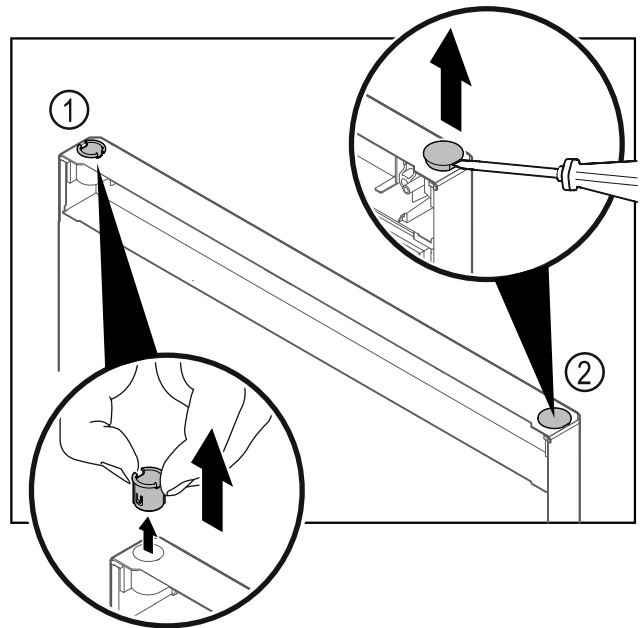


Fig. 34 Freezer compartment door

- Pull out the hinge bushing Fig. 34 (1) with your fingers.
- Carefully lift the cover plug Fig. 34 (2) with a slotted screwdriver and pull it out.

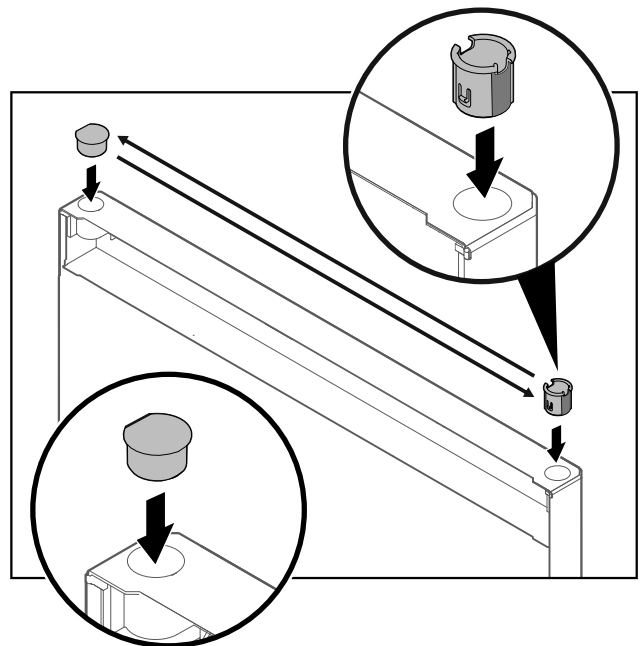
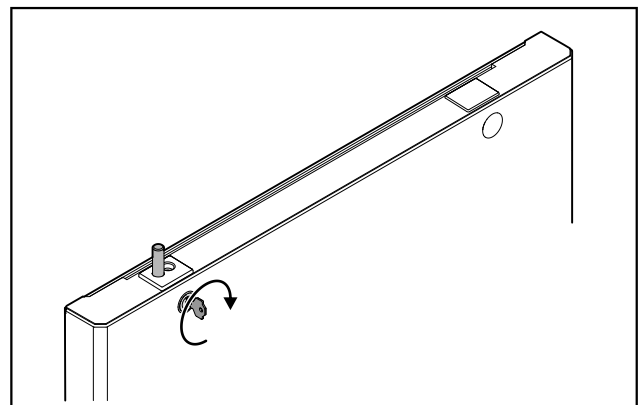


Fig. 35 Freezer compartment door

- Insert hinge bushing and cover plug on the opposite side (the flattened sides face outwards).



Start-up

Fig. 36 Freezer compartment door

- ▶ Engage the lock.

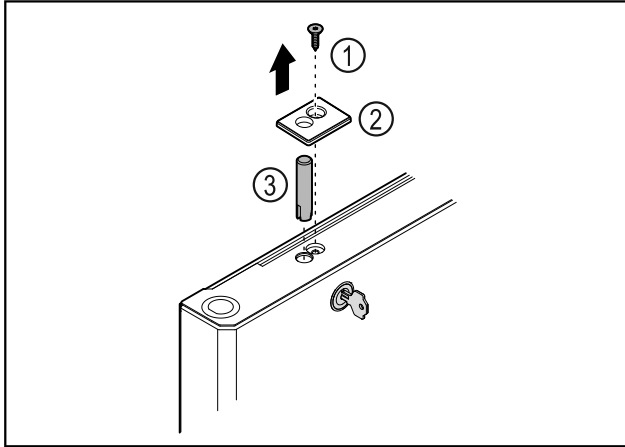


Fig. 37

- ▶ Remove the screw *Fig. 37 (1)*.
- ▶ Unlatch the cover *Fig. 37 (2)* with a small screwdriver and remove it.
- ▶ Pull out the lock bolt *Fig. 37 (3)*.

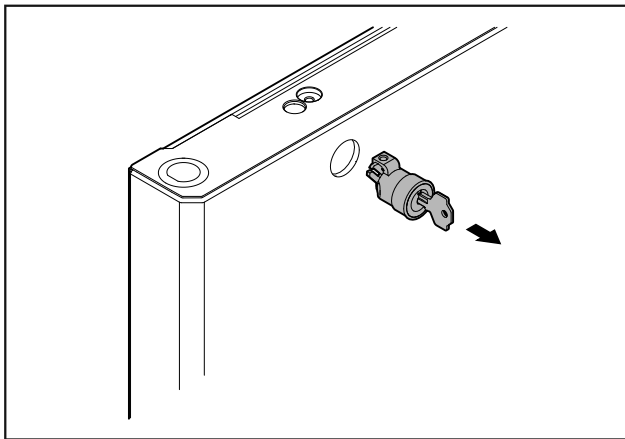


Fig. 38

- ▶ Pull out the lock.

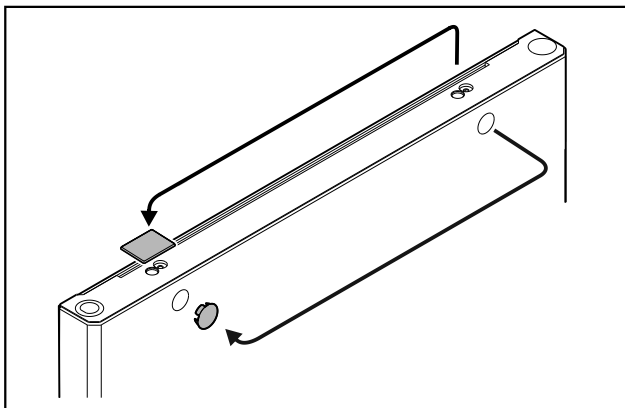


Fig. 39

- ▶ Put the covers on the opposite side.

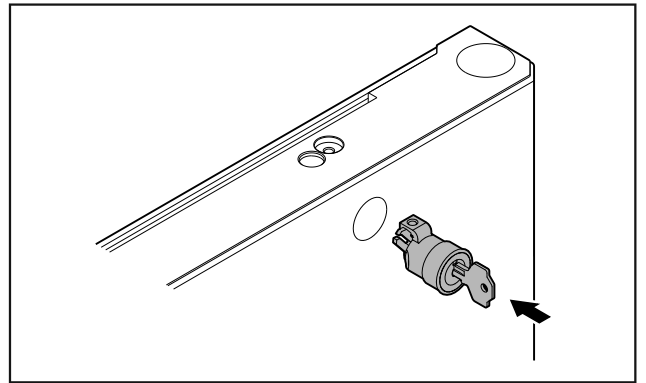


Fig. 40

- ▶ Put in the lock.

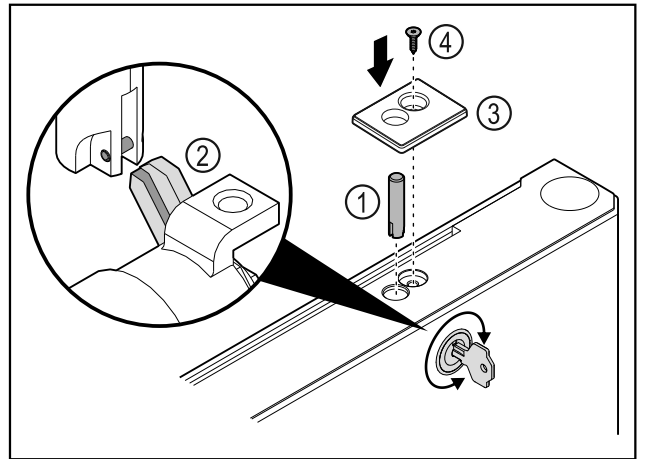


Fig. 41

- ▶ Put in the lock bolt *Fig. 41 (1)*.
- ▶ Turn the lock slightly so that the lock bolt *Fig. 41 (2)* engages in the slot of the lock.
- ▶ Put in the cover *Fig. 41 (3)*.
- ▶ Insert the screw *Fig. 41 (4)*.

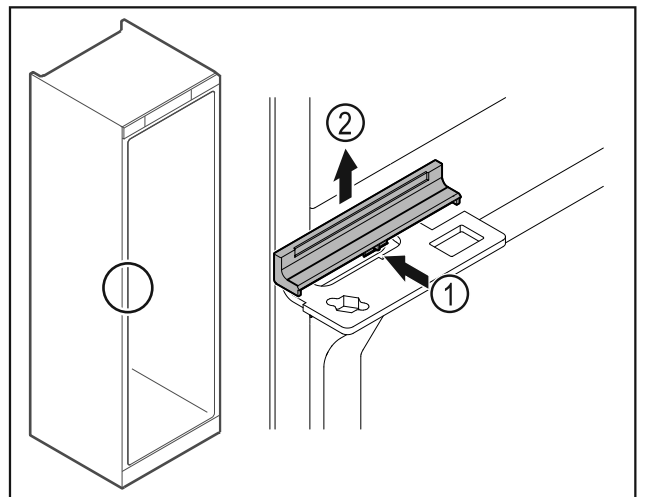


Fig. 42

- ▶ Gently press the middle of the cover *Fig. 42 (1)* and lift it off *Fig. 42 (2)*.

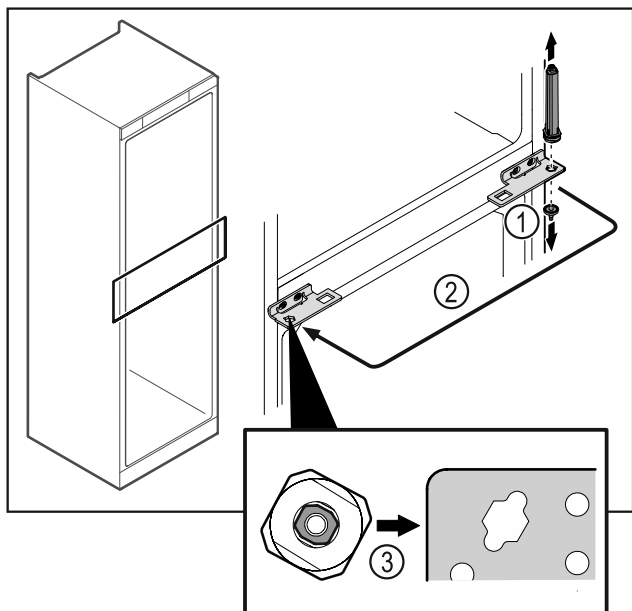


Fig. 43

- ▶ Unscrew the hinge pin Fig. 43 (1).
- ▶ Move the door closing system Fig. 43 (2).
- ▶ Make sure the pin chamfer Fig. 43 (3) faces the round hole when you put it in.

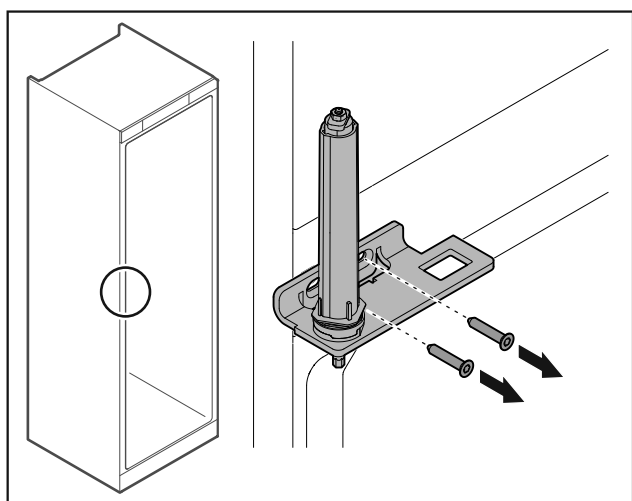


Fig. 44

- ▶ Unscrew the hinge.

NOTICE

Risk of injury due to tensioned spring!

- ▶ Do not disassemble the door closing system Fig. 45 (1).

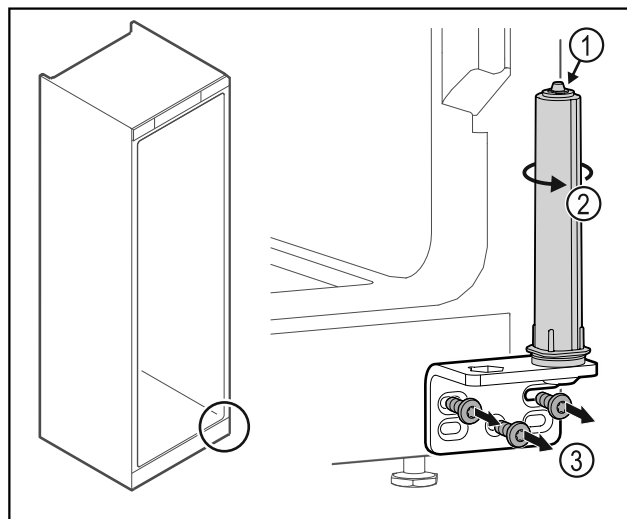


Fig. 45

- ▶ Turn the closing system Fig. 45 (2) until it clicks.
- ▶ The tension of the closing system is released.
- ▶ Unscrew the hinge Fig. 45 (3).

Note

Incorrect positioning of the height adjustment discs. It is no longer possible to secure the nut sufficiently.

- ▶ The washer must snap into place on the bottom of the locking system.

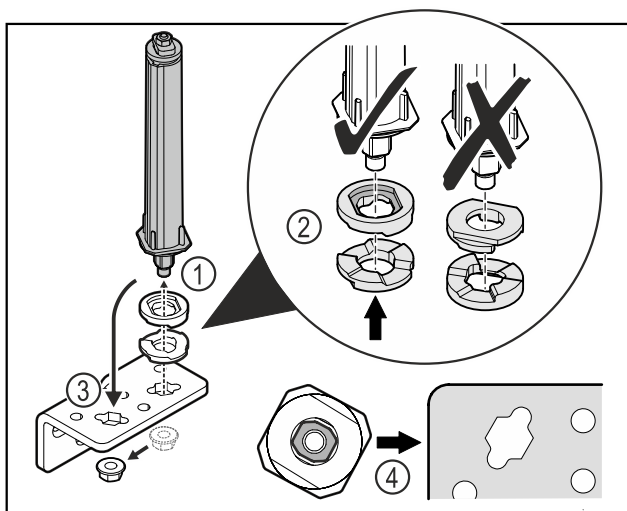


Fig. 46

- ▶ Loosen the nut and remove the door closing system Fig. 46 (1).
- ▶ Observe the correct alignment of the height adjustment washers Fig. 46 (2).
- ▶ Put the door closing system in the hinge fix in place with the nut Fig. 46 (3).
- ▶ Observe the correct alignment of the door closing system when doing so Fig. 46 (4).

Start-up

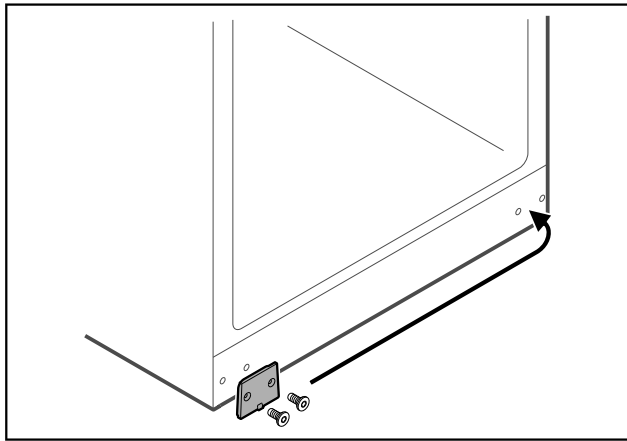


Fig. 47

- Put the cover plate on the opposite side.

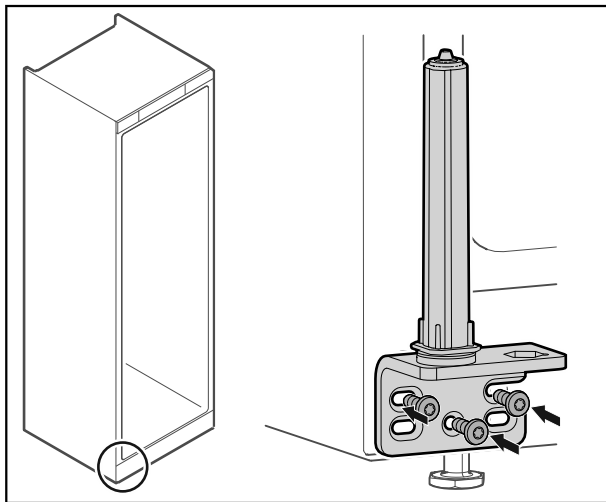


Fig. 48

- Screw the hinge onto the opposite side.

Note

Correct alignment and tension are important for the closing system to work properly.

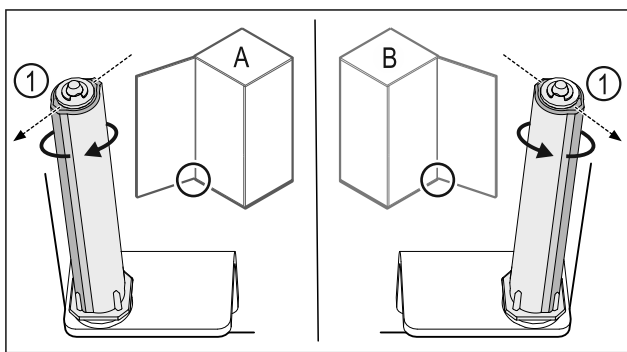


Fig. 49 Left-hinged (A) / Right-hinged (B)

- Turn the closing system against the resistance until the bar of the closing system Fig. 49 (1) points outwards.
- ▷ The closing system automatically stays in this position.
- ▷ The closing system is now aligned and pretensioned.

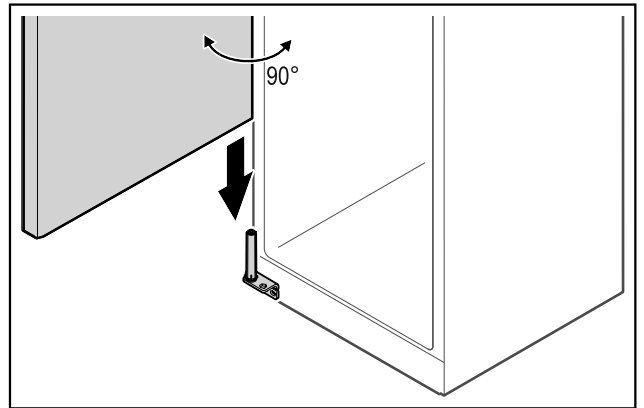


Fig. 50

- Together with a second person, lift the door from the ground and place it on the closing system.

Note

- Hold the door.

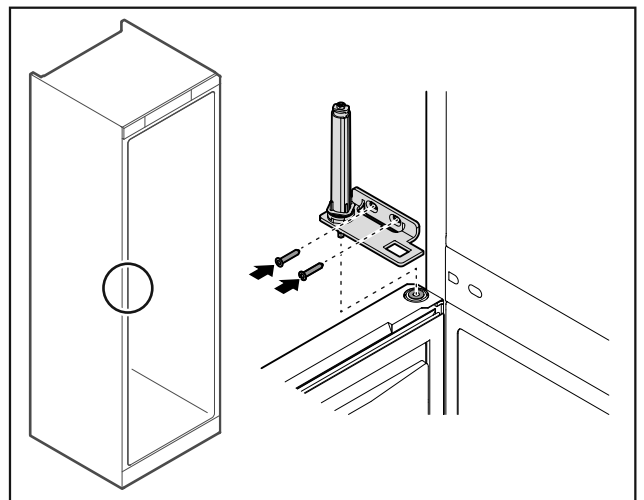


Fig. 51

- Screw on the hinge.

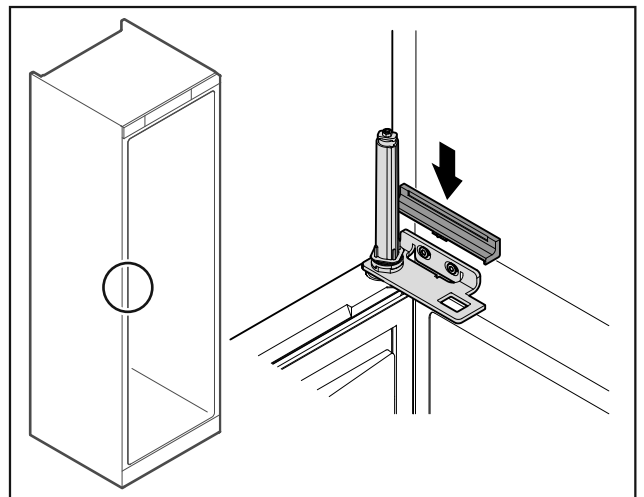


Fig. 52

- Snap on the cover.

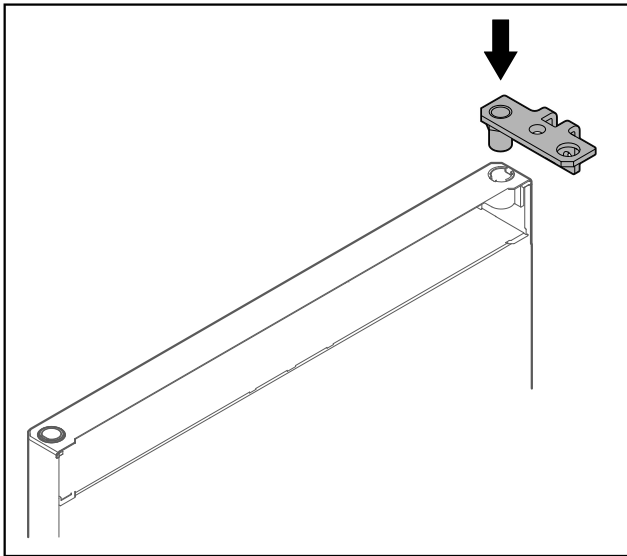


Fig. 53

- ▶ Put the hinge into the door.

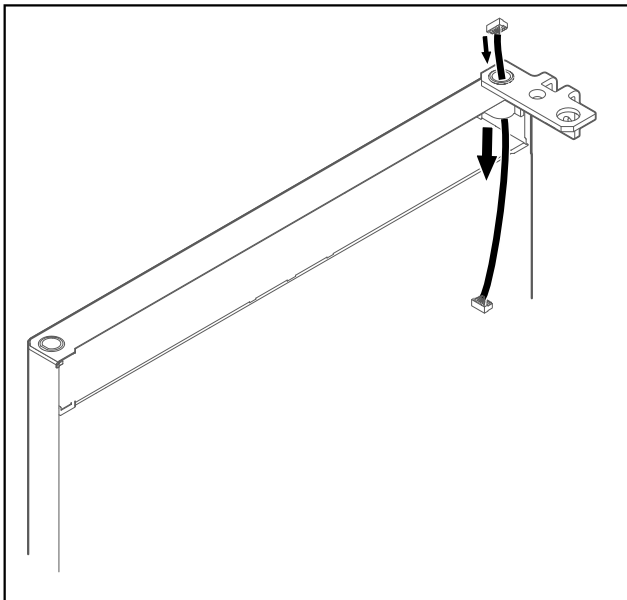


Fig. 54

- ▶ Carefully push the cable through.

NOTICE

Risk of injury if the door tips out!

- ▶ Hold the door.

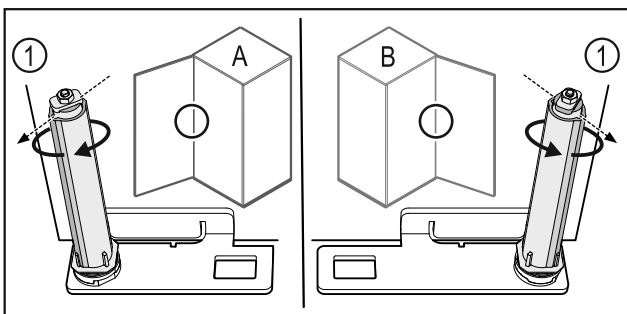


Fig. 55 Left-hinged (A) / Right-hinged (B)

- ▶ Turn the closing system against the resistance until the bar of the closing system Fig. 55 (1) points outwards.
- ▷ The closing system automatically stays in this position.
- ▷ The closing system is now aligned and pretensioned.

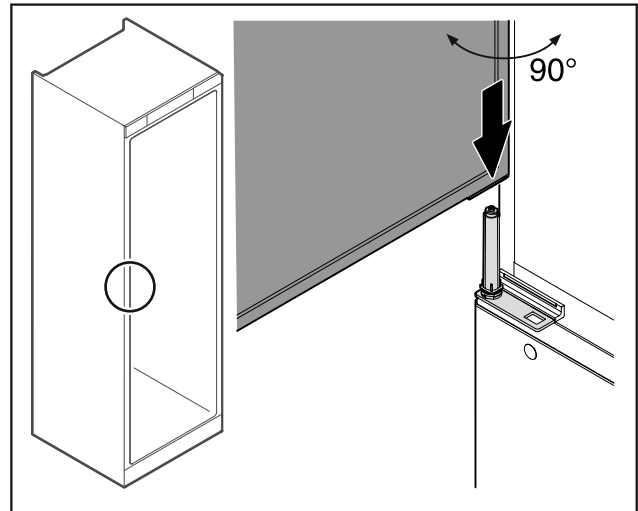


Fig. 56

- ▶ Together with a second person, lift the door from the ground.
- ▶ Carefully put the door on the closing system with the door opened at a 90° angle.

NOTICE

Material damage due to incorrect mounting!

- ▶ Do not pinch the cable when mounting the hinge.

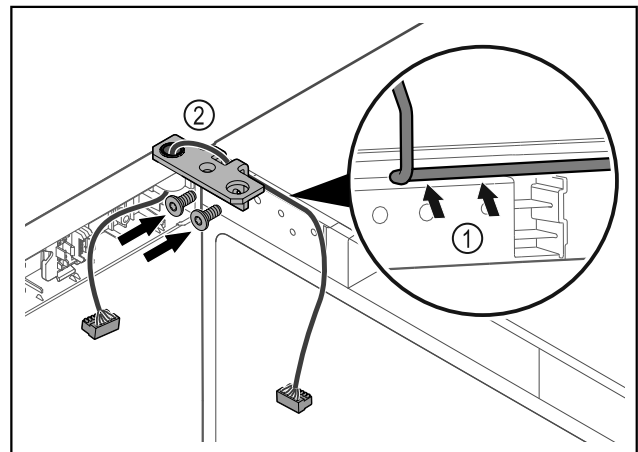


Fig. 57

- ▶ Feed the cable through the recess in the hinge and lay it carefully Fig. 57 (1).
- ▶ Screw on the hinge Fig. 57 (2).

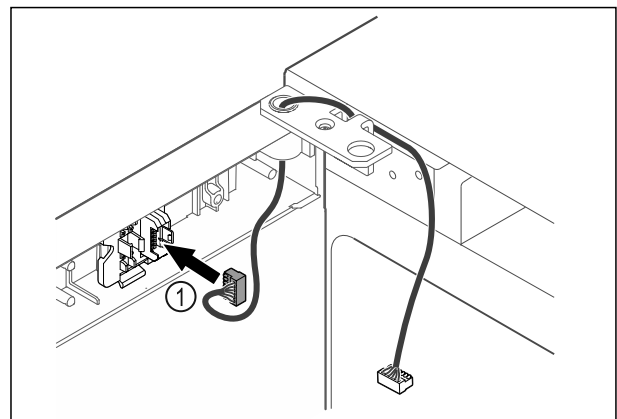


Fig. 58

- ▶ Put the plug Fig. 58 (1) in the plug holder.

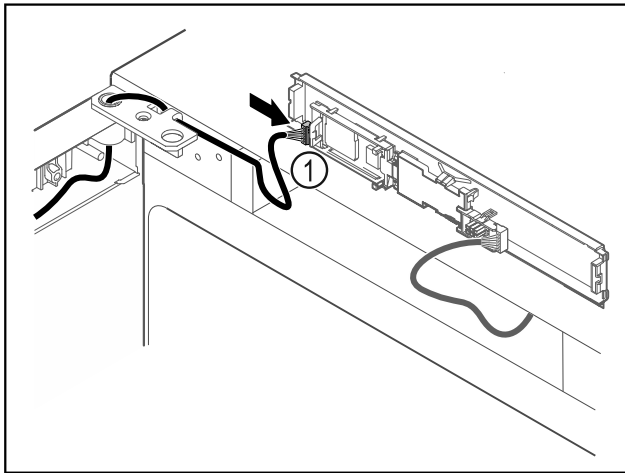


Fig. 59

- ▶ Connect the plug Fig. 59 (1) to the circuit board.

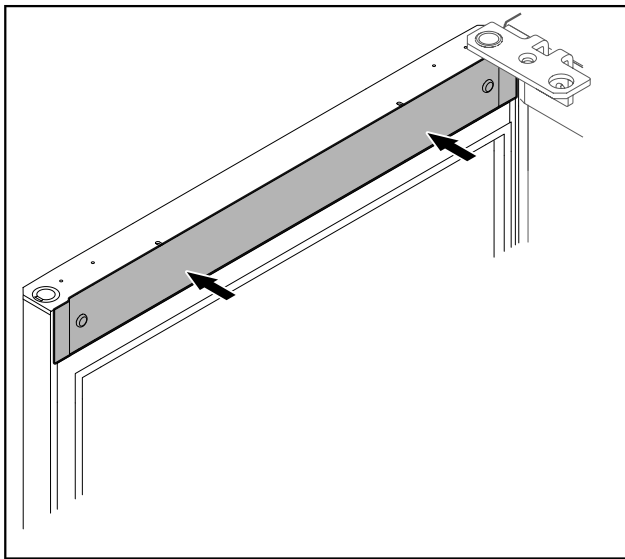


Fig. 60

- ▶ Put on the cover.

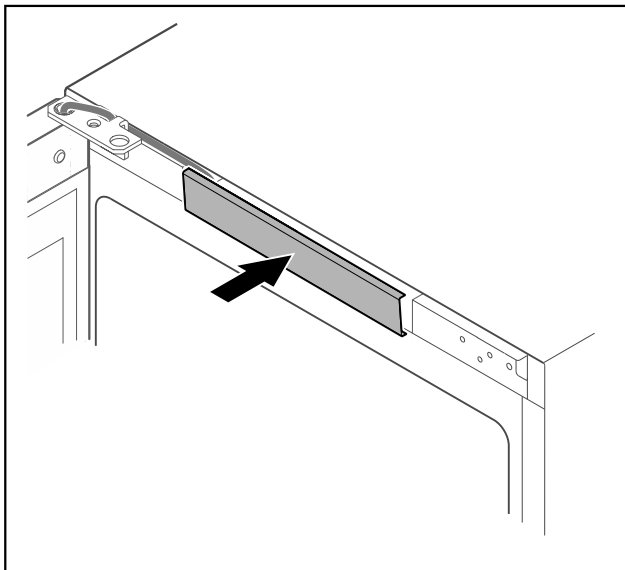


Fig. 61

- ▶ Snap in the middle cover.

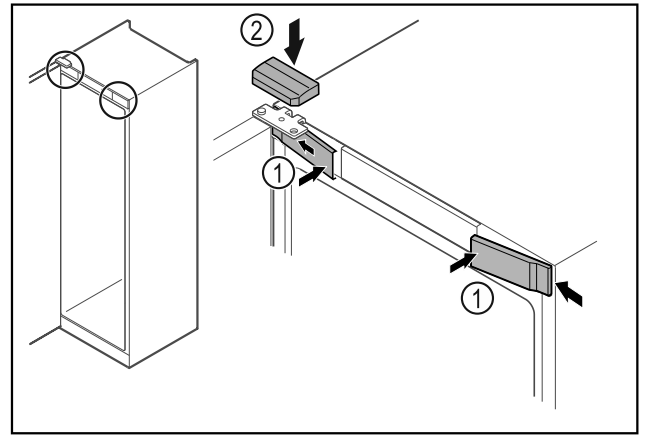


Fig. 62

- ▶ Hook in the front covers Fig. 62 (1) on the side and snap them into place.
- ▶ Snap on the top cover Fig. 62 (2) from above.
- ▶ Close the door.
- ▷ The door has now been reversed.

3.13 Aligning the door

If the door is not straight, you can adjust it on the hinge.

Align the fridge compartment door before the freezer compartment door.

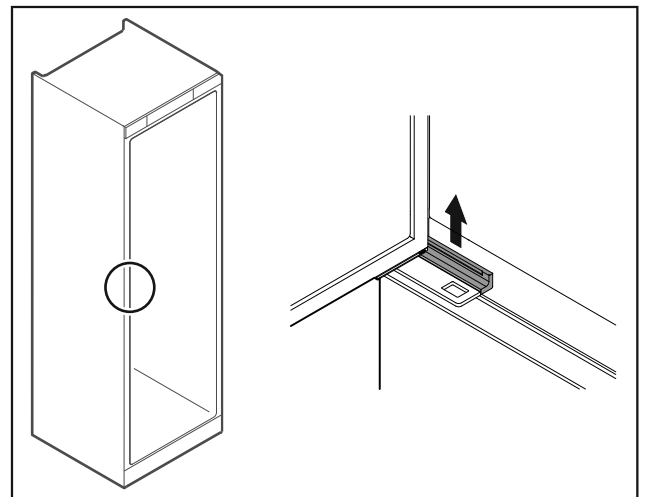


Fig. 63 Fridge compartment

- ▶ Take off the cover.

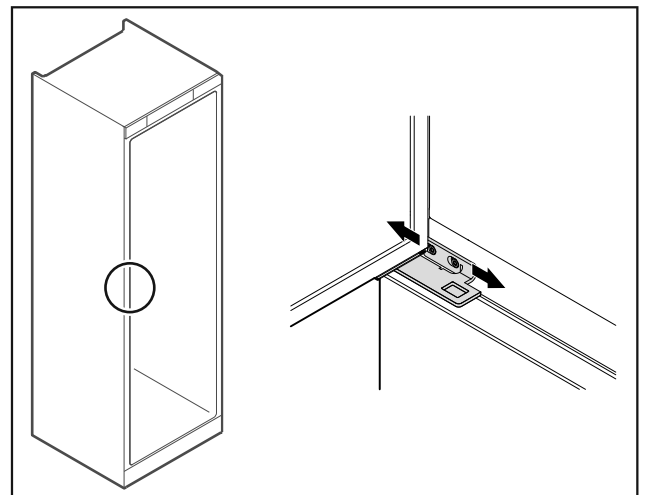


Fig. 64 Fridge compartment

- ▶ Slightly undo both screws and move the door with the hinge to the left or right.
- ▶ Tighten the screws.
- ▶ Put on the cover.

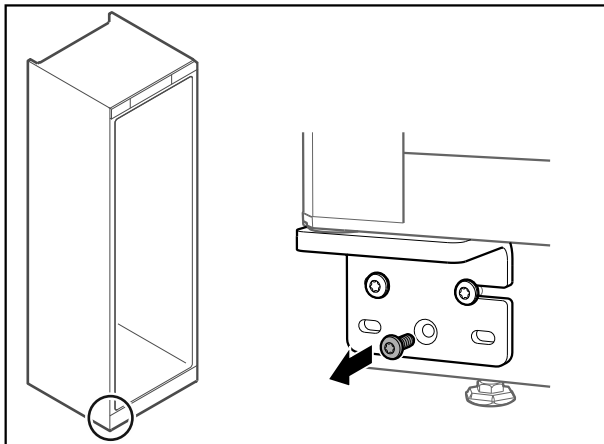


Fig. 65 Freezer compartment

- ▶ Remove the middle screw on the lower hinge.

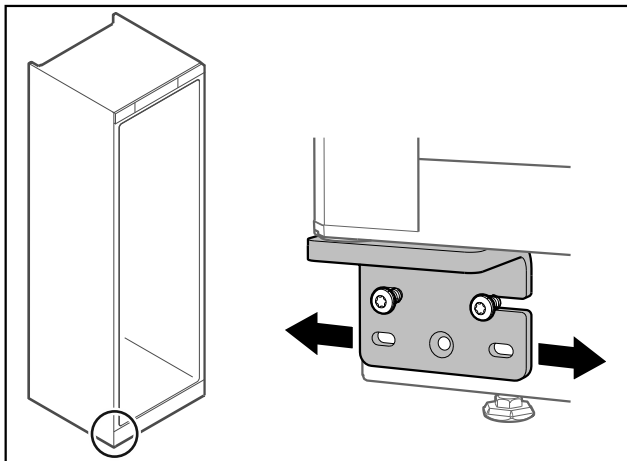


Fig. 66 Freezer compartment

- ▶ Slightly undo both screws and move the door with the hinge to the left or right.
- ▶ Fully tighten the screws (the middle screw is no longer needed).
- ▷ The doors are now aligned.

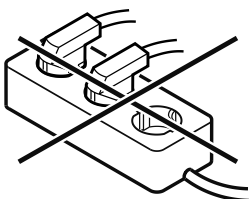
3.14 Connecting the appliance



WARNING

Danger of fire due to incorrect connection!
Burns.
Damage to the appliance.

- ▶ Do not use an extension cord.
- ▶ Do not use a multipoint connector strip.



NOTICE

Danger of damage to incorrect connection!
Damage to the appliance.

- ▶ Do not connect the appliance to a stand-alone inverter, e.g. solar power systems and petrol generators.

Note

Only use the supplied power cable.

- ▶ A longer power cable can be ordered from customer service. (see 8.3 Customer Service)

Make sure that the following requirements are fulfilled:

- The appliance is operated using **alternating current** only.
- The permitted voltage and frequency are printed on the type plate. The type plate position can be seen in the appliance overview chapter. (see 1.2 Overview of appliance and equipment)
- The socket is grounded and fused in accordance with regulations.
- The tripping current for the fuse is between 10 A and 16 A.
- The socket is easily accessible.
- ▶ Check the electrical connection.
- ▶ Insert the appliance plug on the rear side of the appliance. Ensure that it engages correctly.
- ▶ Connect the power plug to the power supply.
- ▷ The display switches to the standby symbol.

3.15 Switching on the appliance (first use)

Make sure that the following requirements are fulfilled:

- Appliance is set up and connected.
- All adhesive strips, adhesive and protective films and transport locks are removed from inside and outside the appliance.



Fig. 67 Example illustration

The standby symbol flashes until the startup process is complete.

The standby symbol is shown in the display.

If the appliance has been supplied with factory settings, the screen language first needs to be selected when using for the first time.

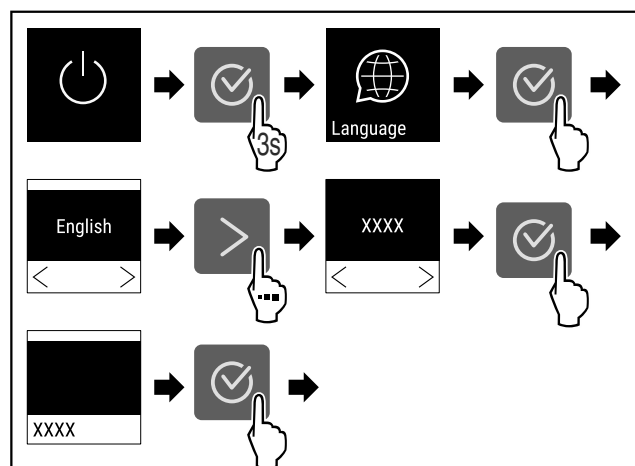


Fig. 68

- ▶ Carry out action steps according to the illustration.

Storage

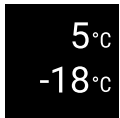


Fig. 69

- ▷ The appliance is switched on once the temperature appears on the display.
- ▷ The temperature display flashes until the set temperature is reached.

4 Storage

4.1 Information regarding storing items

Note

Failure to follow these guidelines can lead to food becoming spoiled.

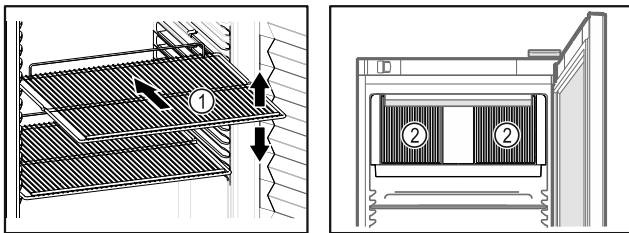



Fig. 70 Example illustration Fig. 71

When stocking items, observe the following:

- If there are adjustable shelves Fig. 70 (1), position them as required.
- Observe maximum load weight. (see 8.1 Technical data)
- Do not stock appliance until the storage temperature has been reached (maintain cold chain).
- Ventilation slots Fig. 71 (2) for recirculation fan in the interior must be kept clear.
- Refrigerated goods must not touch the rear wall.
- Do not store refrigerated goods beyond the rear stop of the support grates.
- Keep liquids in closed containers.
- Pack raw meat or raw fish in clean, sealed containers so that they do not touch other food and cannot drip onto other food.
- Leave space when storing items for refrigeration to ensure adequate air circulation.
- Do not stack refrigerated products above the indicated height.  This is important for free air circulation and even temperature distribution in the interior.

4.2 Storage times

The best-before date specified on the packaging should be used as the reference point for the storage time.

5 Use

5.1 Control and display elements

The display provides a quick overview of the current appliance status, the temperature setting, the status of functions and settings as well as alarm and error messages. It is operated using the navigation arrows and confirmation symbol.

Functions can be activated or deactivated and settings values can be changed.

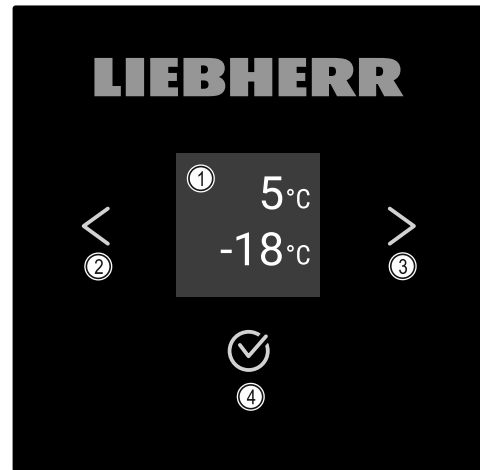


Fig. 72 Display

- (1) Status display
- (2) Backward navigation arrow
- (3) Forward navigation arrow
- (4) Confirm

5.1.1 Status display








Fig. 73 Status display

- (1) Temperature, fridge compartment
- (2) Temperature, freezing compartment

The status display shows the temperature and is the home display. You navigate from here to the other functions and settings. (see 5.2 Navigation) The status display may show a range of display symbols.

5.1.2 Display symbols

The display symbols provide information about the current status of the appliance.

Symbol	Appliance status
	Standby Appliance is switched off.
	Flashing standby symbol Appliance is starting up.
	Flashing temperature Target temperature not yet reached. Appliance cooling to set temperature.
	Temperature display Appliance displays set temperature.
	Display alternating between temperature/defrost symbol with white bar Appliance is in manual defrosting mode.

Symbol	Appliance status
	D in the display Appliance is in DemoMode.
	Maintenance reminder The time set interval has expired.
	Flashing symbol A fault is still present.
	Error symbol Appliance is still malfunctioning.
	White bar at the bottom Submenu
	White bar at the top Default, active setting or active value.
	Increasing bar Press button for 3 seconds to activate setting.
	Decreasing bar Press button for 3 seconds to deactivate setting.

Status display symbols

5.1.3 Acoustic signals

A signal sounds in the following cases:

- If a function or a value is confirmed.
- If a function or a value can neither be activated nor deactivated.
- As soon as a fault occurs.
- If there is an alarm message.

The alarms can be switched on and off in the customer menu.

5.2 Navigation

Navigate in the menu to access the individual functions. Operation via buttons next to the display.

5.2.1 Navigating with buttons

Display and button	description
	Forward navigation arrow Advances to next menu (submenu). After the last menu page appears, it goes back to the first menu page.

Display and button	description
	Backward navigation arrow Short press: Goes back one menu (submenu). Long press (3 seconds): Returns to the status display.
	Pressing multiple times Navigates within the menu.
	Confirm Activates / deactivates function. Confirms selection. Opens submenu.
	Back Jumps back one level.

5.2.2 Settings menu

You can access additional appliance functions via the Service menu.

Opening the Settings menu

- ▶ Press the navigation arrow repeatedly until the corresponding function is displayed.

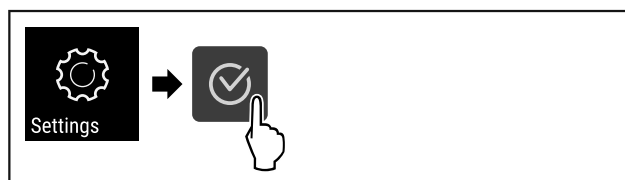


Fig. 74

- ▶ Carry out steps according to the illustration.
- ▷ The Settings menu opens.

5.2.3 Customer menu

The Customer menu is protected by the code **151**. You can access additional appliance functions.

Opening the Customer menu

- ▶ Press the navigation arrow repeatedly until the corresponding function is displayed.

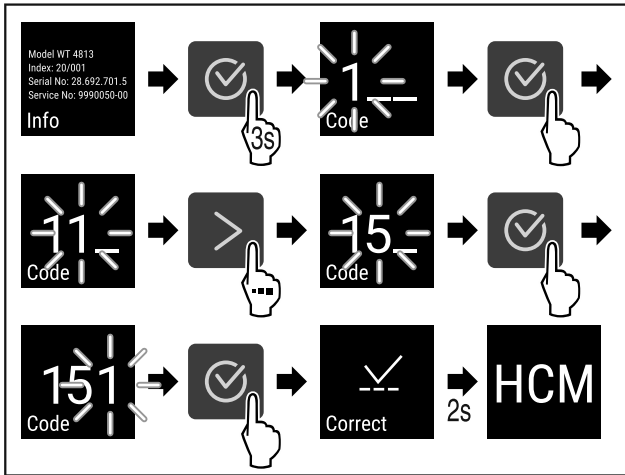


Fig. 75

- ▶ Carry out steps according to the illustration.
- ▷ The customer menu is opened.

5.2.4 Setting values

Display values can be set in the submenu in combination with the navigation arrow:

Display and button	description
	Increases a value.
	Reduces a value.

5.2.5 General rules

The following general rules apply in addition to the buttons available:

- Once a value has been selected, the display is shown for 2 seconds before jumping back one level.
- If no selection is made after 10 seconds, the display changes to the status display (excluding the customer menu).
- If a selection is confirmed in a submenu, the display switches back to the menu.

5.3 Appliance functions

5.3.1 Overview of functions

- Switching the appliance on and off
- Manually starting automatic defrosting
- Settings
- Info

- Temperature
- Door alarm
- Light alarm*
- Maintenance reminder interval
- Lighting*
- Language
- Temperature unit
- Screen brightness
- LAN *
- WiFi *
- Lighting intensity
- SuperCool
- SuperFrost
- Humidity
- Display lock
- Operating hours
- Software
- DemoMode
- Factory reset

5.3.2 Switching appliance on and off



Using this setting the entire appliance can be switched on and off.

Switching on the appliance

Without activated DemoMode:



Fig. 76

- ▶ Carry out action steps according to the illustration.

With activated DemoMode:

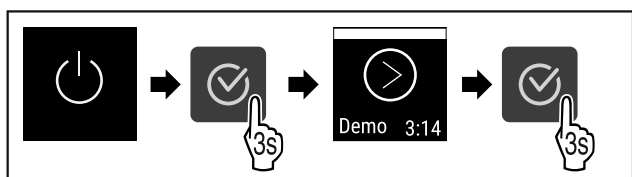


Fig. 77

- ▶ Carry out action steps according to the illustration.

Note

Deactivate DemoMode before the countdown finishes.

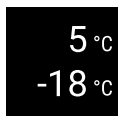


Fig. 78

- ▷ The temperature appears on the display.

Switching off the appliance

- ▶ Call up the settings menu. (see 5.2 Navigation)
- ▶ Press the navigation arrow repeatedly until the corresponding function is displayed.

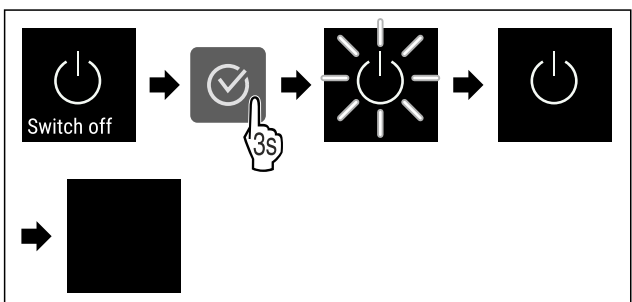


Fig. 79

- ▶ Carry out action steps according to the illustration.
- ▷ Standby symbol is shown in the display.
- ▷ Display switches off after approximately 10 minutes.

5.3.3 Switching temperature zones off and on

You can switch temperature zones of the appliance off independently.

Application:

- Cleaning
- Defrosting

Switching the fridge compartment off

Make sure that the following requirements are fulfilled:

- Refrigerator compartment has been emptied.
- ▶ Open the Settings menu. (see 5.2 Navigation)
- ▶ Tap navigation arrow repeatedly until corresponding function is displayed.

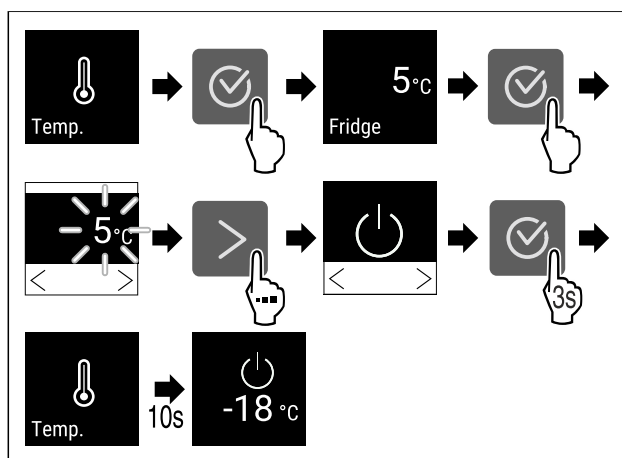


Fig. 80

- ▶ Carry out action steps according to the illustration.
- ▷ Refrigerator compartment is switched off.

Switching the freezer compartment off

Make sure that the following requirements are fulfilled:

- Freezer compartment has been emptied.
- ▶ Open the Settings menu. (see 5.2 Navigation)
- ▶ Tap navigation arrow repeatedly until corresponding function is displayed.

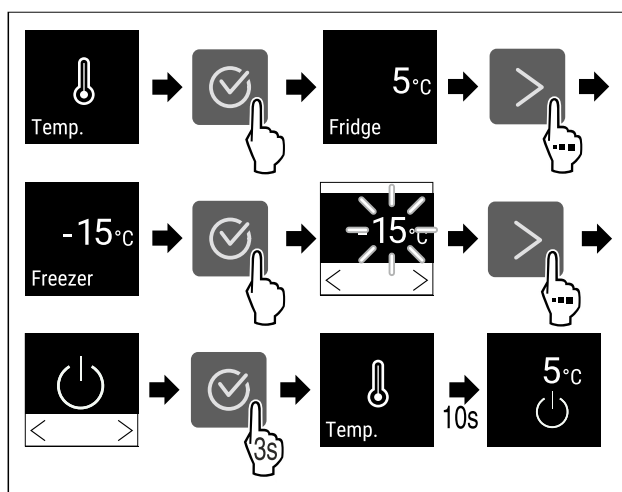


Fig. 81

- ▶ Carry out action steps according to the illustration.
- ▷ Freezer compartment is switched off.

Switching the fridge compartment on

- ▶ Open the Settings menu. (see 5.2 Navigation)
- ▶ Tap navigation arrow repeatedly until corresponding function is displayed.

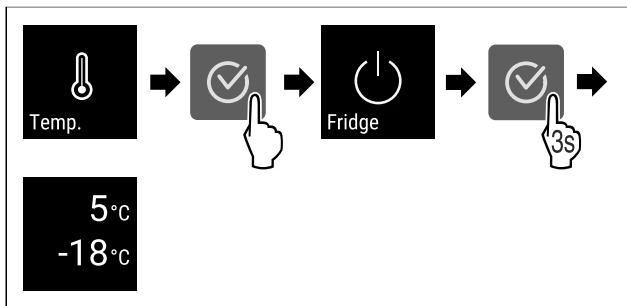


Fig. 82

- ▶ Carry out action steps according to the illustration.
- ▷ Refrigerator compartment is switched on.
- ▷ The appliance cools to the last set temperature.

Switching the freezer compartment on

- ▶ Open the Settings menu. (see 5.2 Navigation)
- ▶ Tap navigation arrow repeatedly until corresponding function is displayed.

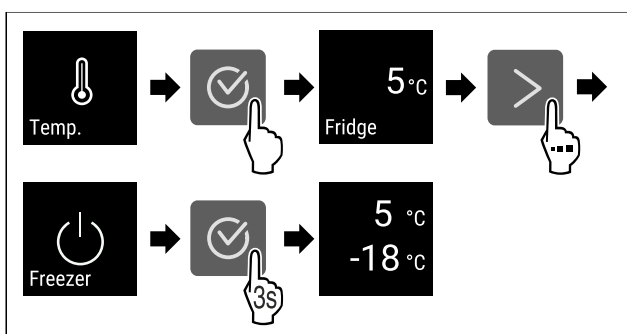


Fig. 83

- ▶ Carry out action steps according to the illustration.
- ▷ Freezer compartment is switched on.
- ▷ The appliance cools to the last set temperature.



5.3.4 Temperature

The temperature depends on the following factors:

- How often the door is opened
- How long the door is open for
- The room temperature of the installation site
- The type, temperature and amount of frozen/refrigerated items

Note

The temperature may differ from the temperature displayed in some areas of the interior.

At the correct temperature, frozen and refrigerated food will keep for longer. This avoids disposing of food unnecessarily.

Setting the temperature

- ▶ Call up settings menu. (see 5.2 Navigation)
- ▶ Press the navigation arrow repeatedly until the corresponding function is displayed.

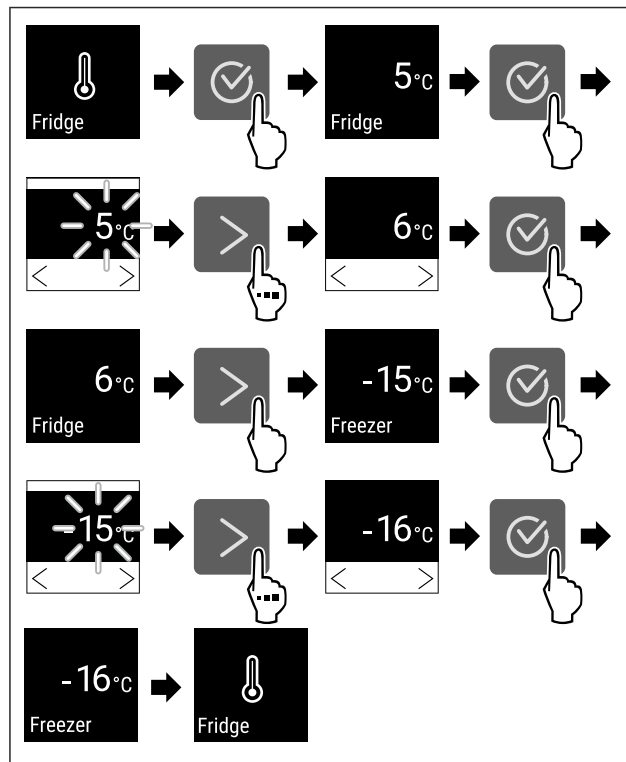


Fig. 84 Changing temperature from 5 °C to 6 °C and -15 °C to -16 °C

- ▶ Carry out steps .
- ▷ Temperature is set.



5.3.5 Lighting

The appliance is equipped with interior lighting.

You can keep the interior lighting on continuously. (see Switching on lighting*) *

When you open the appliance door, the interior lighting switches on.

You can also deactivate this function. (see Switching off the lighting when opening the door*) *

Switching off lighting*

- ▶ Press the navigation arrow repeatedly until the corresponding function is displayed.

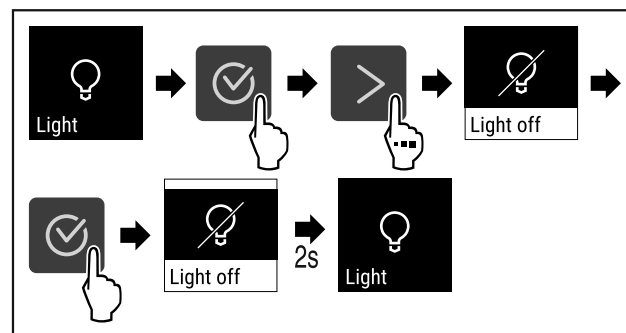


Fig. 85

- ▶ Carry out steps (see Fig. 85) .
- ▷ Lighting is switched off.

Switching on lighting*

- ▶ Press the navigation arrow repeatedly until the corresponding function is displayed.

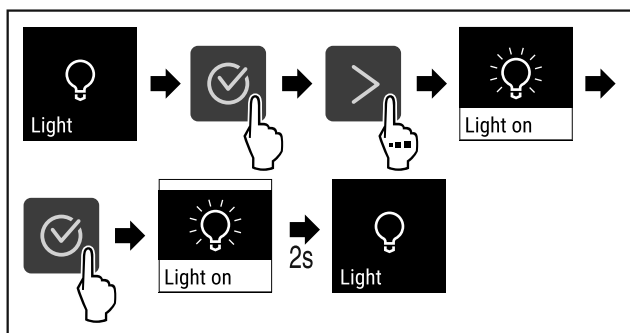


Fig. 86

- ▶ Carry out steps (see Fig. 86).
- ▷ Lighting is switched on.

Switching off the lighting when opening the door*

- ▶ Press the navigation arrow repeatedly until the corresponding function is displayed.

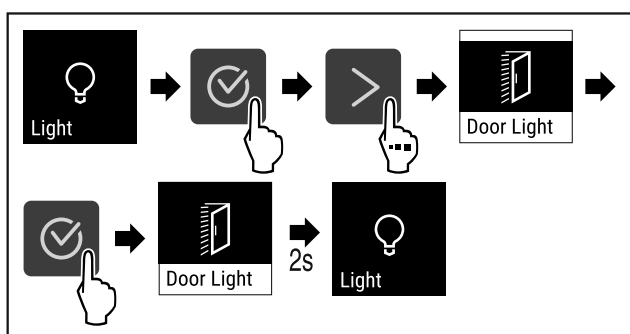


Fig. 87

- ▶ Carry out steps (see Fig. 87).
- ▷ The lighting is switched off when the door is opened.

Switching on the lighting when opening the door*

- ▶ Tap the navigation arrow repeatedly until the corresponding function is displayed.

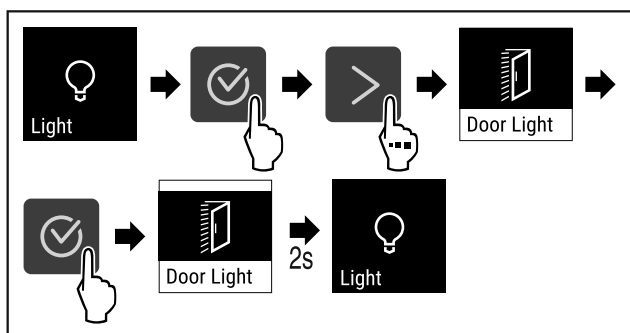


Fig. 88

- ▶ Complete steps (see Fig. 87).
- ▷ The lighting is switched on when the door is opened.

5.3.6 Lighting intensity

This setting allows the interior brightness to be adjusted incrementally.

The following brightness values can be set:

- 20%
- 40%
- 60%
- 80%
- 100% (default)

Setting lighting intensity

- ▶ Press the navigation arrow repeatedly until the corresponding function is displayed.

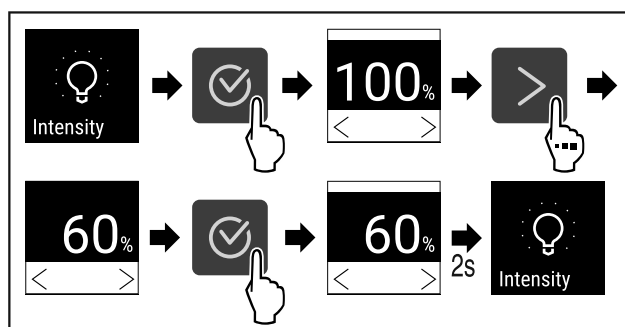


Fig. 89

- ▶ Carry out steps (see Fig. 89).
- ▷ The lighting intensity increases or decreases accordingly.

5.3.7 SuperCool

You can switch to the highest cooling output with this function. This allows you to reach lower cooling temperatures.

Application:

- Cool large amounts of food quickly.

SuperCool switches itself off automatically between 6 and 12 hours, depending on the amount of stored food.

Activating SuperCool

- ▶ Call up settings menu. (see 5.2 Navigation)
- ▶ Tap navigation arrow repeatedly until corresponding function is displayed.

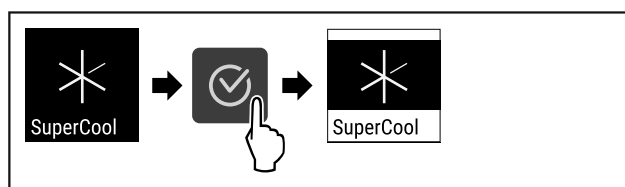


Fig. 90

- ▶ Complete steps (see Fig. 90).
- ▷ SuperCool is activated.

Deactivating SuperCool

- ▶ Call up settings menu. (see 5.2 Navigation)
- ▶ Tap navigation arrow repeatedly until corresponding function is displayed.

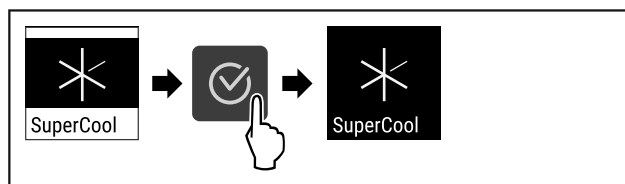


Fig. 91

- ▶ Complete steps (see Fig. 91).
- ▷ SuperCool is deactivated.

5.3.8 SuperFrost

You can switch to the highest freezing output with this function. This allows you to reach lower freezing temperatures.

Use

Application:

- Freeze fresh food quickly to the core. This ensures that the food retains its nutritional value, appearance, and flavor.
- Increase cold reserves in stored frozen items before defrosting the appliance.

SuperFrost switches itself off automatically between 8 and 65 hours, depending on the amount of stored food.

Activating SuperFrost

- ▶ Call up settings menu. (see 5.2 Navigation)
- ▶ Tap navigation arrow repeatedly until corresponding function is displayed.

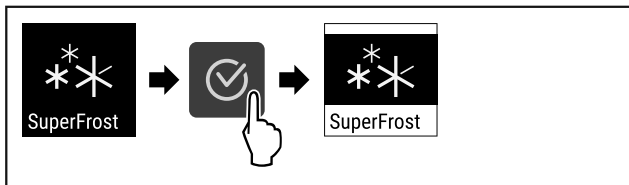


Fig. 92

- ▶ Complete steps (see Fig. 92).
- ▷ SuperFrost is activated.

Deactivating SuperFrost

- ▶ Call up settings menu. (see 5.2 Navigation)
- ▶ Tap navigation arrow repeatedly until corresponding function is displayed.

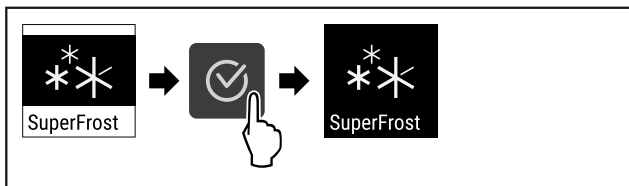


Fig. 93

- ▶ Complete steps (see Fig. 93).
- ▷ SuperFrost is deactivated.



5.3.9 HumiditySelect

The humidity in the fridge compartment can be adjusted depending on the food to be stored.

Application:

- High humidity is suitable for storing unpackaged lettuce, vegetables, fruit with high natural moisture levels.
- Low humidity is suitable for storing dry or packaged food (for example, dairy products, meat, sausages, fish). A relatively dry storage climate is set here.

The following levels can be set:

- Standard
- Medium
- High

Increasing humidity in the appliance

- ▶ Call up settings menu. (see 5.2 Navigation)
- ▶ Tap navigation arrow repeatedly until corresponding function is displayed.

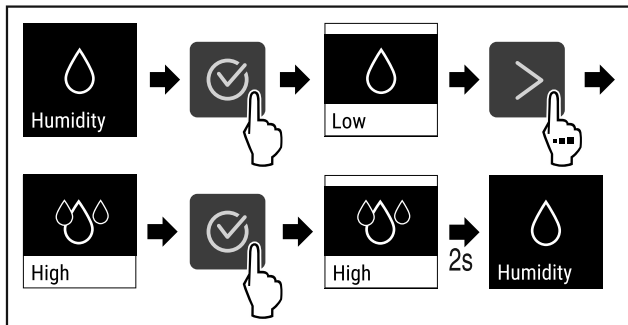


Fig. 94

- ▶ Complete steps (see Fig. 94).
- ▷ Humidity in the appliance increases.

Setting humidity in the appliance to standard

- ▶ Tap the navigation arrow repeatedly until the corresponding function is displayed.

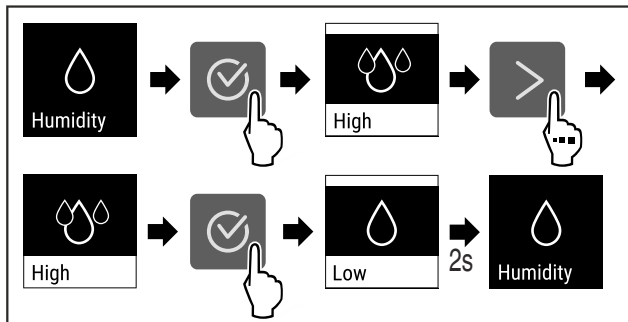


Fig. 95

- ▶ Complete the steps (see Fig. 95).
- ▷ Humidity in the appliance decreases.



5.3.10 Display lock

This setting avoids accidental use of the appliance.

Application:

- Prevent settings and functions being changed unintentionally.
- Prevent the appliance from being switched off unintentionally.
- Prevent the temperature from being adjusted unintentionally.

Activating display lock

- ▶ Open settings menu (see 5.2 Navigation).
- ▶ Press the navigation arrow repeatedly until the corresponding function is displayed.

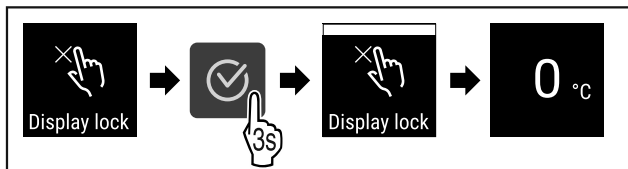


Fig. 96

- ▶ Carry out steps (see Fig. 96).
- ▷ The display lock is activated.
- ▷ The status display appears.

Deactivating the display lock

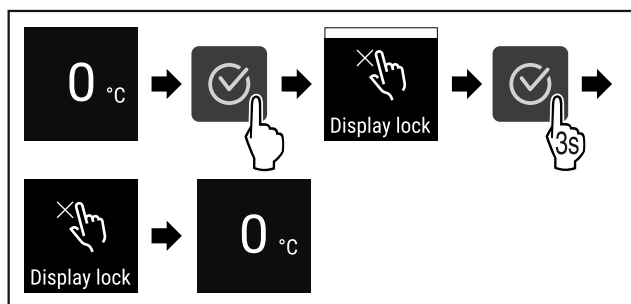


Fig. 97

- ▶ Carry out steps (see Fig. 97).
- ▷ The display lock is deactivated.
- ▷ The status display appears.

5.3.11 Maintenance interval reminder



Setting for the time interval after which a maintenance reminder is issued.

The following values can be set:

- 7 days
- 14 days
- 30 days
- 60 days
- 90 days
- 180 days
- 360 days
- 720 days
- 1080 days
- Off

Setting maintenance interval reminder

The following steps describe how the maintenance interval is set.

- ▶ Call up settings menu. (see 5.2 Navigation)
- ▶ Tap navigation arrow repeatedly until corresponding function is displayed.

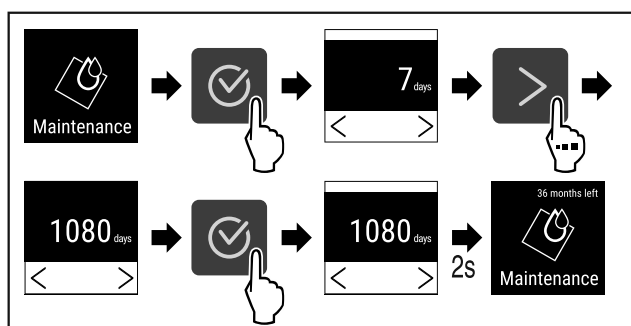


Fig. 98

- ▶ Complete steps (see Fig. 98).
- ▷ The time interval, after which the maintenance reminder is issued, is set.
- ▷ The remaining time is displayed.

5.3.12 Language



This setting allows the display language to be set.

Setting the language

- ▶ Open settings menu (see 5.2 Navigation).

- ▶ Press the navigation arrow repeatedly until the corresponding function is displayed.

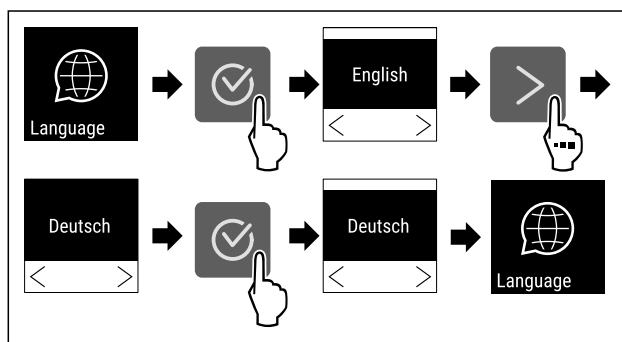


Fig. 99

- ▶ Complete the steps.
- ▷ The selected language is set.

5.3.13 Temperature unit



This setting allows the temperature unit to be changed between degrees Celsius and Fahrenheit.

Setting the temperature unit

The example shows how to change the temperature unit from degrees Celsius to Fahrenheit.

- ▶ Open settings menu (see 5.2 Navigation).
- ▶ Press the navigation arrow repeatedly until the corresponding function is displayed.

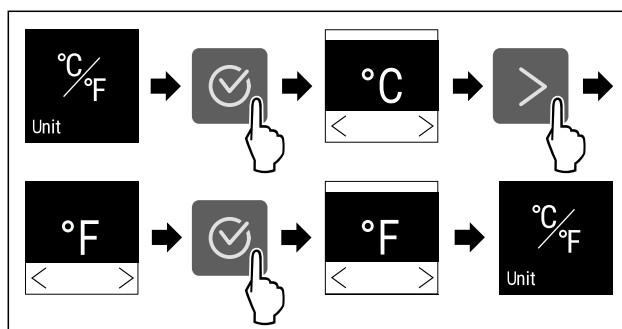


Fig. 100

- ▶ Complete the steps.
- ▷ The temperature unit is set as Fahrenheit.

5.3.14 Display brightness



This setting allows the display brightness to be adjusted incrementally.

The following brightness values can be set:

- 40%
- 60%
- 80%
- 100% (default)

Setting the display brightness

The following steps describe how to reduce the display brightness, e.g. from . 100 % to 40 %.

- ▶ Open settings menu (see 5.2 Navigation).
- ▶ Press the navigation arrow repeatedly until the corresponding function is displayed.

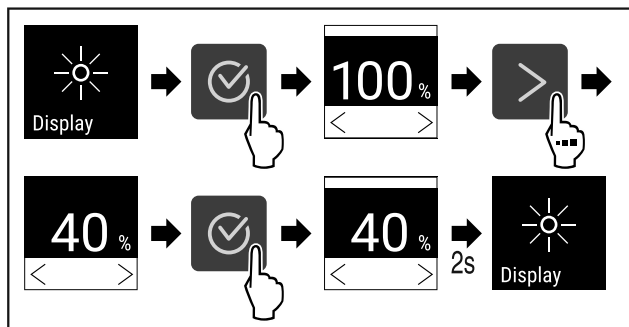


Fig. 101

- ▶ Complete the steps (see Fig. 101) .
- ▷ The display brightness is changed accordingly.

5.3.15 WiFi connection



Note

Liebherr SmartMonitoring Dashboard is not available in all countries. Check availability via the QR code by entering your model.

Note

Use of the Liebherr SmartMonitoring Dashboard at <https://smartmonitoring.liebherr.com> requires installation of a SmartModule and a commercial MyLiebherr account. When commissioning online you can register using your login data, or register again and create a company account.

This setting establishes a wireless connection between the appliance and the internet. The connection is controlled via the SmartModule. The appliance can be integrated via the browser-based [Liebherr SmartMonitoring Dashboard](#) and advanced options and customized methods relating to control, administration and monitoring can be used.

Note

Accessories are available from Customer Service (see 8.3 Customer Service) and the Liebherr-Hausgeräte store at home.liebherr.com/shop/de/deu/zubehor.html.

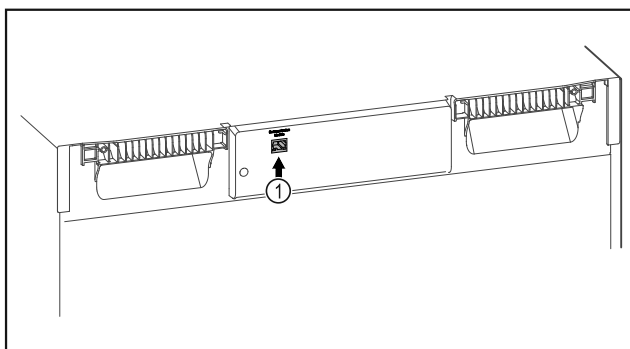


Fig. 102

Make sure that the following requirements are fulfilled:

- SmartModule Fig. 102 (1) is in use.

Establishing a connection

You commission and set up your SmartModule online via the [Liebherr SmartMonitoring Dashboard](#) on your web-enabled device.

On the [Liebherr SmartMonitoring Dashboard](#) information is also available about retrofitting the SmartModule.



Fig. 103

- ▶ Open the [Liebherr SmartMonitoring Dashboard](#) (see Fig. 103) .

On the fridge or freezer:

- ▶ Open the settings menu. (see 5.2 Navigation)
- ▶ Tap navigation arrow repeatedly until corresponding function is displayed.

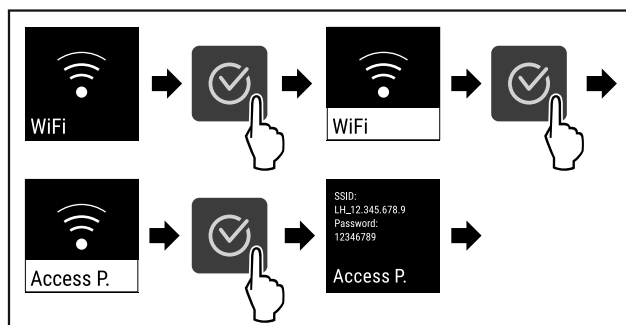


Fig. 104

- ▶ Carry out action steps according to the illustration.
- ▶ Continue the set-up procedure on your web-enabled device: [Liebherr SmartMonitoring Dashboard](#)

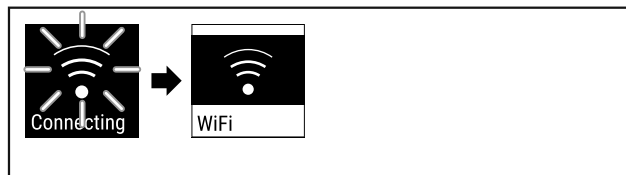


Fig. 105

- ▶ Connection is established.
- ▷ WiFi connecting appears. The symbol flashes.
- ▶ Follow the [Liebherr SmartMonitoring Dashboard](#) instructions.
- ▷ Connection is established.

Disconnecting

- ▶ Open the settings menu. (see 5.2 Navigation)
- ▶ Tap navigation arrow repeatedly until corresponding function is displayed.

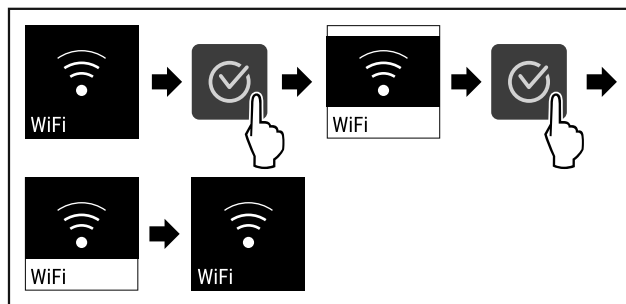


Fig. 106

- ▶ Carry out action steps according to the illustration.
- ▷ There is no connection.

Resetting connection

- ▶ Open the settings menu. (see 5.2 Navigation)
- ▶ Tap navigation arrow repeatedly until corresponding function is displayed.

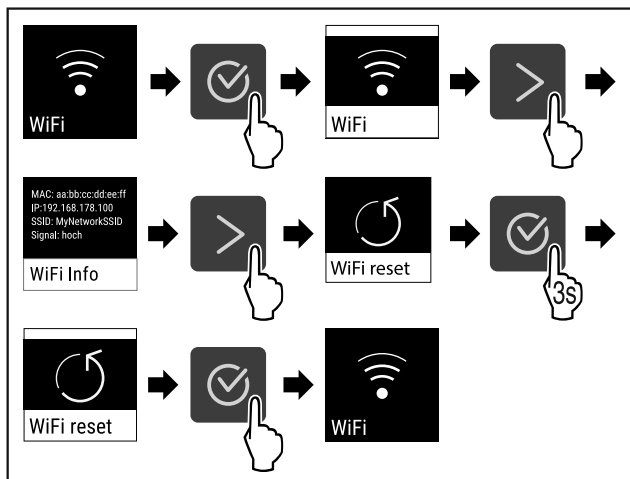


Fig. 107

- ▶ Carry out action steps according to the illustration.
- ▷ The WiFi settings are restored to the factory settings.



5.3.16 LAN connection

Note

Liebherr SmartMonitoring Dashboard is not available in all countries. Check availability via the QR code by entering your model.

Note

Use of the Liebherr SmartMonitoring Dashboard at <https://smartmonitoring.liebherr.com> requires installation of a SmartModule and a commercial MyLiebherr account. When commissioning online you can register using your login data, or register again and create a company account.

This setting establishes a wired connection between the appliance and the internet. The connection is controlled via the SmartModule and a commercial MyLiebherr account. The appliance can be integrated via the browser-based [Liebherr SmartMonitoring Dashboard](#) and advanced options and customized methods relating to control, administration and monitoring can be used.

Note

Accessories are available from Customer Service (see 8.3 Customer Service) and the Liebherr-Hausgeräte store at home.liebherr.com/shop/de/deu/zubehor.html.

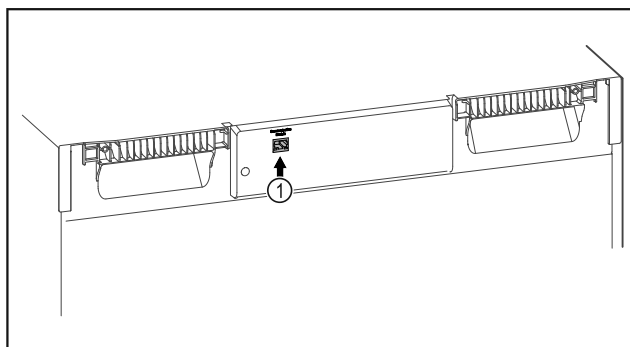


Fig. 108

Make sure that the following requirements are fulfilled:

- SmartModule Fig. 108 (1) is in use.
- A network cable is connected.

Establishing a connection

You commission and set up your SmartModule online via the [Liebherr SmartMonitoring Dashboard](#) on your web-enabled device.

On the [Liebherr SmartMonitoring Dashboard](#) information is also available about retrofitting the SmartModule.



Fig. 109

- ▶ Open the [Liebherr SmartMonitoring Dashboard](#) (see Fig. 109).

On the fridge or freezer:

- ▶ Call up the settings menu. (see 5.2 Navigation)
- ▶ Tap navigation arrow repeatedly until corresponding function is displayed.

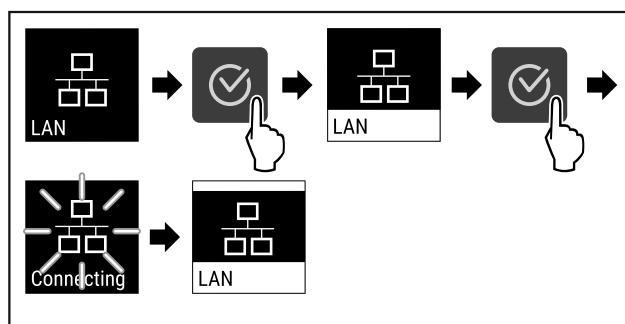


Fig. 110

- ▶ Carry out action steps according to the illustration.
- ▷ Connection is established: LAN connecting appears. The symbol flashes.
- ▶ Follow the [Liebherr SmartMonitoring Dashboard](#) instructions.
- ▷ Connection is established.

Disconnecting

- ▶ Call up the settings menu. (see 5.2 Navigation)
- ▶ Tap navigation arrow repeatedly until corresponding function is displayed.

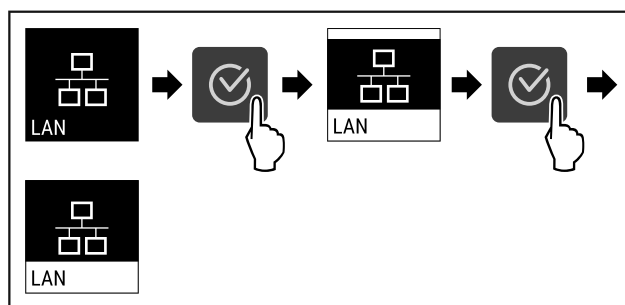


Fig. 111

- ▶ Carry out action steps according to the illustration.
- ▷ There is no connection.



5.3.17 Info

This display shows the model, serial number and service number of the appliance.

Displaying Info

- ▶ Press the navigation arrow repeatedly until the corresponding function is displayed.

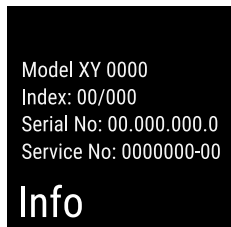


Fig. 112

▷ The appliance information appears.

5.3.18 Operating hours



The display shows the appliance operating hours.

Displaying operating hours

▶ Open the customer menu .

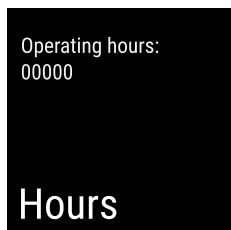


Fig. 113

▷ The operating hours appear.

5.3.19 Software



The display shows the software version of the appliance.

Displaying the software version

- ▶ Open the customer menu .
- ▶ Press the navigation arrow repeatedly until the corresponding function is displayed.

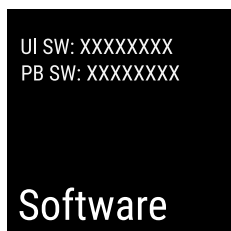


Fig. 114

▷ The software version is shown.

5.3.20 Defrosting



The appliance defrosts automatically in normal mode.

Application:

- If there is excessive ice in the interior, the defrosting function can be started manually.
- Only the cooling part is defrosted.

Manually starting automatic defrosting

▶ Tap navigation arrow repeatedly until corresponding function is displayed.

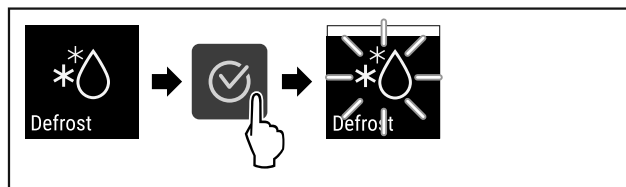


Fig. 115

- ▶ Carry out action steps according to the illustration.
- ▷ Automatic defrosting has been started. The appliance automatically switches back to normal mode once defrosting has finished.

Note

If there is still ice in the interior after starting automatic defrosting several times, defrost the appliance manually. (see 7.1 Defrosting the appliance)

Canceling manually started defrosting

▶ Tap navigation arrow repeatedly until corresponding function is displayed.

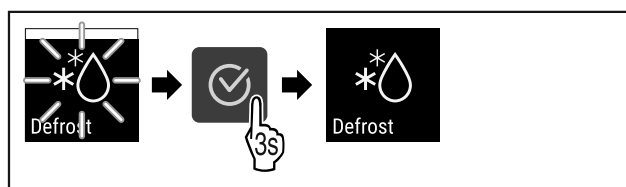


Fig. 116

- ▶ Carry out action steps according to the illustration.
- ▷ Manually started defrosting is canceled. The appliance automatically switches back to normal mode.

5.3.21 Door alarm



Set the time interval after which the door alarm sounds when the door is opened.

The following values can be set:

- 15 seconds
- 30 seconds
- 60 seconds
- 90 seconds
- 120 seconds
- 150 seconds
- 180 seconds
- Off

Setting the door alarm

The following steps describe how to set the time interval before the door alarm sounds.

- ▶ Open settings menu (see 5.2 Navigation) .
- ▶ Press the navigation arrow repeatedly until the corresponding function is displayed.

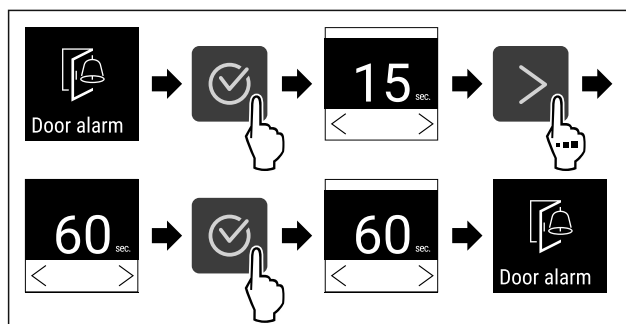


Fig. 117

- ▶ Carry out steps (see Fig. 117) .
- ▷ The door alarm is set.

Deactivating the door alarm

The following steps describe how to deactivate the door alarm.

- ▶ Open settings menu (see 5.2 Navigation) .
- ▶ Press the navigation arrow repeatedly until the corresponding function is displayed.

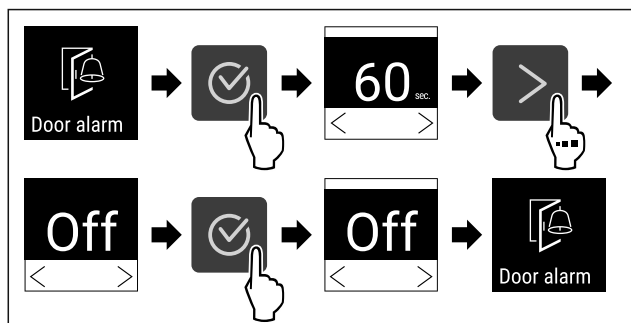


Fig. 118

- ▶ Carry out steps (see Fig. 118) .
- ▷ The door alarm is deactivated.



5.3.22 Light alarm

This setting allows the visual alarm messages in the display to also be emphasized by flashing appliance lighting.

Activating the light alarm

- ▶ Open settings menu (see 5.2 Navigation) .
- ▶ Press the navigation arrow repeatedly until the corresponding function is displayed.

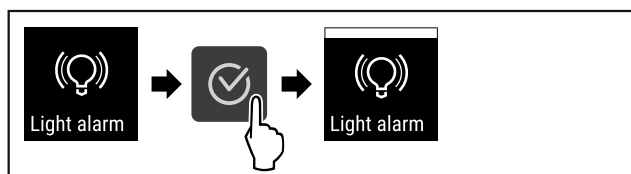


Fig. 119

- ▶ Carry out steps (see Fig. 119) .
- ▷ The light alarm is activated.

Deactivating the light alarm

- ▶ Open settings menu (see 5.2 Navigation) .
- ▶ Press the navigation arrow repeatedly until the corresponding function is displayed.

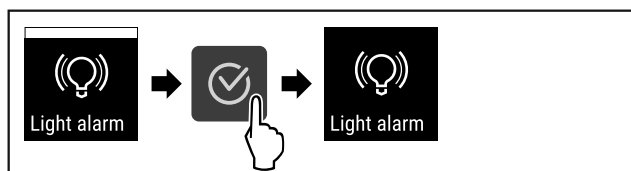


Fig. 120

- ▶ Carry out steps (see Fig. 120) .
- ▷ The light alarm is deactivated.



5.3.23 Demo mode

Demo mode is a special feature for dealers who want to demonstrate appliance features. If you activate demo mode, all refrigeration functions are deactivated.

If you switch on your appliance and a "D" appears on the status display, demo mode is already activated.

If you activate and then deactivate demo mode, the appliance will be reset to factory defaults. (see 5.3.24 Factory reset)

Activating demo mode



Fig. 121

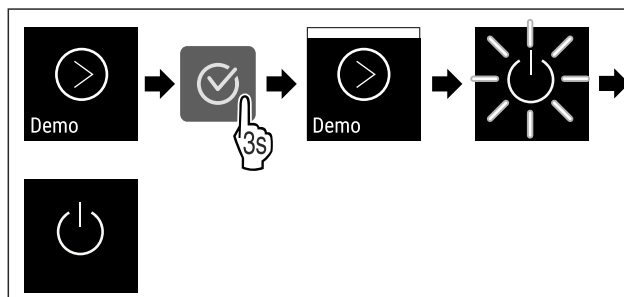


Fig. 122

- ▶ Carry out action steps according to the illustration.
- ▷ Demo mode is activated.
- ▷ Appliance is switched off.
- ▶ Switch on the appliance. (see 3.15 Switching on the appliance (first use))
- ▷ "D" appears in the status display.

Deactivating demo mode



Fig. 123

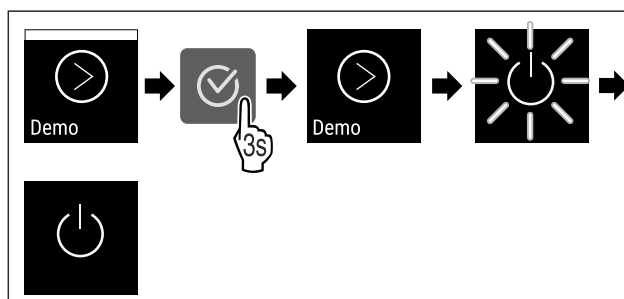


Fig. 124

- ▶ Carry out action steps according to the illustration.
- ▷ Demo mode is deactivated.
- ▷ Appliance is switched off.
- ▶ Switch on the appliance. (see 3.15 Switching on the appliance (first use))
- ▷ Appliance is reset to factory settings.



5.3.24 Factory reset

This function resets the appliance to the factory settings. All settings made up to this point are reset to their original values.

Performing factory reset

- ▶ Open the customer menu.
- ▶ Press the navigation arrow repeatedly until the corresponding function is displayed.

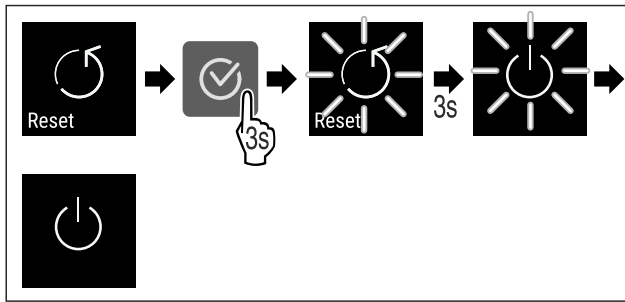


Fig. 125



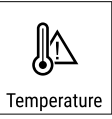


► Carry out action steps according to the illustration.



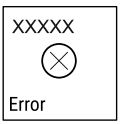

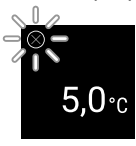





- ▷ Factory reset has been carried out.
- ▷ Appliance is switched off.
- Restart the appliance. (see 3.15 Switching on the appliance (first use))

5.4 Messages



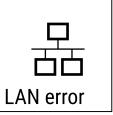

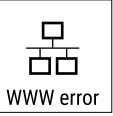

5.4.1 Warnings

Warnings are issued by means of an audio signal and visually via a symbol on the display. The signal gets louder until the warning is acknowledged.

Message	Cause	Remedy
 Door open Door open	The message appears if the door is open for too long.	<ul style="list-style-type: none"> ► Close the door.  <ul style="list-style-type: none"> ► Press confirmation button. ► Alarm stops. <p>Note You can set how long it takes for this message to appear (see 5.3.21 Door alarm).</p>
 Temperature Temperature alarm	This message appears if the temperature does not match the set temperature. Reasons for the differences in temperature can be: <ul style="list-style-type: none"> - Warm items for refrigeration have been placed inside. - Too much warm room air flowed in when rearranging and removing refrigerated products. - The power was cut off for a prolonged period. 	 <ul style="list-style-type: none"> ► Press confirmation button. ► The highest temperature is shown.  <ul style="list-style-type: none"> ► Press confirmation button. ► The current temperature flashes and the display shows the temperature alarm symbol until the set temperature is reached. ► Check the condition of the refrigerated items.



Message	Cause	Remedy
 <p>Error</p> <p>Error</p>	<p>The appliance is malfunctioning, there is an appliance error or a component of the appliance has a fault.</p>	<ul style="list-style-type: none"> ▶ Store the refrigerated items elsewhere.  <ul style="list-style-type: none"> ▶ Press confirmation button. <ul style="list-style-type: none"> ▶ Error code is displayed.   <ul style="list-style-type: none"> ▶ Press confirmation button. ▶ A further error code is displayed should there be one. <p>or</p> <ul style="list-style-type: none"> ▶ Status screen is displayed with flashing  <p>arrow symbol</p> <ul style="list-style-type: none"> ▶ Pressing the navigation buttons displays the error code(s) again. ▶ Make a note of error code(s) and contact Customer Service.
 <p>Power</p> <p>Power failure</p>	<p>The message appears after an interruption to the power supply if the temperature is above the alarm limit when the power returns.</p>	 <ul style="list-style-type: none"> ▶ Press confirmation button. <p>The highest temperature and number of electrical interruptions are displayed.</p>  <ul style="list-style-type: none"> ▶ Press confirmation button. ▶ Alarm is stopped and current temperature is displayed. ▶ Check the condition of the refrigerated items.
 <p>WiFi error</p> <p>WiFi error</p>	<p>WiFi connection is interrupted.</p>	<ul style="list-style-type: none"> ▶ Check connection.  <ul style="list-style-type: none"> ▶ Press confirmation button. ▶ Alarm stops.

Equipment

 <p>WWW error, WiFi</p>	<p>This message appears if there is no Internet connection via WiFi.</p>	<p>▶ Check connection.</p>  <p>▶ Press confirmation button. ▶ Alarm stops.</p>
 <p>LAN error</p>	<p>LAN connection is interrupted.</p>	<p>▶ Check connection and network cable.</p>  <p>▶ Press confirmation button. ▶ Alarm stops.</p>
 <p>WWW error, LAN</p>	<p>This message appears if there is no Internet connection via WiFi.</p>	<p>▶ Check connection.</p>  <p>▶ Press confirmation button. ▶ Alarm stops.</p>

5.4.2 Reminders

Reminders appear when you are prompted to take action. They are issued by means of an audio signal and visually via a symbol on the display. Acknowledge the message by pressing the confirmation button.

Message	Cause	Remedy
 <p>Maintenance reminder</p>	<p>The message appears when the timer for the set maintenance interval has expired.</p>	 <p>▶ Press confirmation button. ▶ Alarm stops.</p> <p>Note The maintenance interval can be set (see 5.3.11 Maintenance interval reminder).</p>

6 Equipment

6.1 Safety lock

The lock in the appliance door is equipped with a safety mechanism.

6.1.1 Locking appliance

Lock freezer compartment.

- ▶ Insert key.
- ▶ Turn key clockwise by 45°.
- ▷ The freezer compartment is locked.

Lock freezer and fridge compartment.

- ▶ Insert key.
- ▶ Turn key clockwise by 90°.
- ▷ The freezer and fridge compartment is locked.

6.1.2 Unlocking appliance

Unlock fridge compartment.

- ▶ Insert key.
 - ▶ Turn key anticlockwise by 45°.
 - ▷ The fridge compartment is unlocked.
- Unlock freezer and fridge compartment.**
- ▶ Insert key.
 - ▶ Turn key anticlockwise by 90°.
 - ▷ The freezer and fridge compartment is unlocked.

7 Maintenance

7.1 Defrosting the appliance



WARNING

Appliance incorrectly defrosted!
Injuries and damage.

- ▶ Do not use mechanical devices or other means to accelerate the defrosting process, other than those recommended by the manufacturer.
- ▶ Do not use any electrical heating or steam cleaning equipment, naked flames or defrosting sprays.
- ▶ Do not remove ice with sharp objects.

Defrosting is performed automatically. The water from the defrosting process runs out via the drain opening and is evaporated.

To maintain the functionality of the appliance, we recommend defrosting it when there is a high buildup of ice. Icing in the interior is determined by the location (e.g. high humidity), settings on the appliance and incorrect user behavior.

Manual defrosting:

- ▶ Switch off appliance. (see 5.3.2 Switching appliance on and off)
- ▶ Disconnect power plug.
- ▶ Store refrigerated items elsewhere.
- ▶ Leave the appliance door open during defrosting process.
- ▶ Soak up remaining defrost water with a cloth, clean the drain opening and the appliance.

7.2 Cleaning the appliance

7.2.1 Preparing



WARNING

Short-circuit hazard due to live parts!
Electric shock or damage to the electronics.

- ▶ **Switch off the appliance.**
- ▶ Pull out mains plug or switch off fuse.



WARNING

Danger of fire

- ▶ Do not damage the refrigerant circuit.

- ▶ Empty the appliance.
- ▶ Pull out the power plug.

7.2.2 Cleaning the housing

NOTICE

Improper cleaning!
Damage to the appliance.

- ▶ Only use soft cleaning cloths and ph-neutral all-purpose cleaners.
- ▶ Do not use steel wool or sponges that scour or scratch.
- ▶ Do not use caustic or abrasive cleaning materials or those containing sand, chloride, or acids.



WARNING

Risk of injury or damage due to hot steam.
Hot steam can cause scalding/burns and damage to surfaces.

- ▶ Do not use steam cleaners.

NOTICE

Risk of damage due to short circuit.

- ▶ When cleaning the appliance, make sure no water gets into the electrical components.

- ▶ Wipe the housing down with soft, clean cloth. If very dirty, use lukewarm water with a neutral cleaner. Glass surfaces can also be cleaned with glass cleaner.
- ▶ Clean the condenser coil every year. If the condenser coil is not cleaned, this significantly reduces the efficiency of the appliance.

7.2.3 Cleaning fan cover

NOTICE

Risk of damage due to short circuit.

- ▶ When cleaning the appliance, make sure no water gets into the electrical components.

NOTICE

Improper cleaning!

Damage to the appliance.

- ▶ Only use soft cleaning cloths and ph-neutral all-purpose cleaners.
- ▶ Do not use steel wool or sponges that scour or scratch.
- ▶ Do not use caustic or abrasive cleaning materials or those containing sand, chloride, or acids.

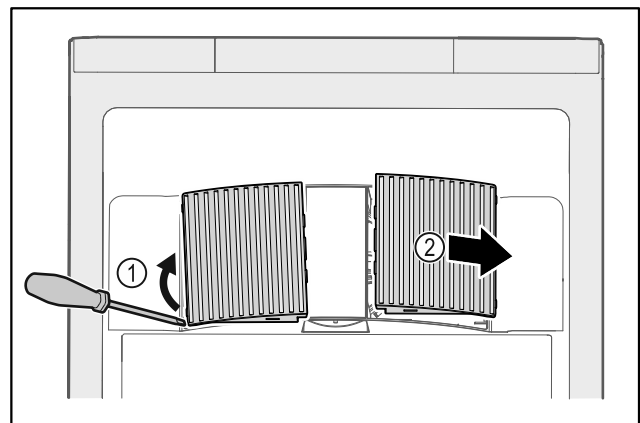


Fig. 126

- ▶ Carefully lever out fan covers from the side Fig. 126 (1) and remove towards the front Fig. 126 (2).
- ▶ Rinse the air slots of the fan covers under running water. If very dirty, use lukewarm water with a neutral cleaner.
- ▶ Leave fan covers to air-dry completely.
- ▶ Reattach fan covers to the appliance.

7.2.4 Cleaning the interior



WARNING

Short-circuit hazard due to live parts!
Electric shock or damage to the electronics.

- ▶ **Switch off the appliance.**
- ▶ Pull out mains plug or switch off fuse.



WARNING

Risk of injury or damage due to hot steam.

Hot steam can cause scalding/burns and damage to surfaces.

- ▶ Do not use steam cleaners.

Customer support

NOTICE

Improper cleaning!
Damage to the appliance.

- ▶ Only use soft cleaning cloths and ph-neutral all-purpose cleaners.
- ▶ Do not use steel wool or sponges that scour or scratch.
- ▶ Do not use caustic or abrasive cleaning materials or those containing sand, chloride, or acids.

Note

- ▶ Defrost water drain (see 1.2 Overview of appliance and equipment) : Remove deposits using a thin object (e.g. a cotton bud).

Note

Do not damage or remove the type plate on the inside of the appliance. The type plate is important for Customer Service. (see 8.3 Customer Service)

- ▶ Open the door.
- ▶ Empty the appliance.
- ▶ Clean the interior and equipment parts with lukewarm water and a little dish detergent. Do not use any gritty or acidic cleaning agent or any chemical solvent.

7.2.5 After cleaning

- ▶ Wipe the appliance and equipment parts dry.
- ▶ Connect and switch on appliance.
When the temperature is sufficiently cold:
- ▶ Place in items for refrigeration.
- ▶ Clean regularly.
- ▶ Clean and dust appliances with a heat exchanger (metal grill on rear of appliance) once per year.

8 Customer support

8.1 Technical data

Temperature range	
Refrigeration	+1 °C to +15 °C

Temperature range	
Freezing	-9 °C to -26 °C

Maximum load per shelf ^{A)}		
Appliance width	600 mm	750 mm
Grid shelves	45 kg	60 kg
Glass shelf	40 kg	40 kg
Wooden grid shelf	45 kg	60 kg

A) Heavier loads may result in a slight bending of the shelves.

Maximum net capacity
See net capacity on the type plate. (see 1.2 Overview of appliance and equipment)

Lighting	
Energy efficiency class ^{A)}	Light sources
This product contains one or more energy efficiency class F light sources	LED

A) The appliance may contain light sources with different energy efficiency classes. The lowest energy efficiency class is indicated.

8.2 Technical malfunction

Your appliance is designed and built to ensure it works reliably and has a long service life. If a malfunction nonetheless occurs during operation, please check whether the malfunction is due to an operating error. If this is the case, you will be charged for the cost incurred even if this falls within the warranty period.

You can rectify the following malfunctions yourself.

8.2.1 Appliance function

Defect	Cause	Remedy
The appliance is not working.	→ The appliance is not switched on.	▶ Switch on the appliance.
	→ The power plug is not properly inserted in the socket.	▶ Check the power plug.
	→ There is a problem with the wall socket breaker.	▶ Check the breaker.
	→ Power failure	▶ Keep the appliance closed. ▶ Protect food: Place cold storage accumulators on top of the food or use another freezer if the power is off for a prolonged period. ▶ Do not re-freeze defrosted food.
	→ The appliance power plug is not correctly inserted in the appliance.	▶ Check the appliance power plug.
The temperature is not cold enough.	→ The appliance door is not closed properly.	▶ Close the appliance door.
	→ Ventilation is not sufficient.	▶ Unclog the ventilation grill and clean it.
	→ The ambient temperature is too high.	▶ Observe the suitable ambient conditions: (see 1.4 Range of appliance use)

Defect	Cause	Remedy
	→ The appliance was opened too many times or for too long.	▶ Wait to see if the required temperature is achieved once again on its own. If not, contact Customer Service (see 8.3 Customer Service) .
	→ The temperature is set incorrectly.	▶ Set a colder temperature and check after 24 hours.
	→ The appliance is too close to a heat source (stove, heater etc).	▶ Move either the appliance or the heat source.

8.3 Customer Service

First check whether you can remedy the fault yourself . If this is not the case, please contact Customer Service.

You can find the address in the enclosed brochure "Liebherr-Service" or at home.liebherr.com/service.



WARNING

Unprofessional repair!
Injuries.

- ▶ Repairs and work on the appliance and the power supply cable not described in the Manual (see 7 Maintenance) should only be carried out by a qualified service provider.
- ▶ A damaged power cable may only be replaced by the manufacturer, the manufacturer's Customer Service or a similarly qualified person.
- ▶ For appliances with an IEC connector, the change can be made by the customer.

8.3.1 Contacting Customer Service

Make sure you have the following appliance information ready:

- Appliance name (model and index)
- Service no. (service)
- Serial no. (S no.)
- ▶ Access the appliance information via the display (see 5.3.17 Info) .
- or-
- ▶ Refer to the type plate for appliance information. (see 8.4 Type plate)
- ▶ Note appliance information.
- ▶ Inform Customer Service: Report faults and the appliance information.
- ▷ This will help us to provide fast and focused service.
- ▶ Follow any further instructions provided by Customer Service.

8.4 Type plate

The type plate is inside the appliance. See appliance overview.

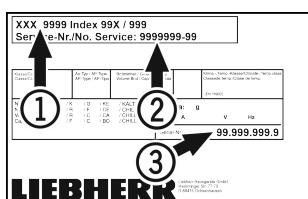


Fig. 127

- (1) Appliance designation (3) Serial No.
(2) Service No.

9 Shutting down

- ▶ Empty the appliance.
- ▶ Switch off appliance.
- ▶ Pull out the power plug.
- ▶ Remove appliance connector if required: remove and at the same time move from left to right.
- ▶ Clean the appliance. (see 7.2 Cleaning the appliance)
- ▶ Leave the door open so that no bad odors form.

Note

Damage to the appliance and malfunctions!

- ▶ After shutting down, only store the appliance at the permitted room temperature of between -10 °C and +50 °C.

10 Disposal

10.1 Preparing appliance for disposal



Liebherr uses batteries in some of its appliances. In the EU, for environmental reasons, legislation obliges the end user to remove these batteries before disposing of the old appliances. If your appliance contains batteries, a corresponding notice is attached to the appliance.

Lamps If you can remove the lamps yourself without destroying them, also remove these before disposal.

- ▶ Take the appliance out of operation.
- ▶ Appliance with batteries: Remove the batteries. For description, see **Maintenance** chapter.
- ▶ If possible: Remove lamps without destroying them.

10.2 Disposing of the appliance in an environmentally friendly manner



The appliance still contains valuable materials and must be collected separately from unsorted municipal waste so it can be recycled.



Dispose of batteries separately from the old appliance. You can do this by returning the batteries free of charge to retailers or taking them to recycling centers and collection centers for recyclable materials.

Additional information

Lamps	Dispose of removed lamps via the respective collection systems.
For Germany:	You can dispose of the appliance free of charge via the class 1 collection containers at the local recycling and recyclable material collection centers. When purchasing a new fridge/freezer, if the sales area > 400 m ² , retailers will also take back the old appliance free of charge.



WARNING

Leaking refrigerant and oil!

Fire. The refrigerant contained within the appliance is environmentally friendly, but flammable. The oil contained within the appliance is flammable. Escaping refrigerant and oil can ignite if they are of high enough concentration and are exposed to an external heat source.

- ▶ Do not damage the pipelines of the coolant circuit and the compressor.
-
- ▶ Transport the appliance away without damaging it.
 - ▶ Dispose of batteries, lamps, and the appliance according to the above specifications.

11 Additional information

Further information on warranty conditions can be found in the enclosed service brochure or on the Internet at <https://home.liebherr.com>.



home.liebherr.com/fridge-manuals

EN Refrigerator and freezer
ORIGINAL OPERATOR'S MANUAL

Issue date: 20230907

Part number index: 7080782-00

Liebherr-Hausgeräte GmbH
Memminger Straße 77-79
88416 Ochsenhausen
Deutschland