

ALARMS

Each channel has a distinct electronic tone that sounds at the end of its timing period. Channel One has one repeating beep; Channel Two has two repeating beeps; and Channel Three has three repeating beeps. A channel's tone will sound for 1 minute then shut off automatically to preserve battery life.


CLEARING THE DISPLAY TO ZERO

Press and hold (approximately 2 seconds) the **1**, **2**, or **3** button to clear the display to zero for Channel One, Two, or Three respectively. If no channel is active, pressing and holding the **1**, **2**, or **3** button will shut off the unit entirely.

TIMER OPERATION

All three timing channels work essentially the same way, so once you understand how Channel One operates, Channels Two and Three will seem extra easy.

SETTING A COUNTDOWN TIME

1. Press the **1** button, digital display will then show all zeros. The  symbol will be below the **1** button indicating Channel One is displayed.
2. Set the hours to be timed: Press the **H** button until the desired number of hours are displayed. For rapid advancement, press and hold button.
3. Set the minutes to be timed: Press the **M** button until the desired number of minutes are displayed. For rapid advancement, press and hold button.
4. Set the seconds to be timed: Press the **S** button until the desired number of seconds are displayed. For rapid advancement, press and hold button.
5. When the desired amount of time is showing on the digital display, simply press the **1** button to begin timing. You'll know timing has begun when the seconds start counting down.

6. A single repeating electronic tone will sound at the end of the timing period and the symbol below the **1** button indicates status of the timing operation. (See "Channel Indicators" table).
7. To reset a channel to zero, to turn off a channel, or to turn off a channel while it is timing, simply press and hold down the appropriate channel (Channel One, Two or Three) for two seconds.

NOTE: The tone will continue to sound for 1 minute or until it is turned off. To turn off the tone, simply press the **1** button and release.

EXAMPLES

Channels Two and Three operate the same way as Channel One, except you press the **2** button for Channel Two or the **3** button for Channel Three in every instance you pressed the **1** button when timing in Channel One. Two examples are given.

Example 1

Time 1 hour, 20 minutes, and 30 seconds in Channel 2:

1. Press **2** button.
2. Press **H** button once to read "1".
3. Press **M** button until display reads "20" minutes.
4. Press **S** button until display reads "30" seconds.
5. Press **2** button to start timing.
6. When the tone (two repeating beeps) sounds, press **2** button to turn it off.

Example 2

Time 9 hours, 15 minutes, and 10 seconds in Channel 3:

1. Press **3** button.
2. Press **H** button until display reads "9" hours.
3. Press **M** button until display reads "15" minutes.
4. Press **S** button until display reads "10" seconds.

5. Press **3** button to start timing.

6. When the tone (three repeating beeps) sounds, press **3** button to turn it off.

REVIEWING THE TIME REMAINING IN A CHANNEL

If you want to review the time remaining in a channel not currently being displayed, simply press the appropriate channel button—**1**, **2**, or **3**—and the display will switch to show the time remaining in that channel.

Two or more alarms sounding simultaneously If two or more electronic tones sound at one time, the highest numbered channel's alarm will be sounding; however, all completed timing periods will be indicated on the display. As you turn off the highest channel tone, you will then hear the next highest channel's alarm. For example, if the timing periods in both Channels Two and Three are completed, you will hear Channel Three's tone until you press the **3** button; then you will hear Channel Two's tone until you press the **2** button.

ALL OPERATIONAL DIFFICULTIES

If this timer does not function properly for any reason, please replace the batteries with new, high-quality batteries (see "Battery Replacement" section). Low battery power can occasionally cause any number of "apparent" operational difficulties. Replacing the batteries with new, fresh batteries will solve most difficulties.

ORIGINAL™ TRACEABLE® LAB TIMER INSTRUCTIONS

SPECIFICATIONS

Display: ¼" high, 5-digit LCD
Timing capacity: 9 hrs, 59 mins, 59 sec

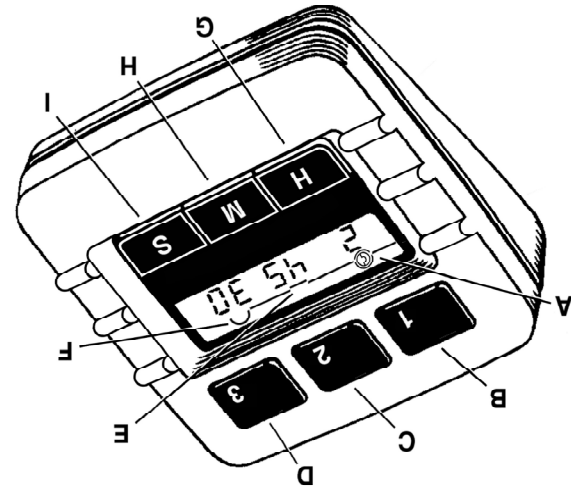
Resolution: 1 sec

Accuracy: 0.001%

Size, weight: 3 x 3 x 1 ½", 4 oz

QUICK REFERENCE

- A- Channel is displayed
- B- Channel One (1) button
- C- Channel Two (2) button
- D- Channel Three (3) button
- E- Channel is not timing or displayed
- F- Channel is timing but is not displayed
- G- Hours (H) button
- H- Minutes (M) button I - Seconds (S) button



CHANNEL STATUS	INDICATOR	Channel Indicators report the status of each channel.
Channel is displayed		Channel's time has expired and is displayed
Channel is not timing or displayed	—	Channel's time has expired but is not displayed
Channel is timing but not displayed		Channel's time has expired and is displayed
Channel is timing		Channel's time has expired but is not displayed
Channel is not timing or displayed		Channel's time has expired and is displayed

Channel Indicators

BATTERY REPLACEMENT

To replace the batteries, remove the back housing of the timer by giving the large screw on the back of the unit a half turn with a coin or screwdriver, then replace batteries as shown using two "AA" alkaline batteries. (Do not use regular or heavy-duty batteries. They do not have sufficient power to drive the unit.)

After inserting batteries, ensure the timer display is operating normally. During timing operation flashing segments may appear on the display. If this happens simply reset by removing and reinserting the batteries. Each set of batteries should last 1 to 2 years under normal conditions. The LCD display will remain blank when batteries need to be replaced.